

Telaio/ with raised casing

SWING DOOR



 **DAYORIS**
DOORS

Types of Applications

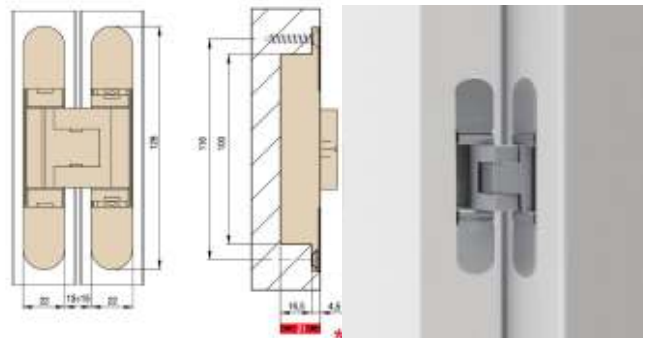


Finishes

Primed / Laminated Import

Laminated Suncrest / Matte Lacquer

Wood veneer



What's included

Technical Specifications:
 Solid Core Door Slab
 Finish – Designer's choice
 Hinges – CEAM Italia 3D adjustable
 Frame – Wood finished
 Handset – DAYORIS Italia
 Mortise – Bonaiti Magnetic
 Design – Designers Choice

Frame Profile

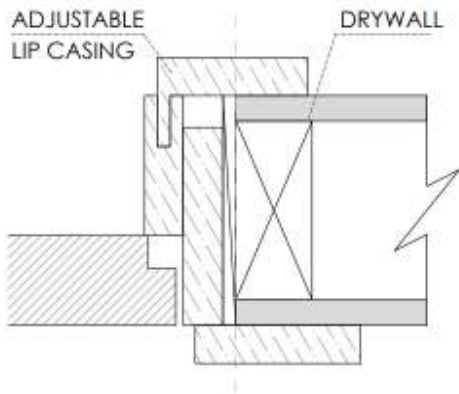


Adaptable Lip Casing

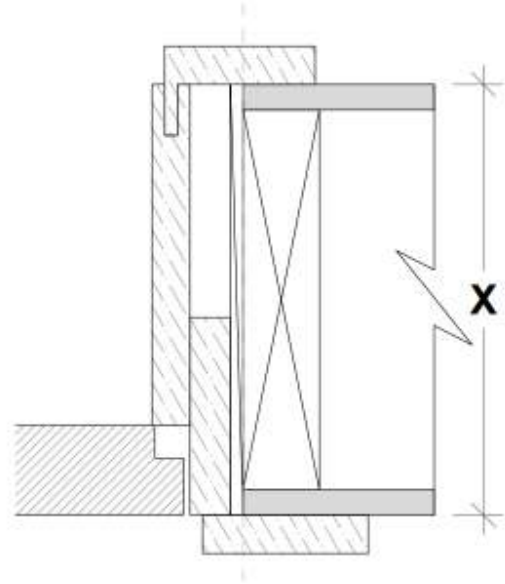
* Optional Upgrades

Benefits of Telaio/ with raised casing

Drywall Return



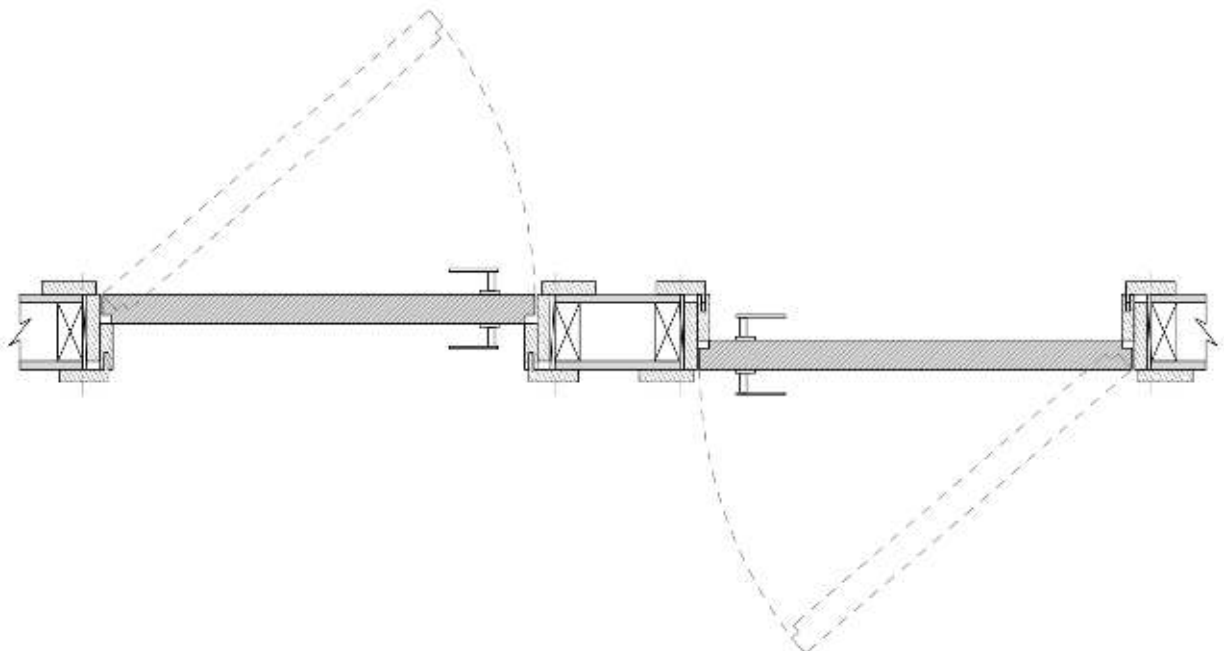
Any Wall Thickness



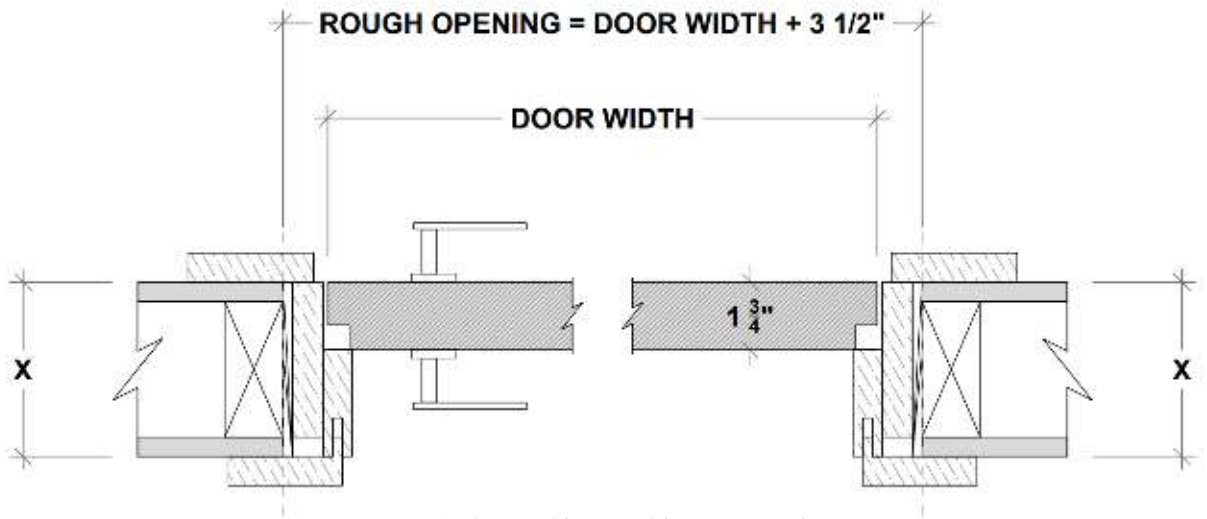
Door orientation

In-swing recessed in wall

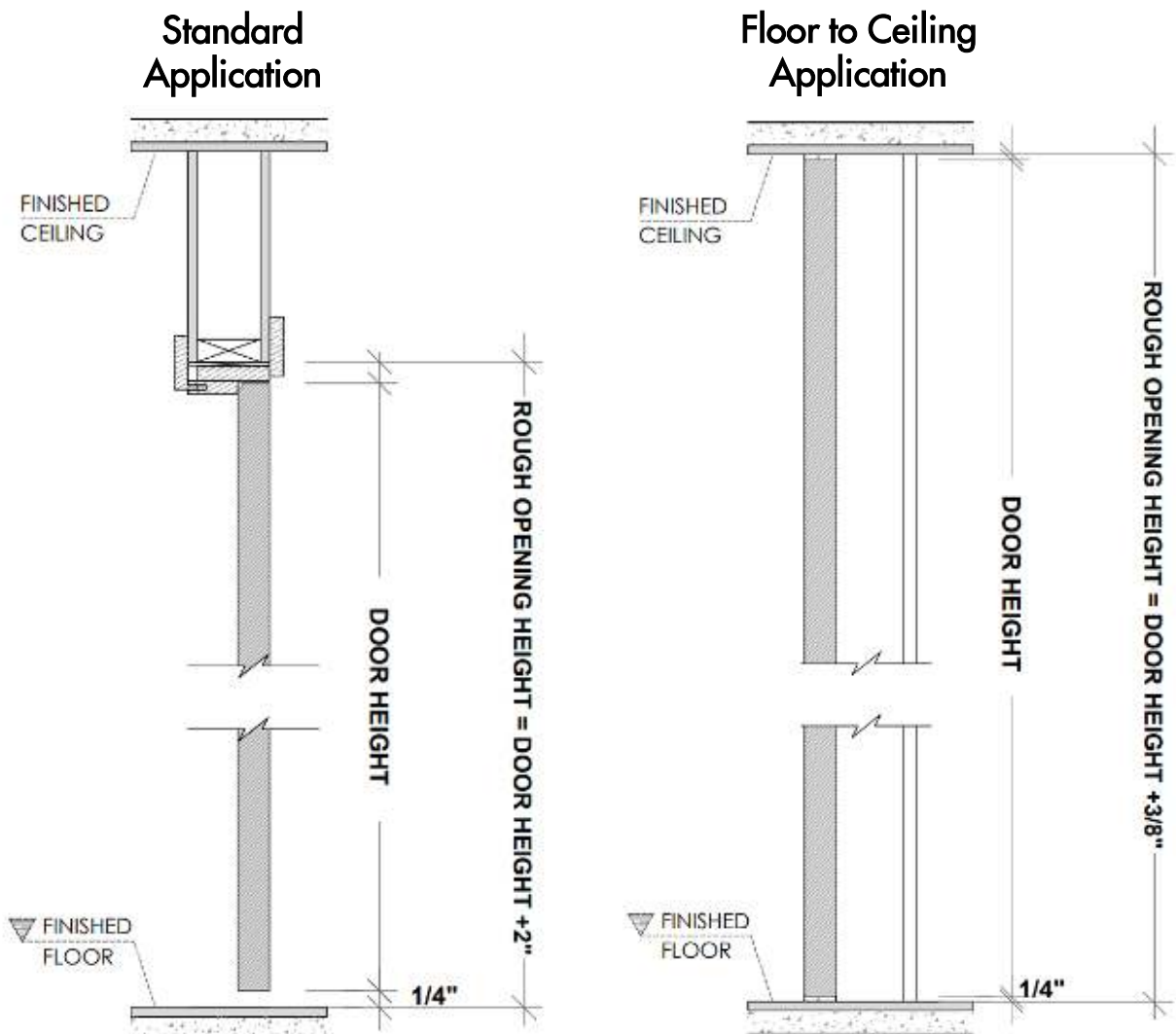
Out-swing flush to the wall



Framing Instructions Telaio/ with raised casing



X = THE WALL CAN BE ANY THICKNESS
 ALL OPENINGS MUST HAVE WOOD SUPPORT (2" x 4", 2" x 6", 2" x 8", ...)

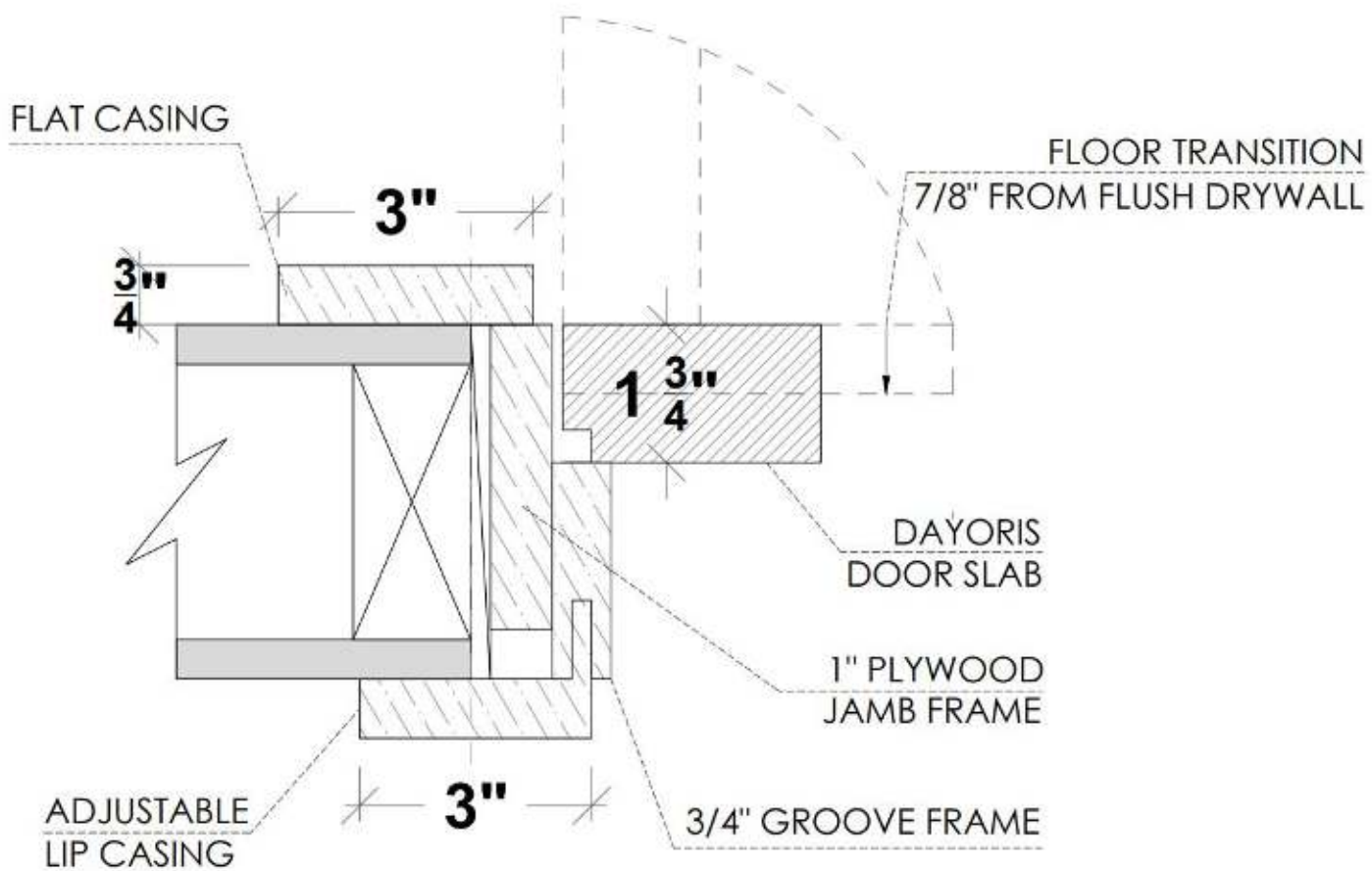
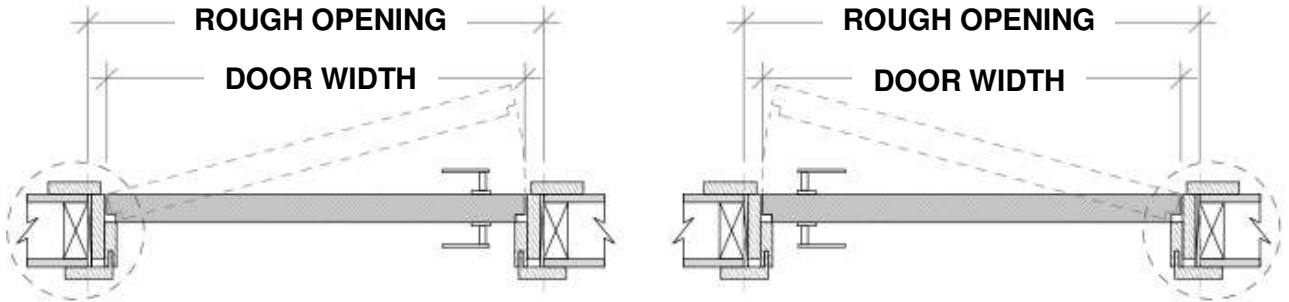


PLEASE ACCOUNT FOR FINISHED FLOOR FOR ALL MEASUREMENTS GIVEN TO DAYORIS.

Inswing Application

Left Hand Inswing

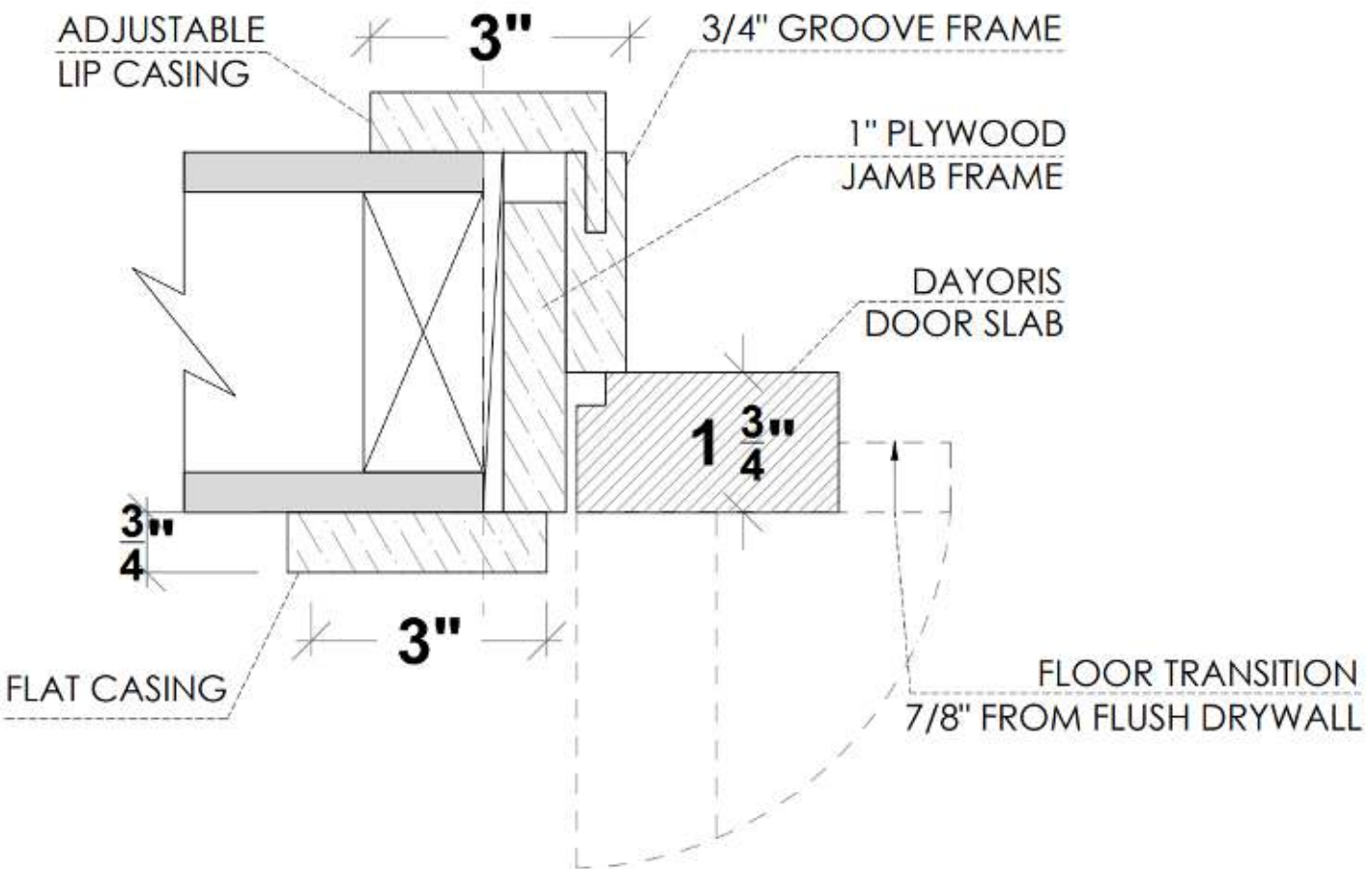
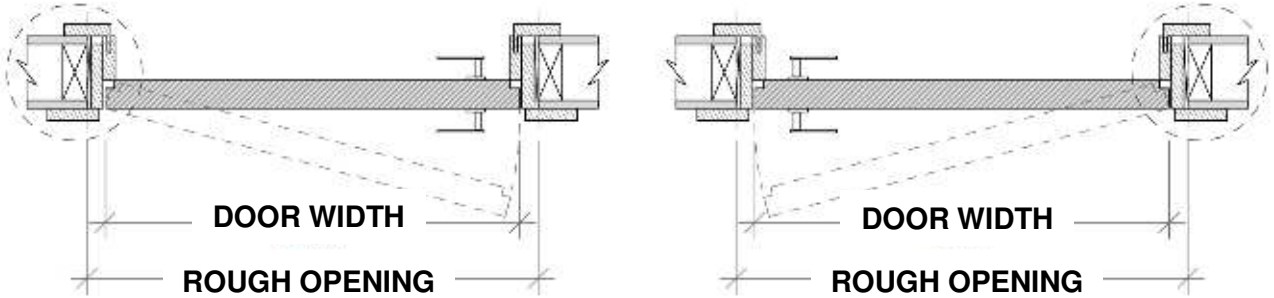
Right Hand Inswing



Outswing Application

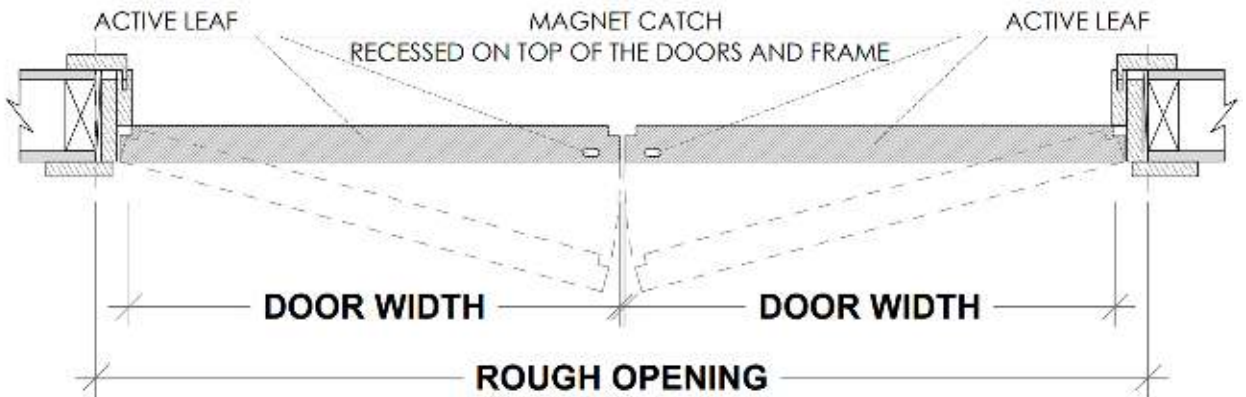
Right Hand Outswing

Left Hand Outswing



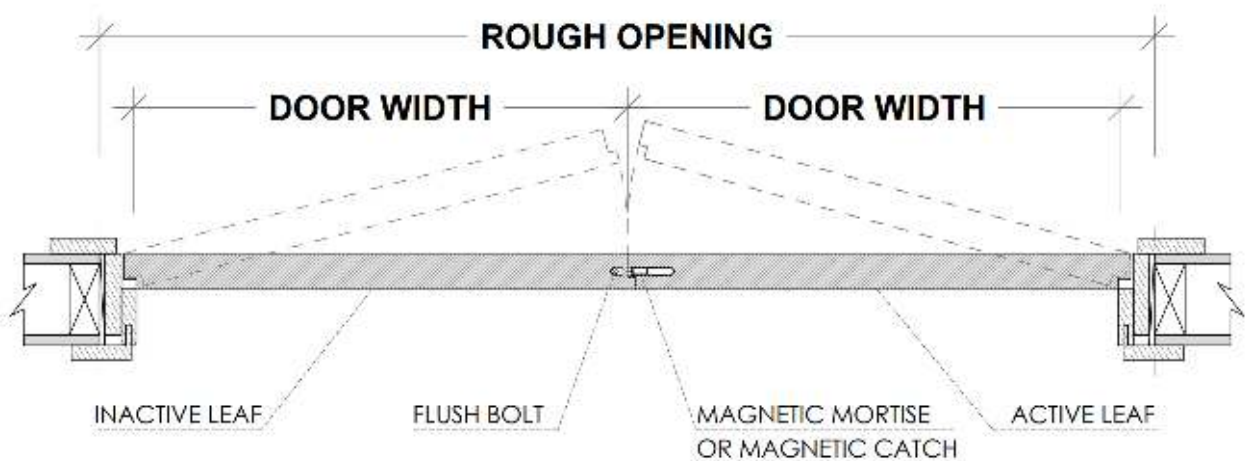
Double Door Applications Telaio/ with raised casing

Double Dummy Application with top magnetic catch (both active)



$$\text{ROUGH OPENING} = (\text{DOOR WIDTH} \times 2) + 3 \frac{1}{2}"$$

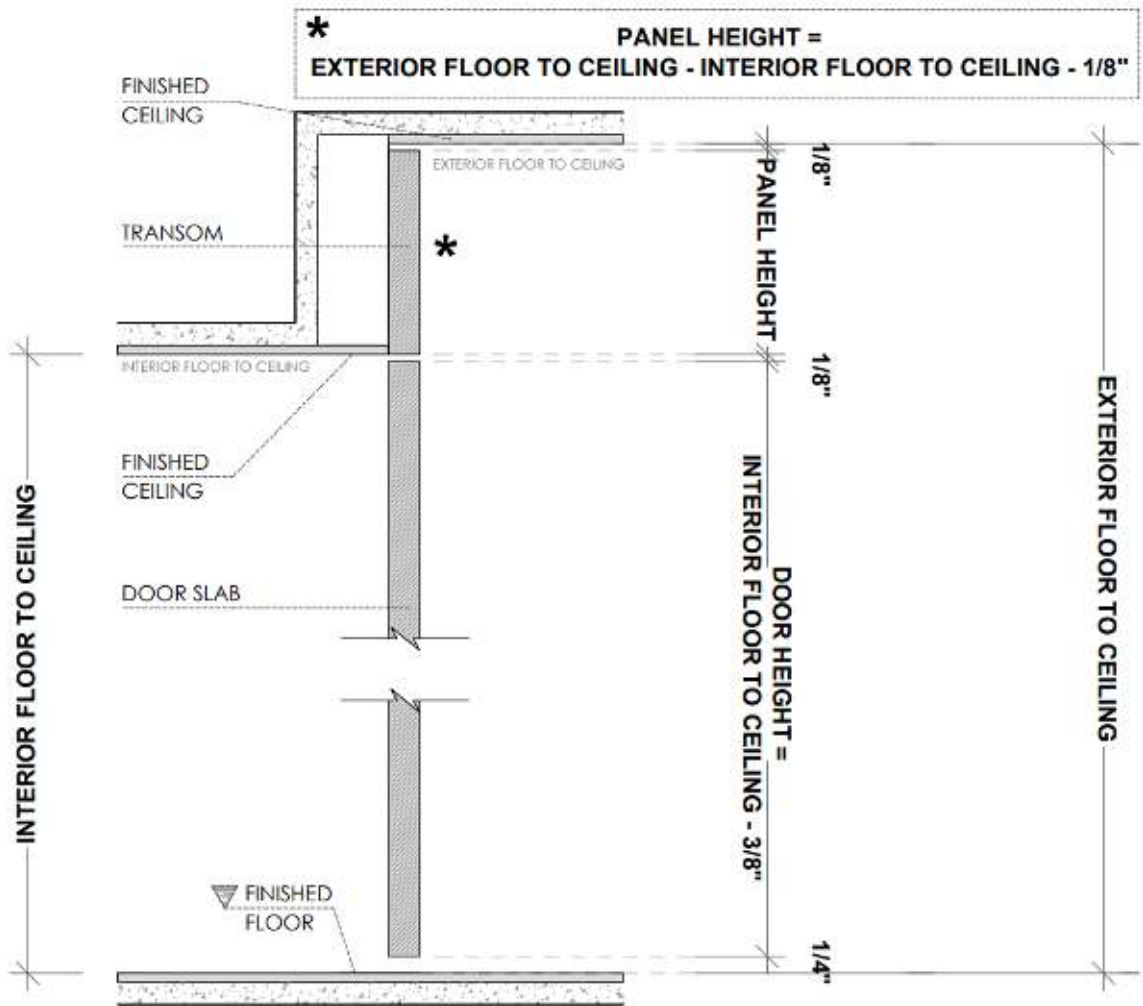
Active / Inactive Door with flush bolts



RHA (RIGHT HAND ACTIVE) SHOWN

$$\text{ROUGH OPENING} = (\text{DOOR WIDTH} \times 2) + 3 \frac{1}{2}"$$

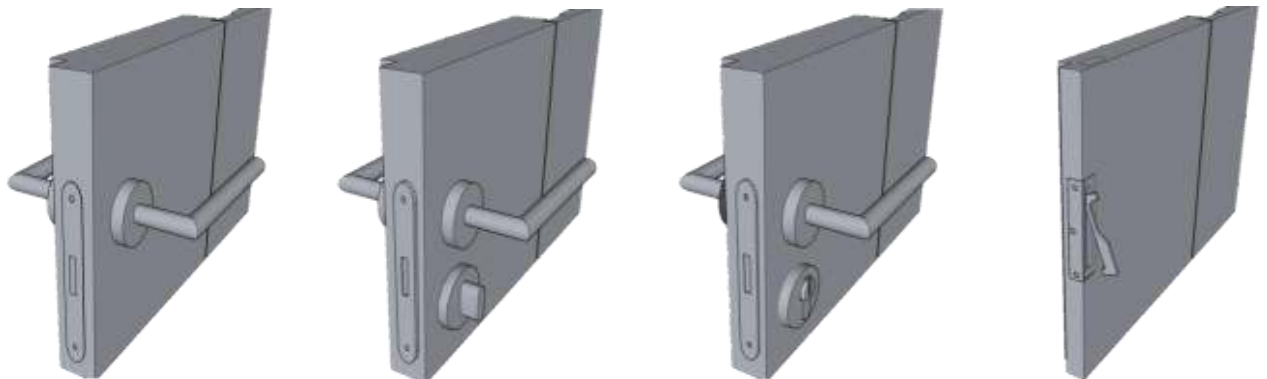
Telaio with Transom Application



Hardware



Lock Types for Swing Doors



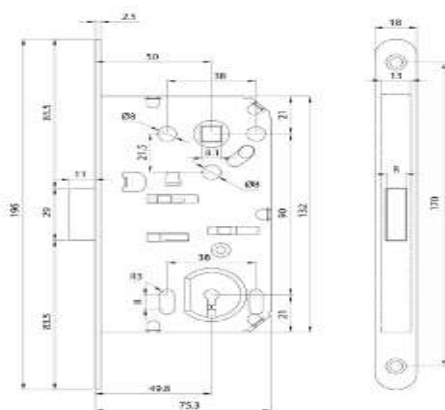
Passage (PA)

Privacy (PV)

Privacy Keyed *

Knife pull + Magnet catch

Bonaiti Magnetic Lock



* Optional Upgrades

Telaio/ with raised casing

Installation Instructions

Doors and frames arrive mortised and cut to size.



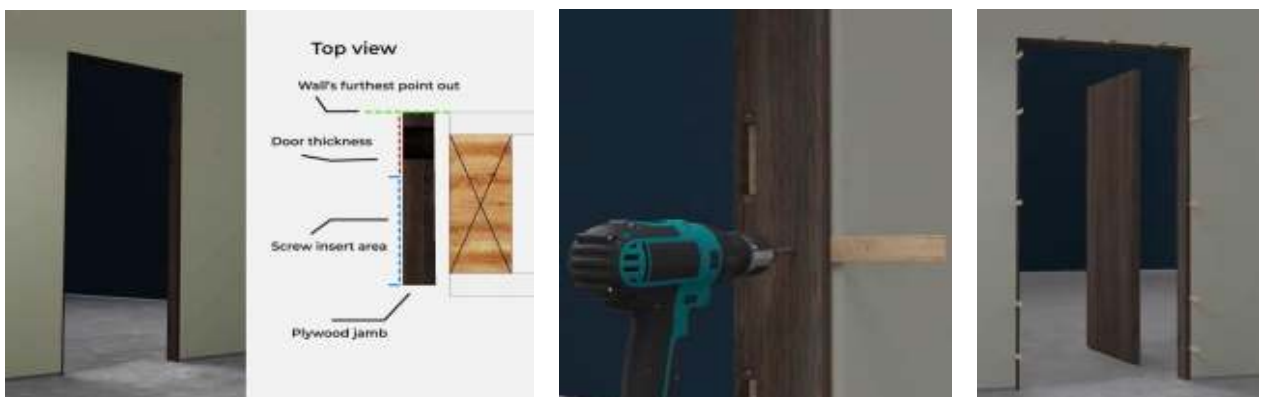
Verify the level of the wall and rough openings

Identify the furthest point out of level of the wall. (This is where the door is installed).



Installing the plywood jamb frame

Place and screw wood shims leveling the plywood jamb frame inside 2'x4' rough, then remove frame stabilizers.



Telaio/ with raised casing

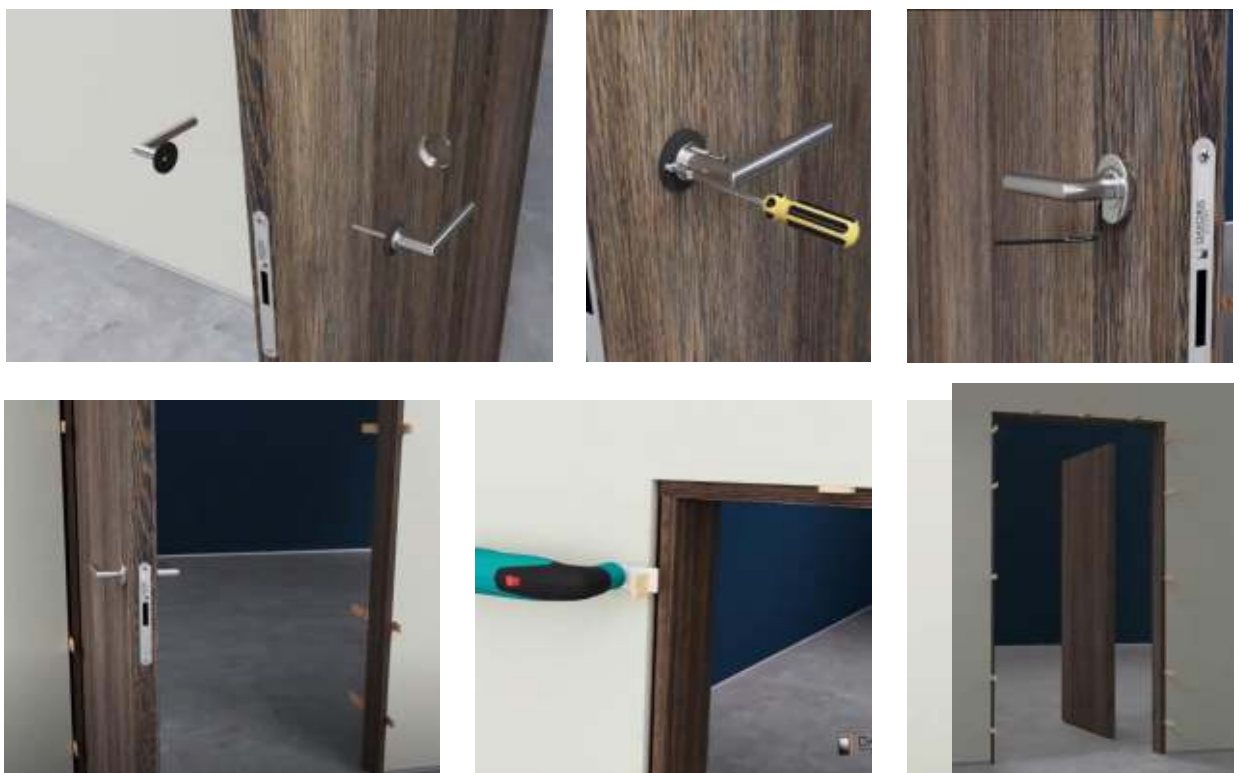
Hinge installation

Fit and screw hinges into the frame and door, then connect and screw hinges together while hanging door inside the plywood jamb frame. Use hinge adjustment screws to center door inside of the plywood jamb frame.



Handle installation

Screw handles into the mortised holes of the door and install rosettes. Proceed to cut the wood shims around the frame.



Telaio/ with raised casing

Finishing Technique

Casing Installation

Front side: Groove piece installation is glued tight against the door, then insert the lip casing into the groove piece jamb.



Rear side: Proceed to install the flat casing all around the door. Flat casing is glued tight against the wall.

