

Telaio/ with raised casing

PIVOT DOOR



DAYORIS
DOORS

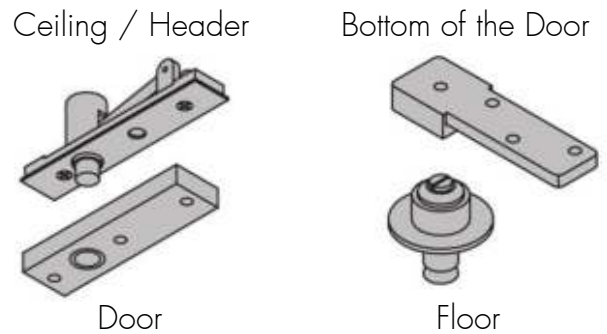
Types of Applications



Finishes

- Primed / Laminated Import
- Laminated Suncrest / Matte Lacquer
- Wood veneer

Ives Pivot Hinge



What's included

- Technical Specifications:
- Solid Core Door Slab
- Finish – Designer's choice
- Hinges – IVES Pivot
- Frame – Concealed aluminum
- Handset – DAYORIS Italia
- Mortise – Bonaiti Magnetic
- Design – Designers Choice

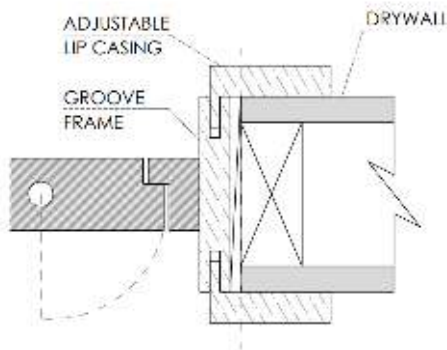
Frame Profile



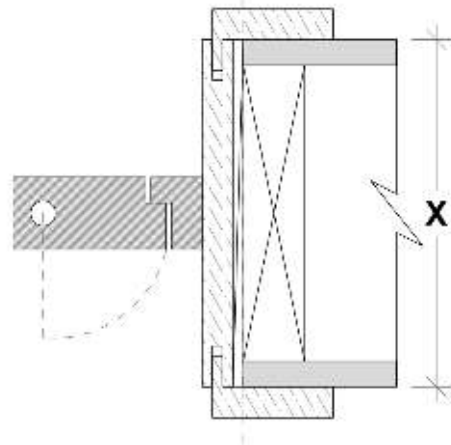
Adaptable Lip Casing

Benefits of Telaio/ pivot door

Adjustable Casing

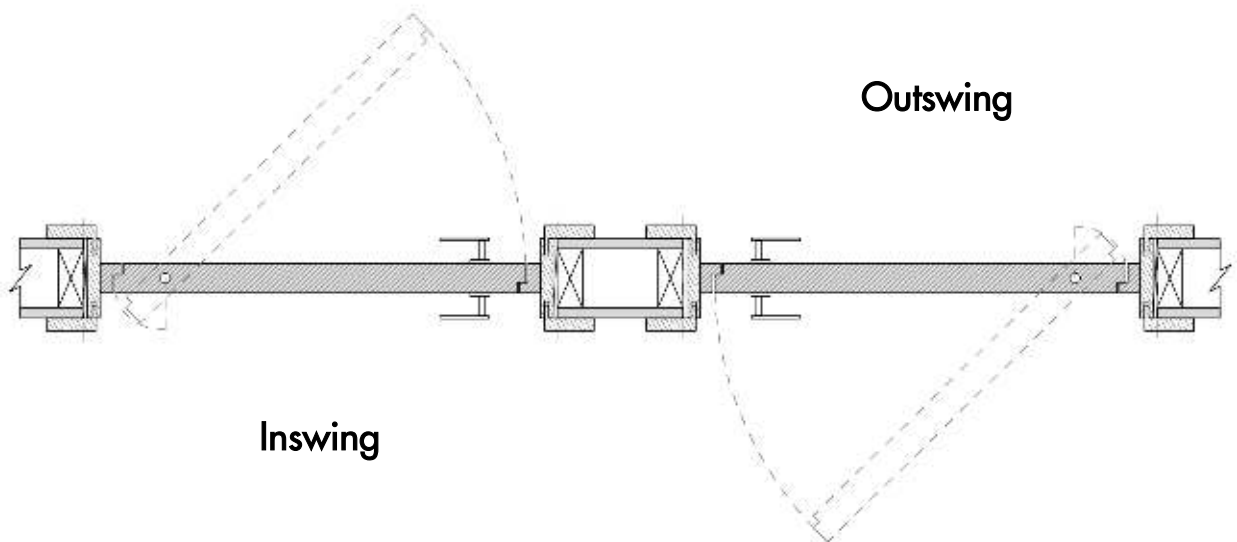


Any Wall Thickness



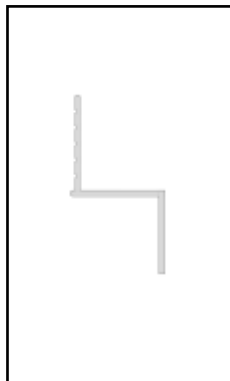
Always flush on the outside of the wall regardless of the door swing.

Outswing



Inswing

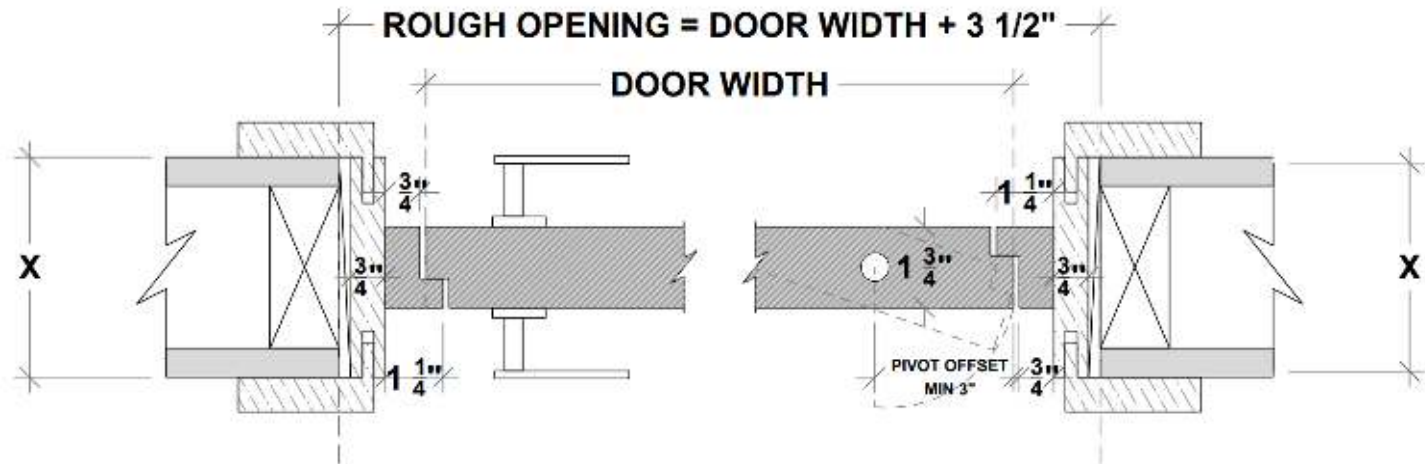
Works with 1/2" depth reglet (any height). Can be used with 5/8" drywall.



DEPTH	WIDTH	NON-VENTED
1/2"	1/8"	DRMZ-25-125
1/2"	1/4"	DRMZ-50-25
1/2"	3/8"	DRMZ-50-375
1/2"	1/2"	DRMZ-50-50
1/2"	5/8"	DRMZ-50-625
1/2"	3/4"	DRMZ-50-75
1/2"	1"	DRMZ-50-100
1/2"	1 1/2"	DRMZ-50-150
1/2"	2"	DRMZ-50-200

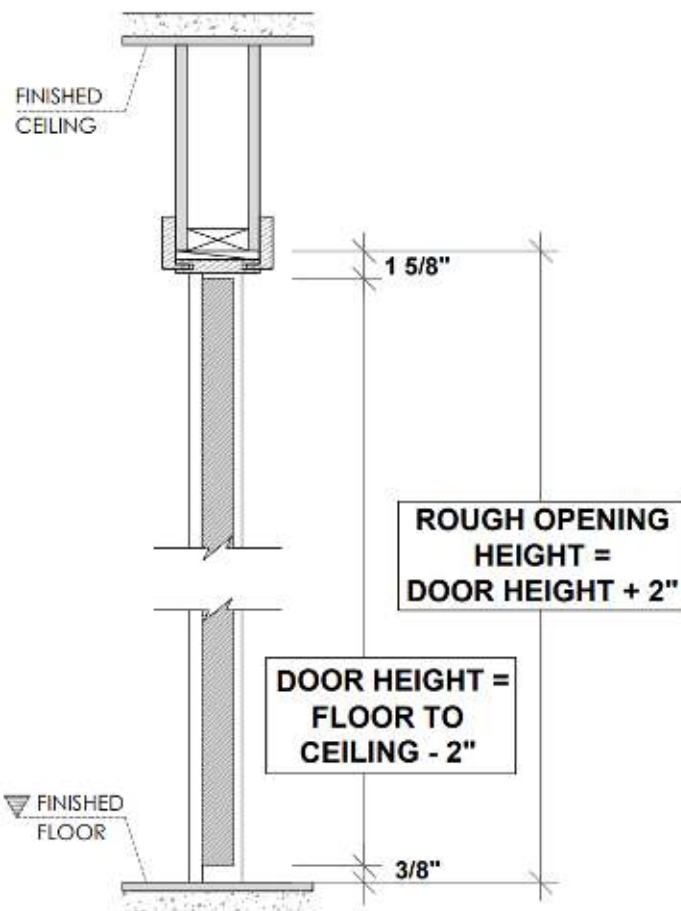
* Fry reglet for reference purposes only, not provided by Dayoris.

Framing Instructions Telaio/ pivot door

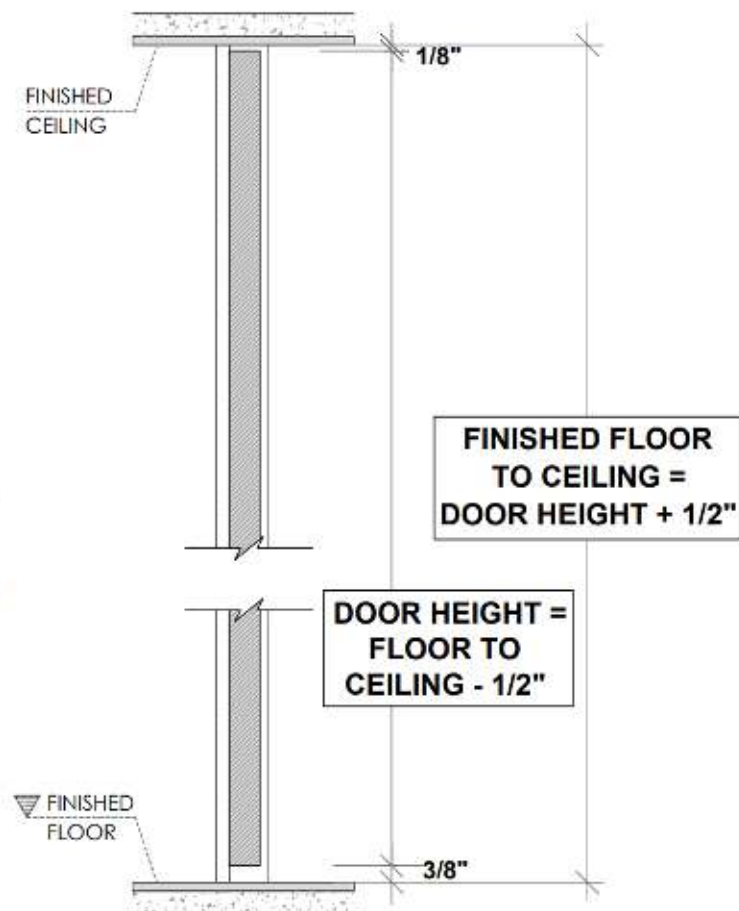


X = THE WALL CAN BE ANY THICKNESS
ALL OPENINGS MUST HAVE WOOD SUPPORT (2" x 4", 2" x 6", 2" x 8", ...)

Standard Application



Floor to Ceiling Application

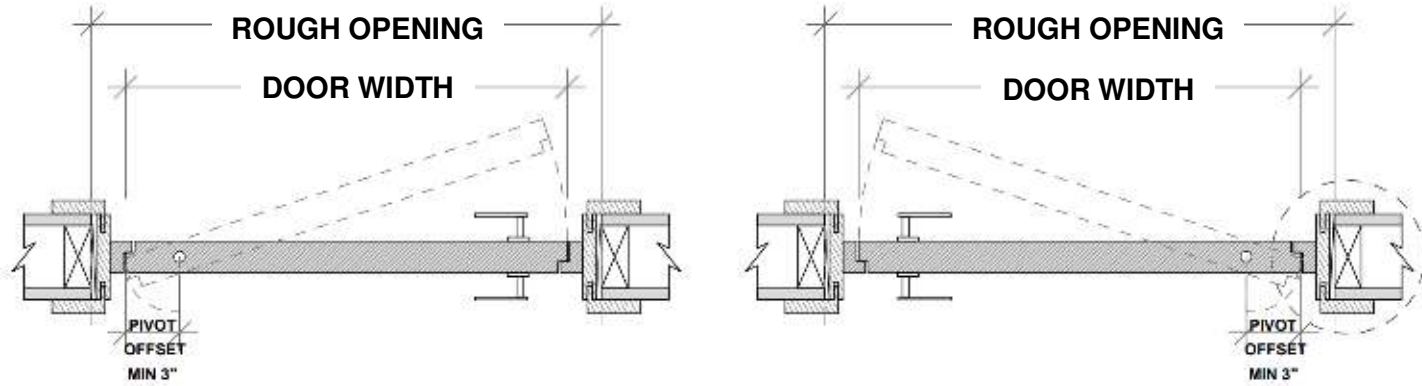


PLEASE ACCOUNT FOR FINISHED FLOOR FOR ALL MEASUREMENTS GIVEN TO DAYORIS.

Inswing Application

Left Hand Inswing

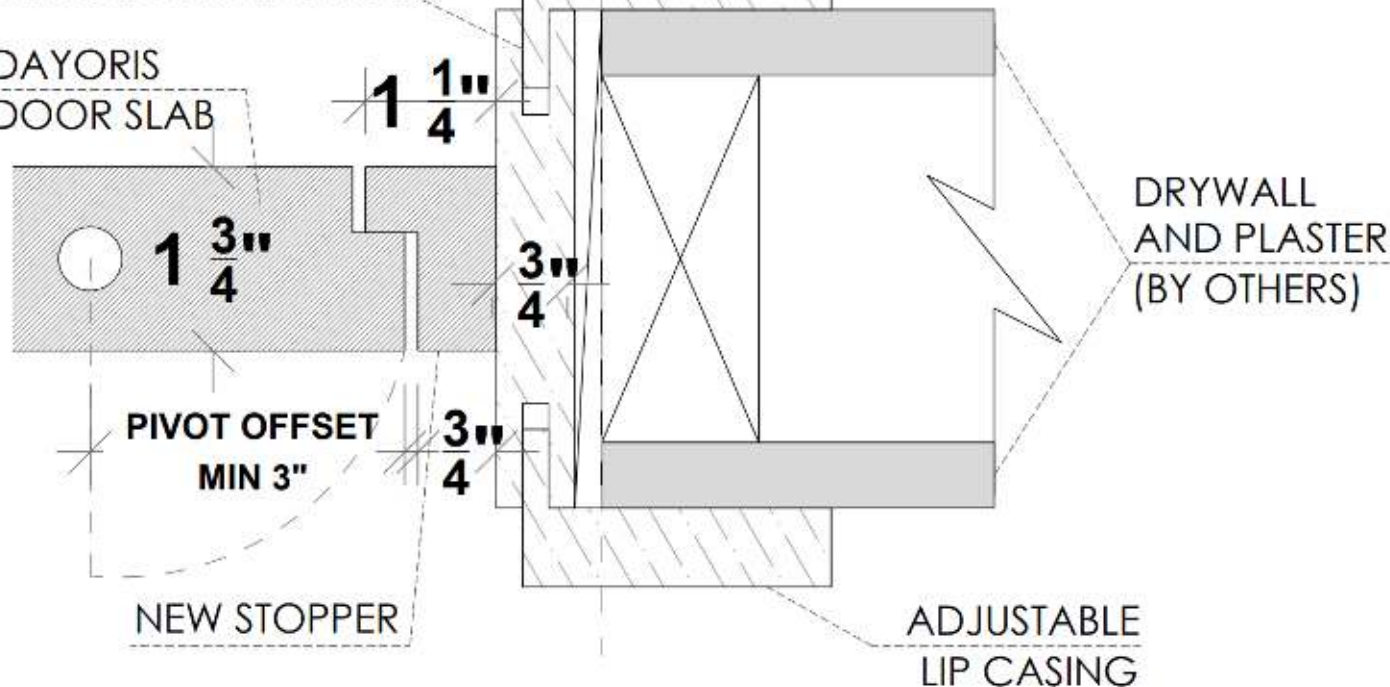
Right Hand Inswing



ADJUSTABLE
LIP CASING

3/4" GROOVE FRAME

DAYORIS
DOOR SLAB



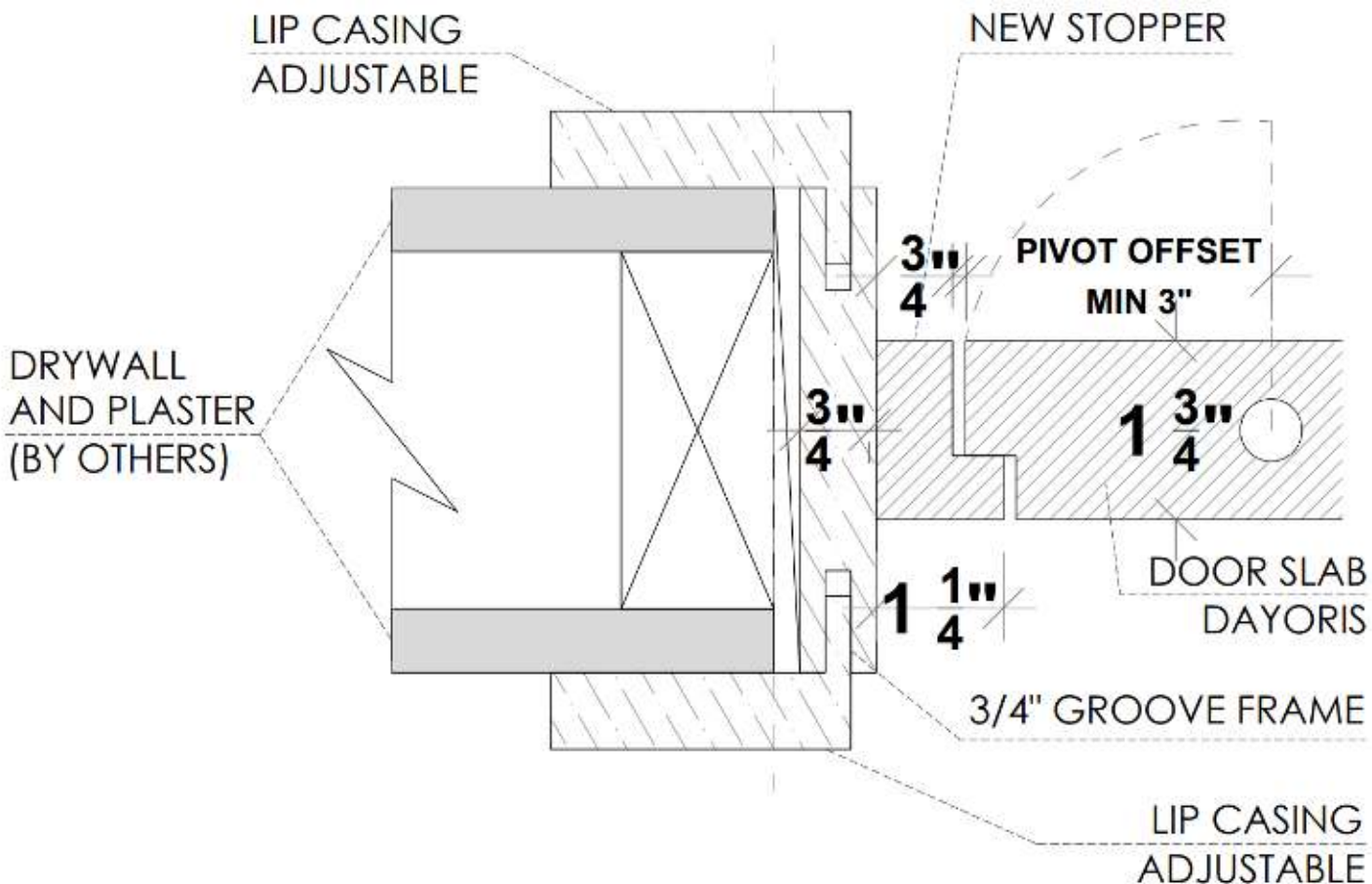
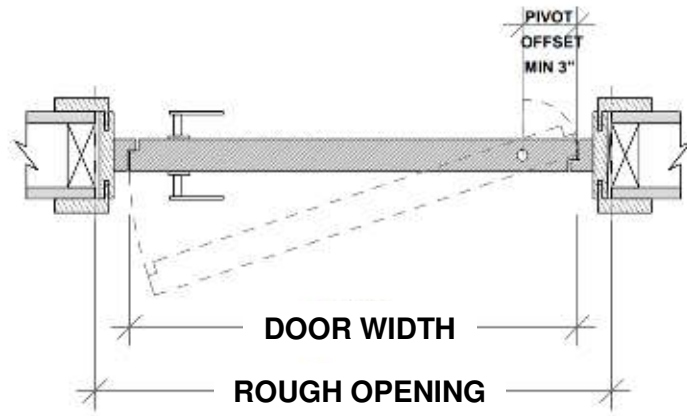
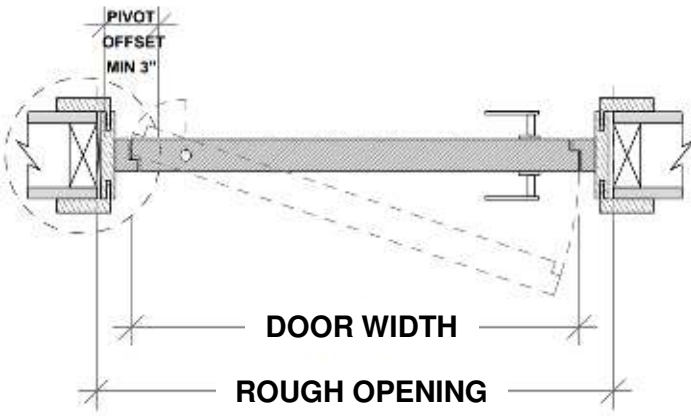
DRYWALL
AND PLASTER
(BY OTHERS)

ADJUSTABLE
LIP CASING

Outswing Application

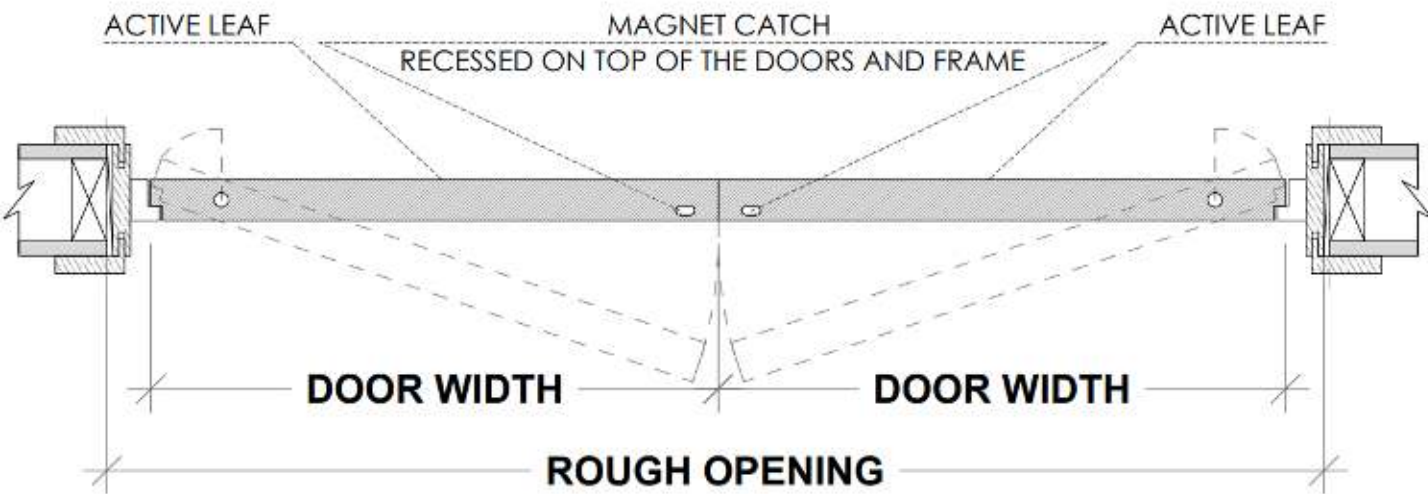
Right Hand Outswing

Left Hand Outswing

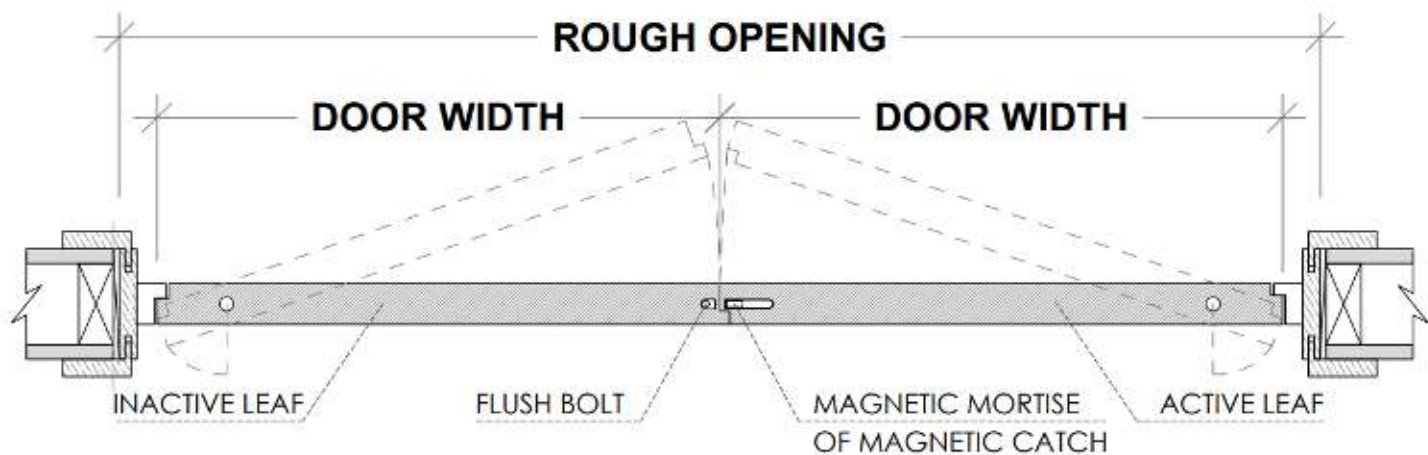


Double Door Applications

Double Dummy Application with top magnetic catch (both active)



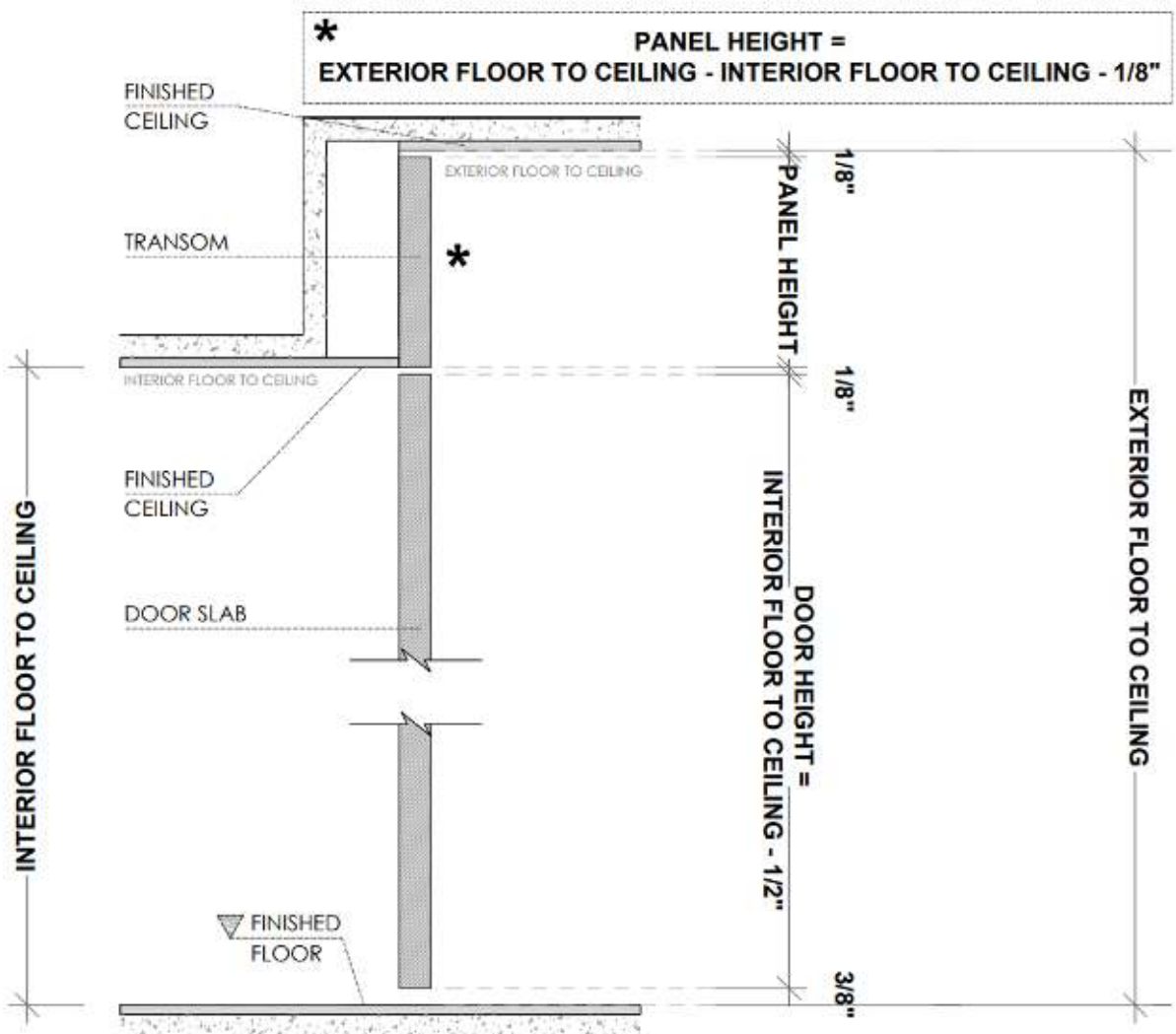
Active / Inactive Door with flush bolts



RHA (RIGHT HAND ACTIVE) SHOWN

$$\text{ROUGH OPENING} = (\text{DOOR WIDTH} \times 2) + 3 \frac{1}{2}"$$

Filo with Transom Application



Hardware



ROUND SATIN



SQUARE SATIN



FLAT ROUND SATIN



TWIST SATIN



ROUND POLISHED



SQUARE POLISHED



FLAT ROUND POLISHED



TWIST POLISHED



* ROUND BLACK



* SQUARE BLACK

Door Pull



ROUND POLISHED



ROUND SATIN



* ROUND BLACK



SQUARE POLISHED



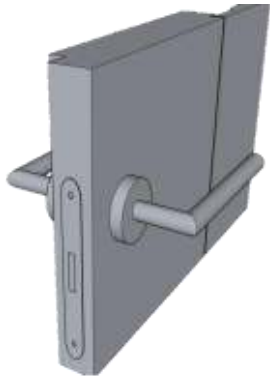
SQUARE SATIN



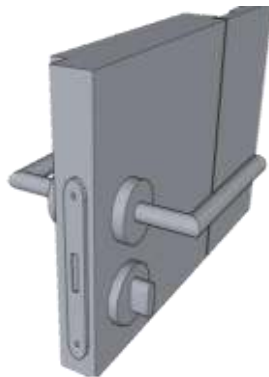
* SQUARE BLACK

* Optional Upgrades

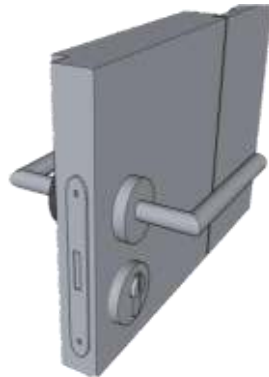
Lock Types for Pivot Doors with handles



Passage
Magnetic (PA)



Privacy
Magnetic (PV)

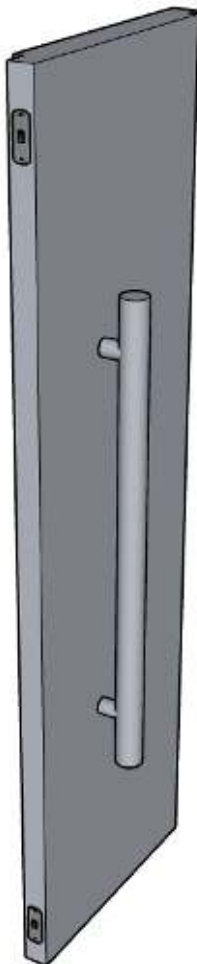


Keyed
Magnetic

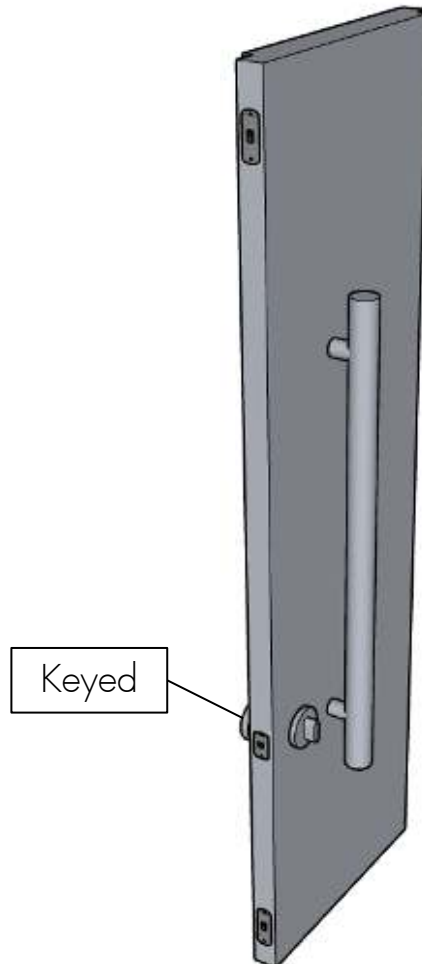


* Knife pull +
Magnet catch
(Outswing doors only)

Lock Types for Pivot Doors with pulls



Door Pull +
Magnet Catch +



Door Pull +
Magnet Catch + Dead Bolt