

Telaio/ with raised casing

EURO DOOR



DAYORIS
DOORS

Types of Applications



Finishes

- Primed / Laminated Import
- Laminated Suncrest / Matte Lacquer
- Wood veneer

Cabinet Knob



L Profile



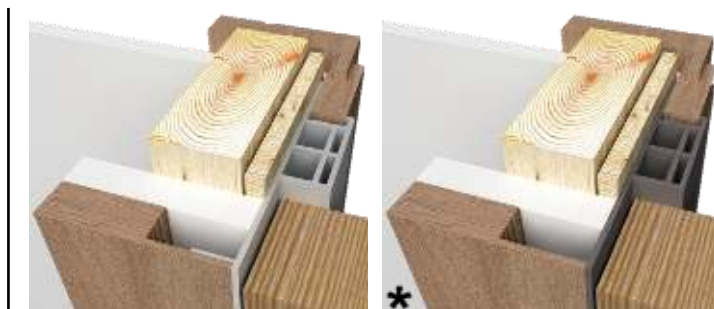
Cabinet Style Hinge



What's included

- Technical Specifications:
- 1" Solid Core MDF Door
- Finish – Designer's choice
- Frame – Concealed aluminum
- Design – Designers Choice

Frame Profile Finishes



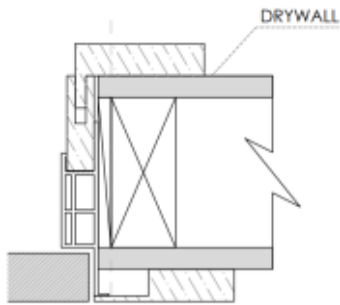
Clear Aluminum Frame

* Black Aluminum Frame

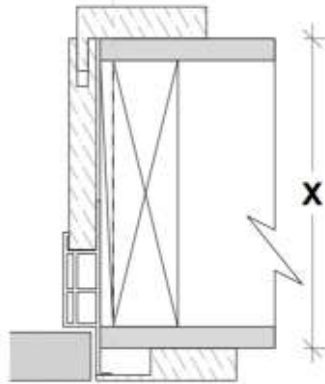
* Optional Upgrades

Benefits of Telaio/ euro door

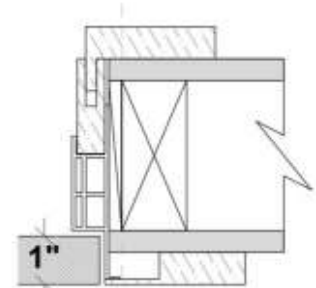
Drywall Return



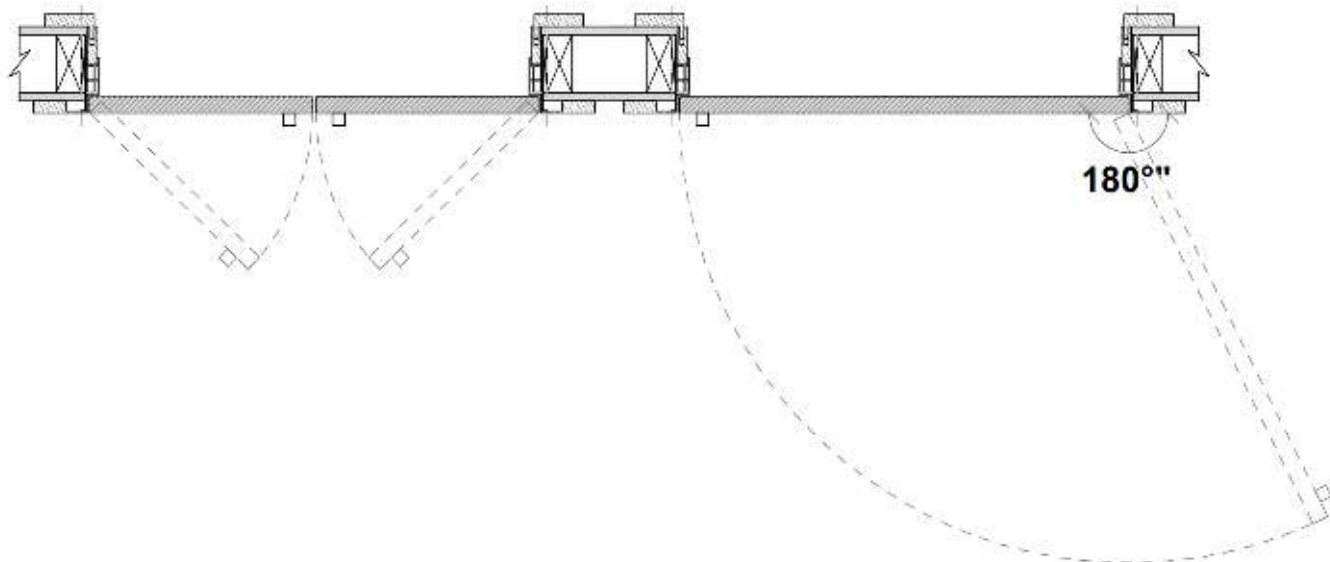
Any Wall Thickness



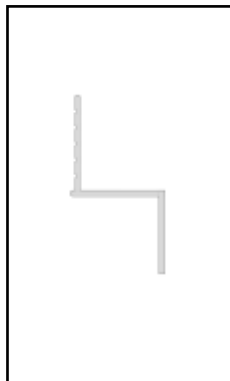
Lighter Door and Space saver



A thinner, economical application for non walk-in closets



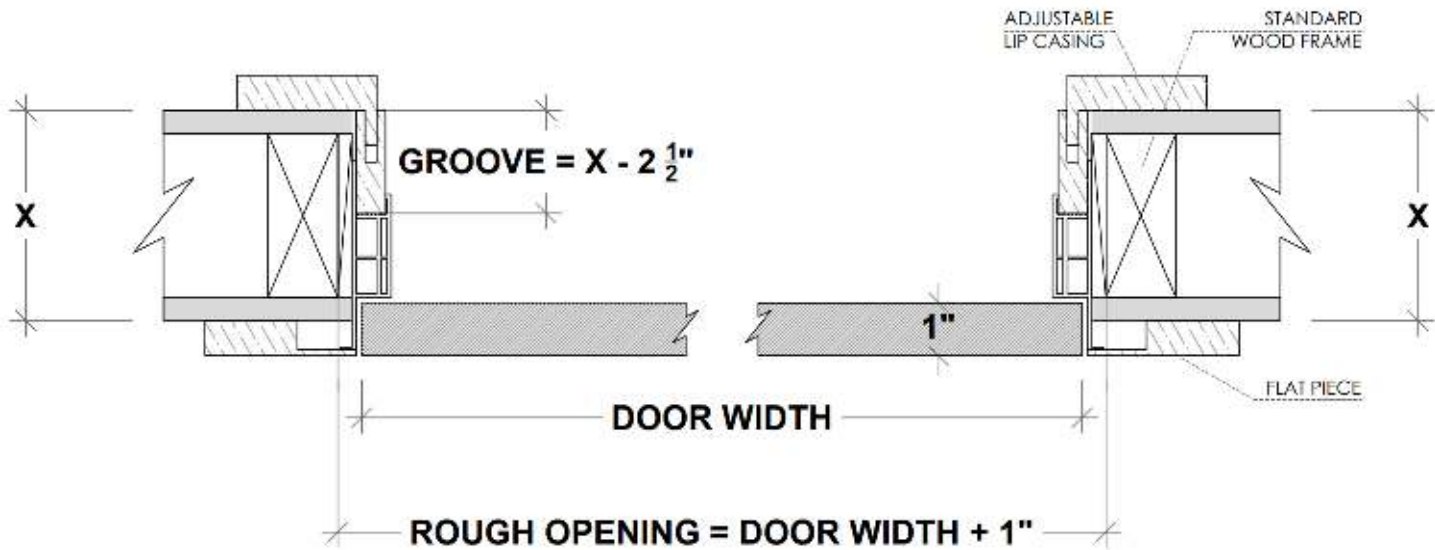
Works with 1/2" depth reglet (any height). Can be used with 5/8" drywall.



DEPTH	WIDTH	NON-VENTED
1/2"	1/8"	DRMZ-25-125
1/2"	1/4"	DRMZ-50-25
1/2"	3/8"	DRMZ-50-375
1/2"	1/2"	DRMZ-50-50
1/2"	5/8"	DRMZ-50-625
1/2"	3/4"	DRMZ-50-75
1/2"	1"	DRMZ-50-100
1/2"	1 1/2"	DRMZ-50-150
1/2"	2"	DRMZ-50-200

* Fry reglet for reference purposes only, not provided by Dayoris.

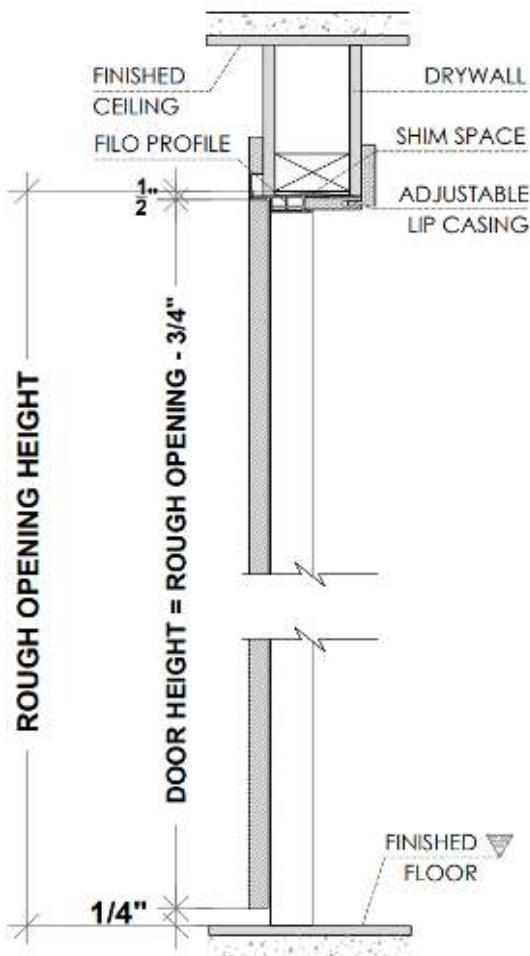
Framing Instructions Telaio/ euro door



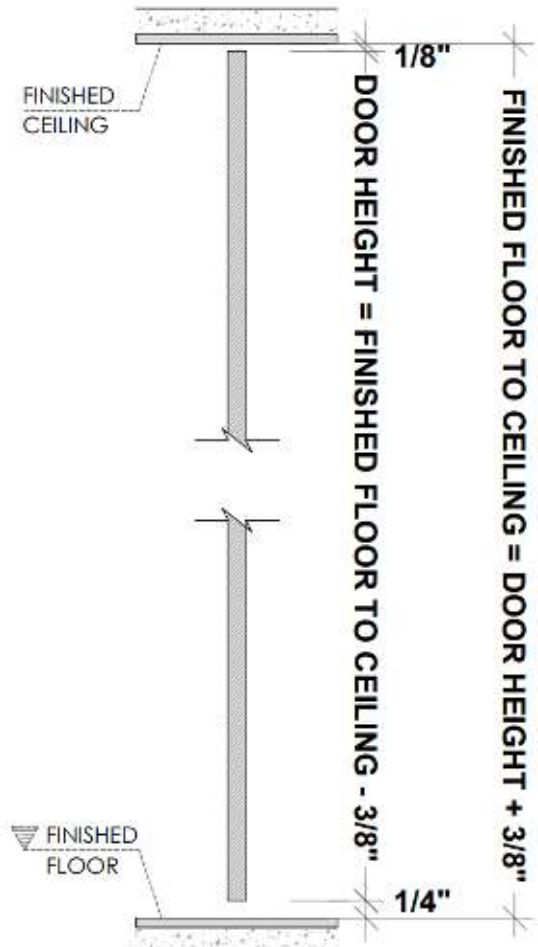
X = THE WALL CAN BE ANY THICKNESS

ALL OPENINGS MUST HAVE WOOD SUPPORT (2" x 4", 2" x 6", 2" x 8", ...)

Standard Application



Floor to Ceiling Application

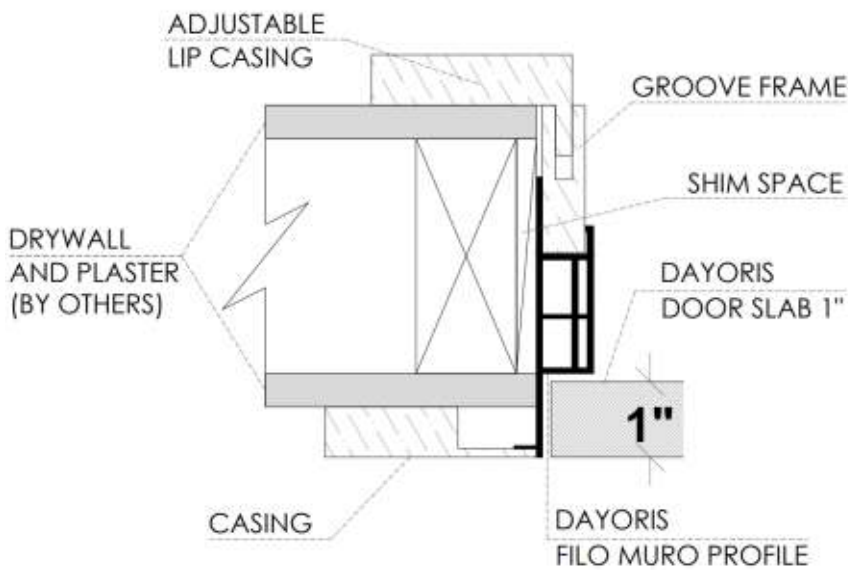
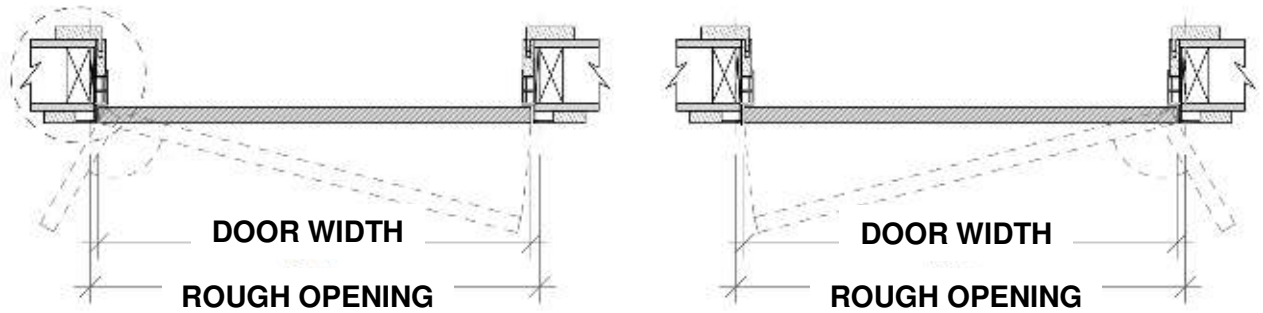


PLEASE ACCOUNT FOR FINISHED FLOOR FOR ALL MEASUREMENTS GIVEN TO DAYORIS.

Outswing Application (euro door only available outswing)

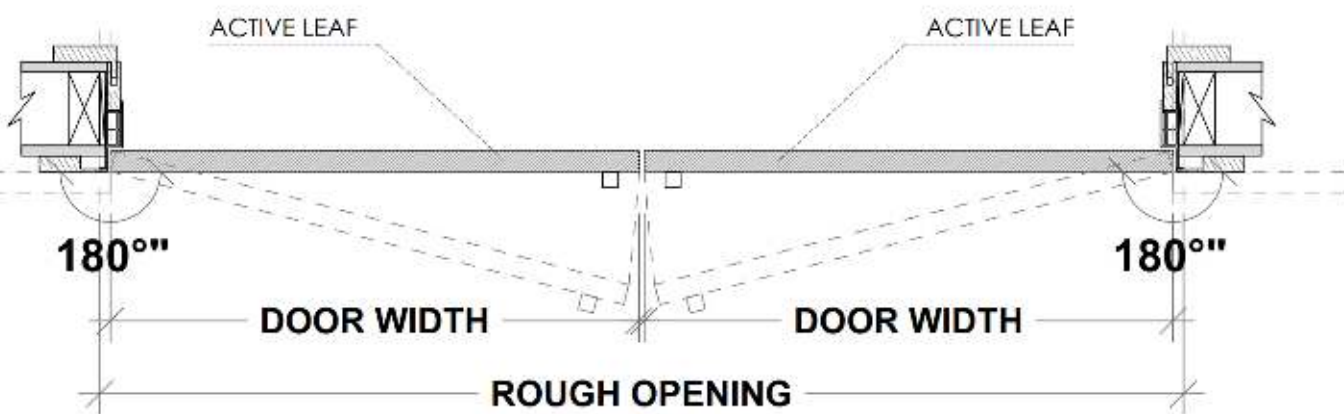
Right Hand Outswing

Left Hand Outswing



Double Door Applications

Double Dummy Application (both active)



$$\text{ROUGH OPENING} = (\text{DOOR WIDTH} \times 2) + 1''$$