

Ombra/ floating jamb with shadow reveal

SWING DOOR



Types of Applications

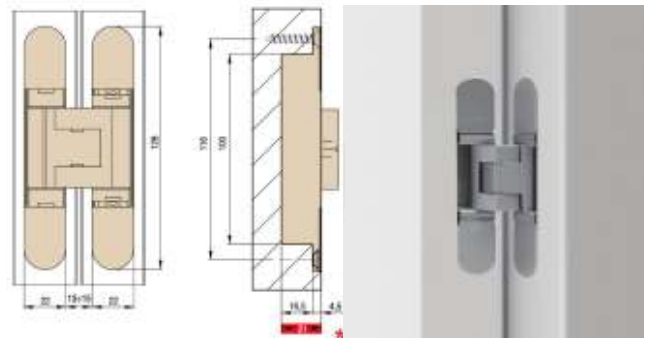


Finishes

Primed / Laminated Import

Laminated Suncrest / Matte Lacquer

Wood veneer



What's included

Technical Specifications:
 Solid Core Door Slab
 Finish – Designer's choice
 Hinges – CEAM Italia 3D adjustable
 Frame – Wood finished
 Handset – DAYORIS Italia
 Mortise – Bonaiti Magnetic
 Design – Designers Choice

Frame Profile

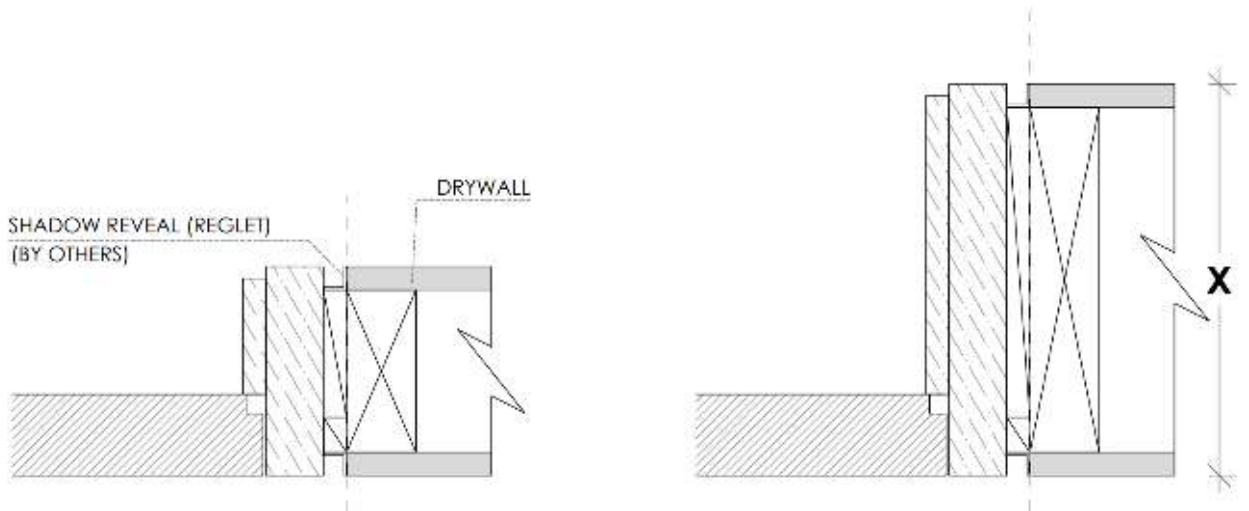


Door Frame

* Optional Upgrades

Benefits of Ombra/ floating jamb with shadow reveal

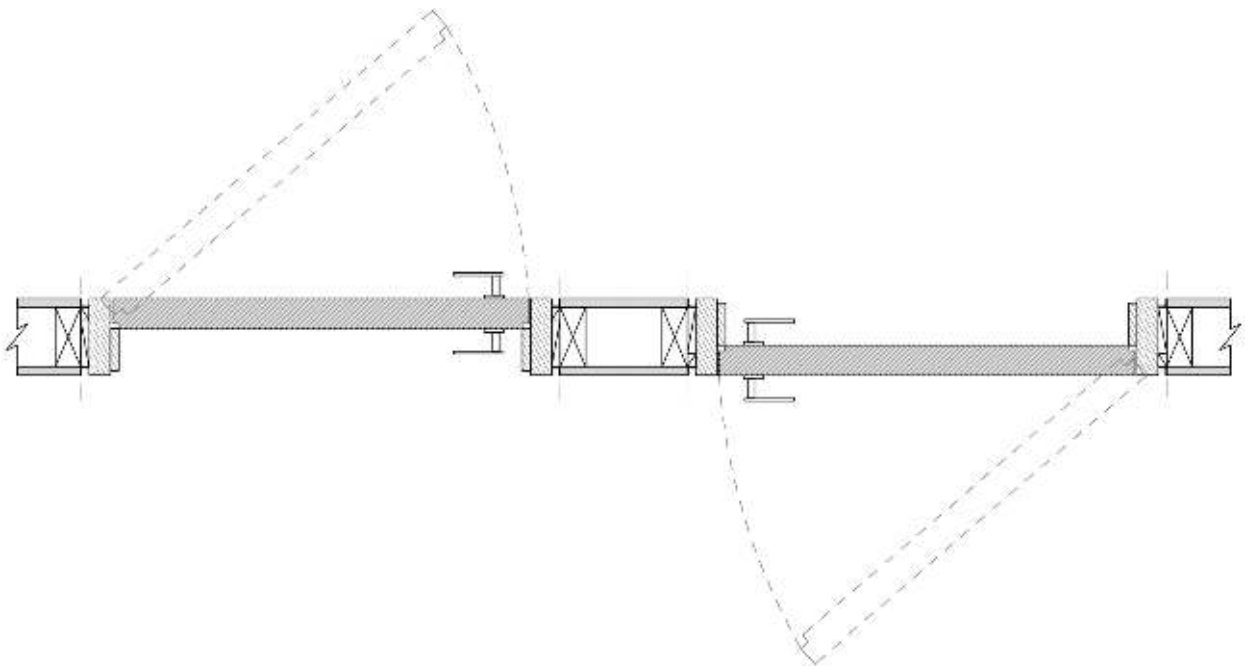
Any Wall Thickness



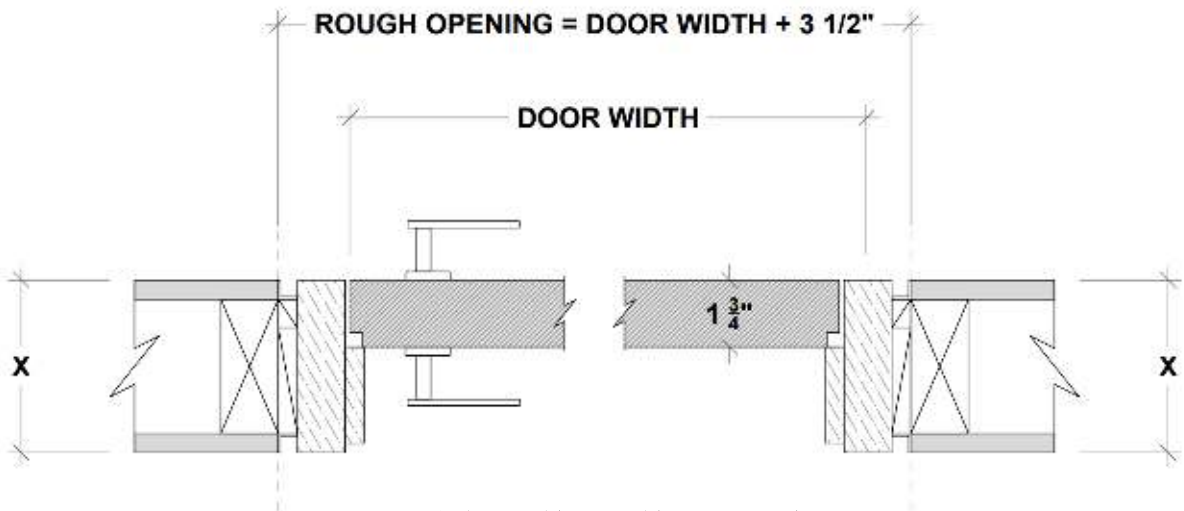
Door orientation

In-swing recessed in wall

Out-swing flush to the wall

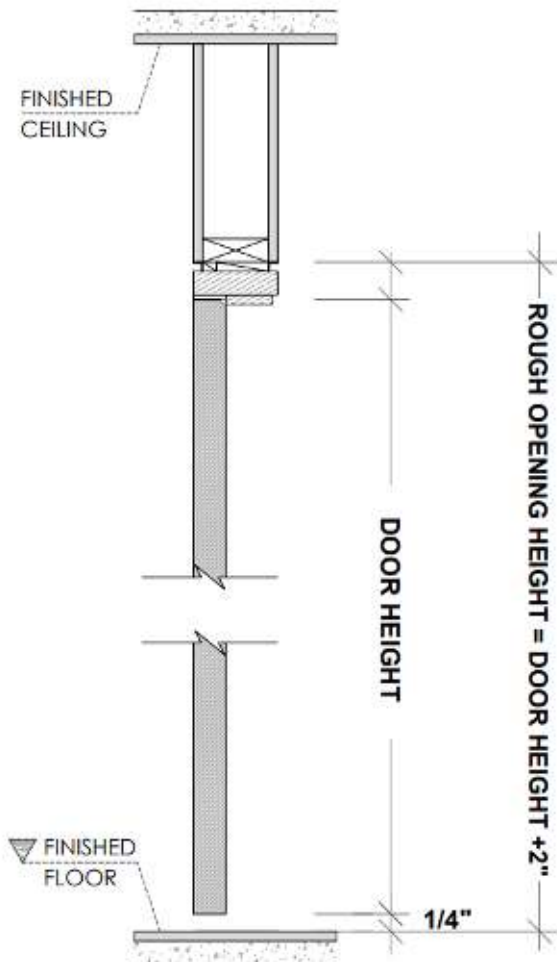


Framing Instructions Ombra/ floating jamb with shadow reveal

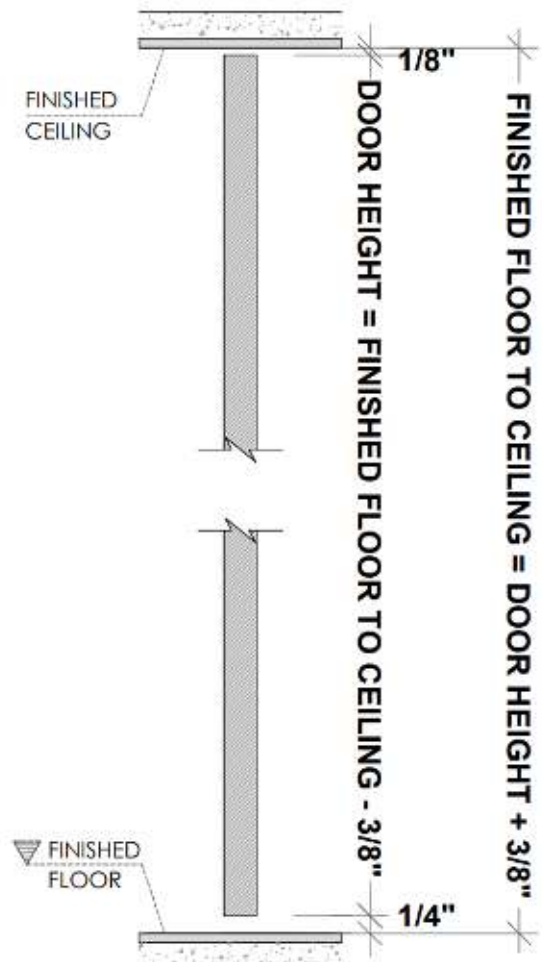


X = THE WALL CAN BE ANY THICKNESS
 ALL OPENINGS MUST HAVE WOOD SUPPORT (2" x 4", 2" x 6", 2" x 8", ...)

Standard Application



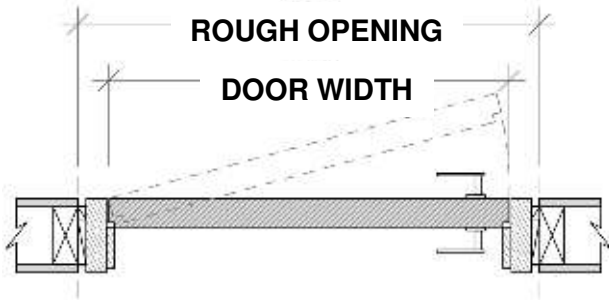
Floor to Ceiling Application



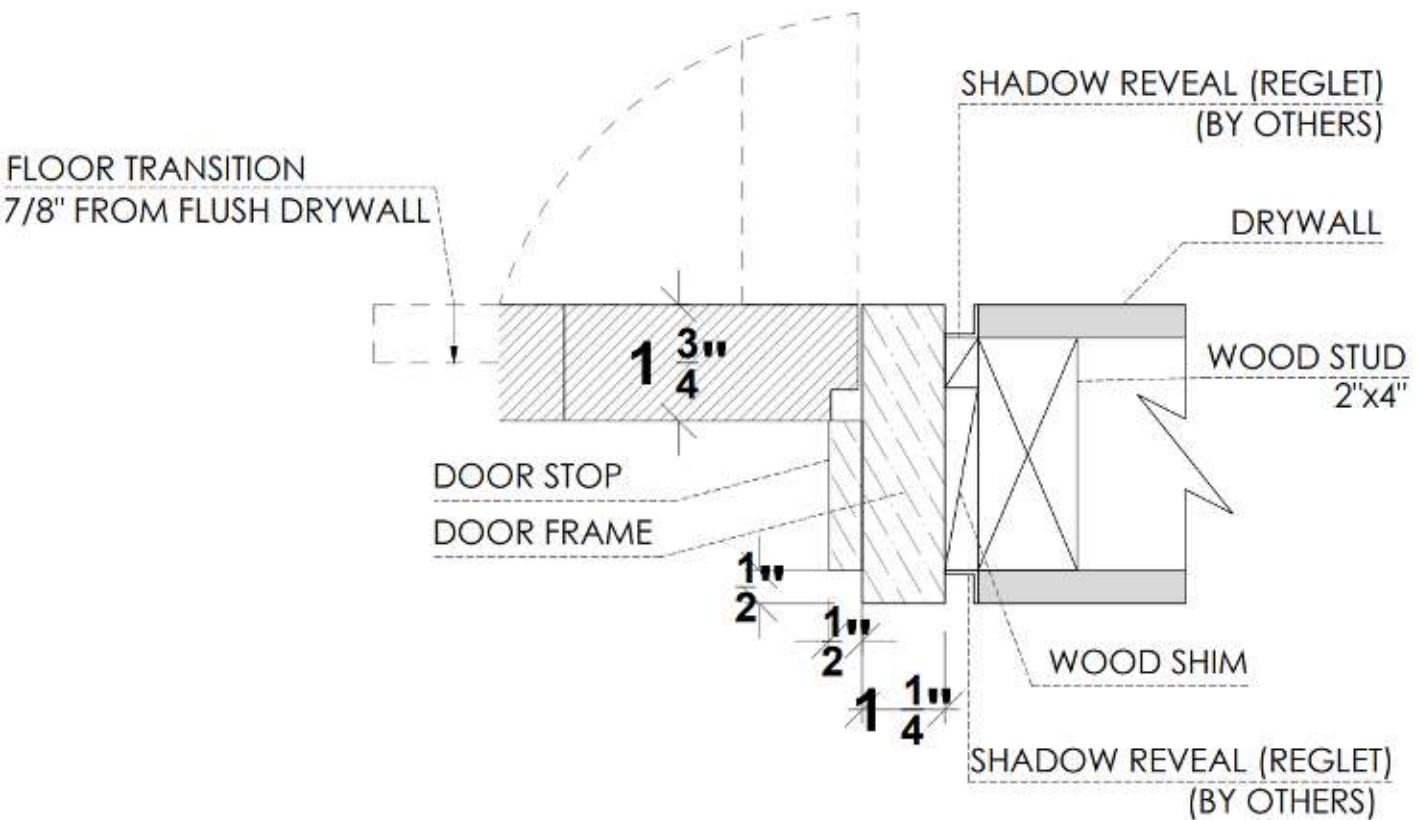
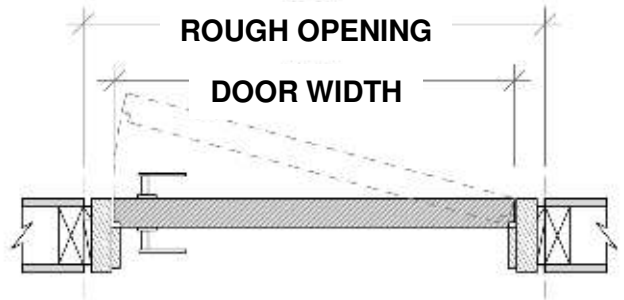
PLEASE ACCOUNT FOR FINISHED FLOOR FOR ALL MEASUREMENTS GIVEN TO DAYORIS.

Inswing Application

Left Hand Inswing



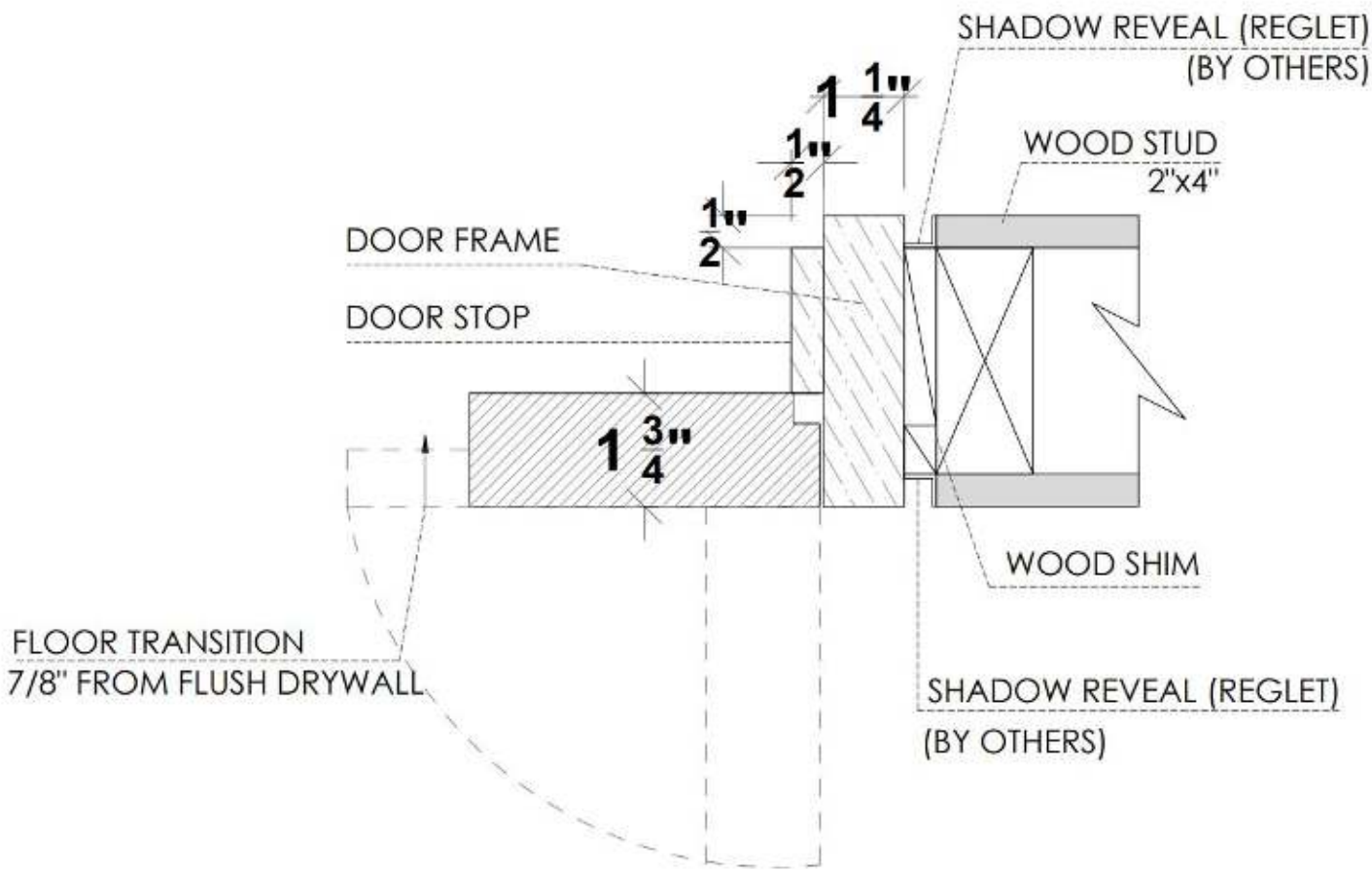
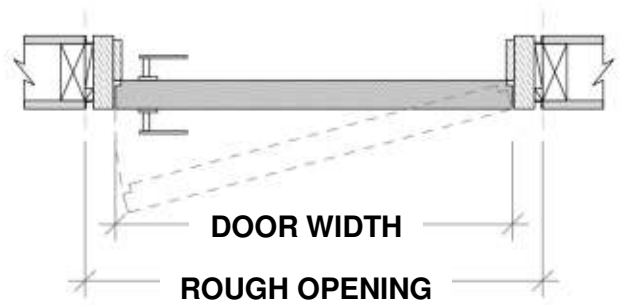
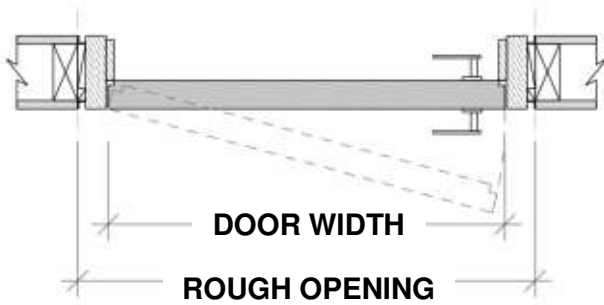
Right Hand Inswing



Outswing Application

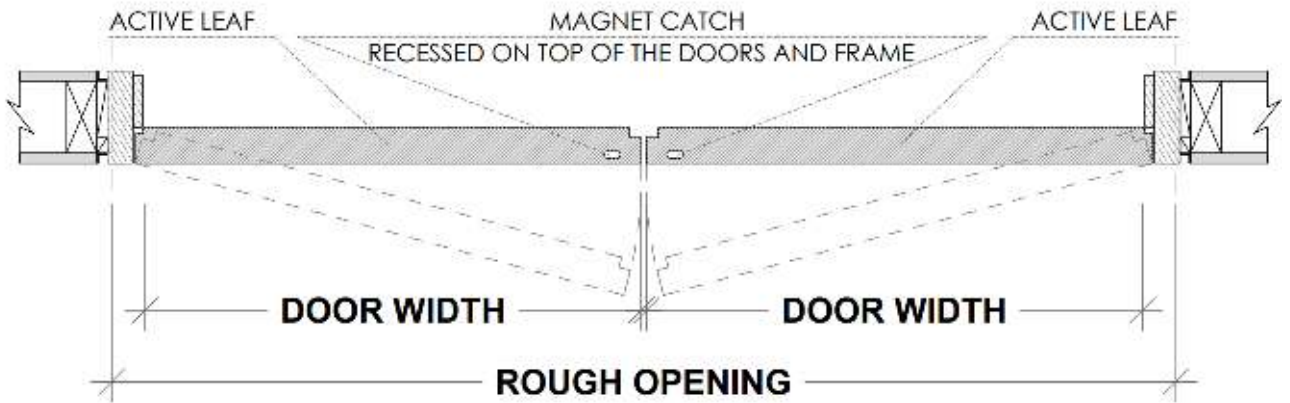
Right Hand Outswing

Left Hand Outswing



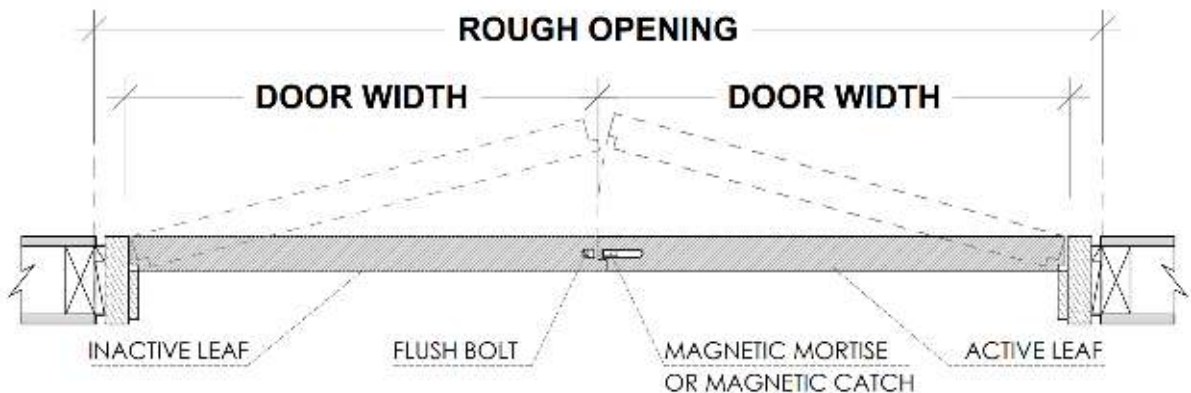
Double Door Applications Ombra/ floating jamb with shadow reveal

Double Dummy Application with top magnetic catch (both active)



$$\text{ROUGH OPENING} = (\text{DOOR WIDTH} \times 2) + 3 \frac{1}{2}''$$

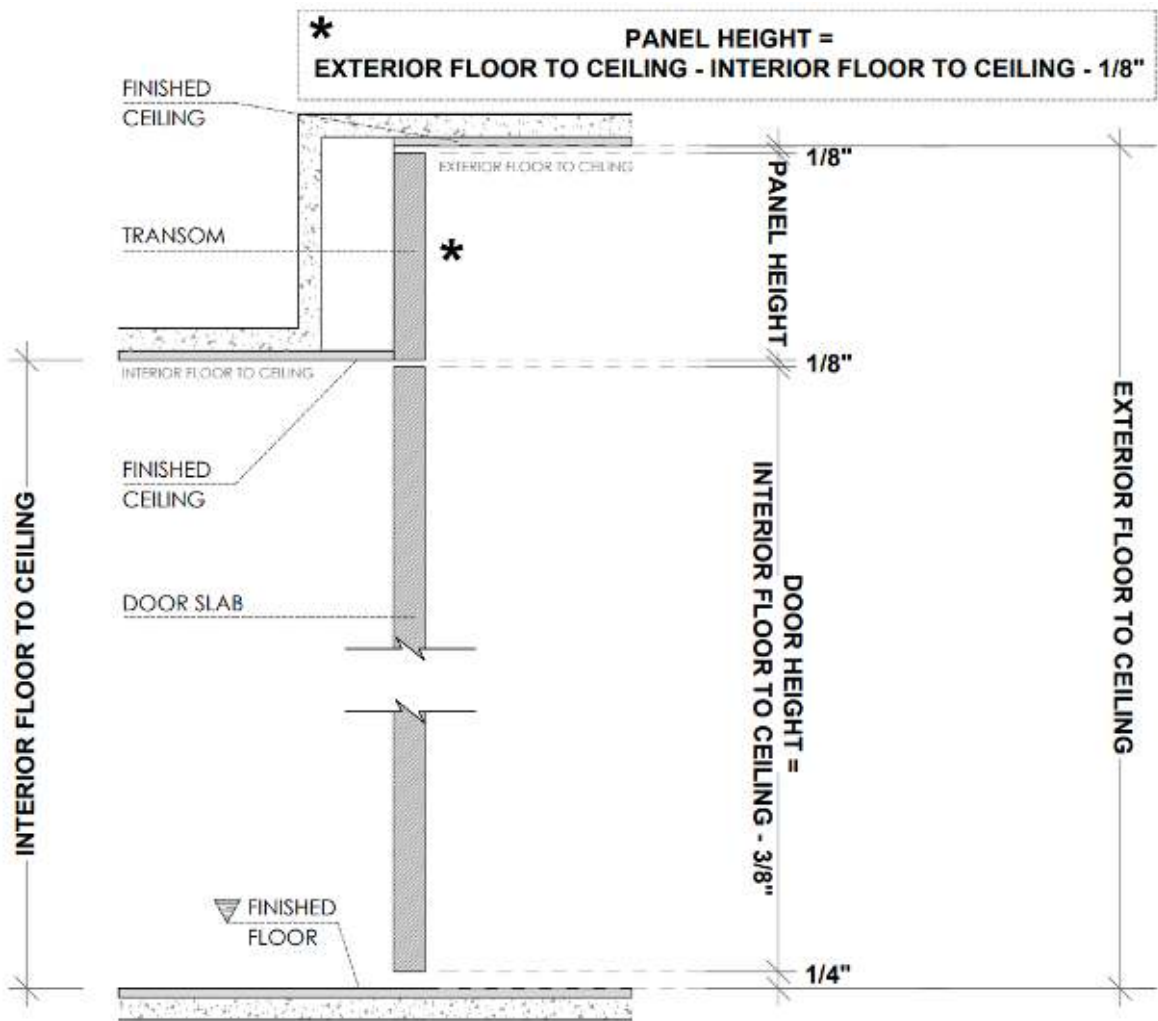
Active / Inactive Door with flush bolts



RHA (RIGHT HAND ACTIVE) SHOWN

$$\text{ROUGH OPENING} = (\text{DOOR WIDTH} \times 2) + 3 \frac{1}{2}''$$

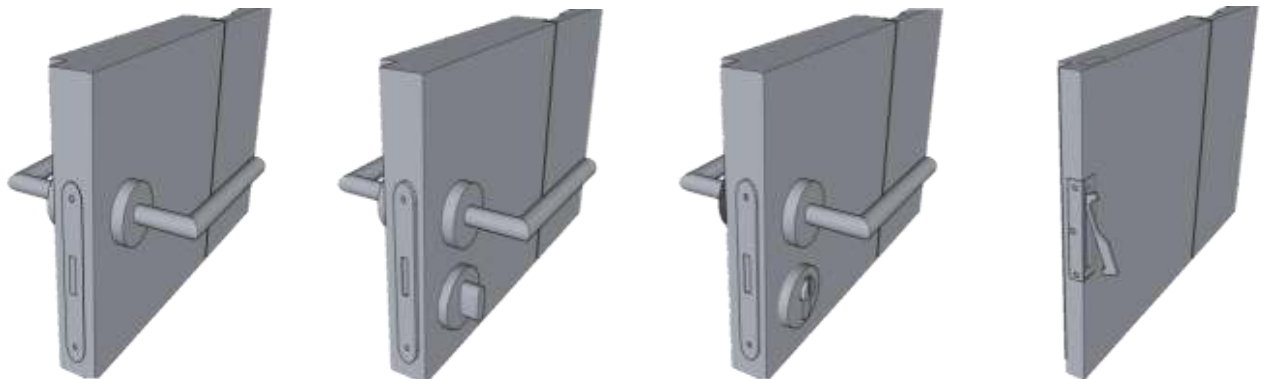
Ombra with Transom Application



Hardware



Lock Types for Swing Doors



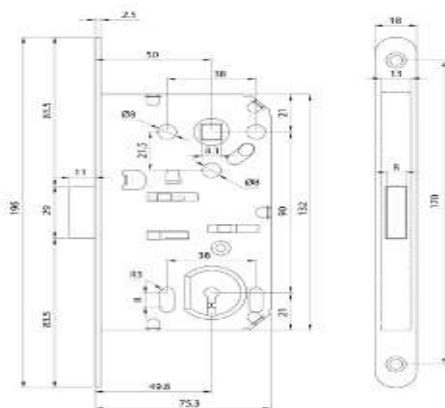
Passage (PA)

Privacy (PV)

Privacy Keyed *

Knife pull + Magnet catch

Bonaiti Magnetic Lock



* Optional Upgrades

Ombra/ floating jamb with shadow reveal

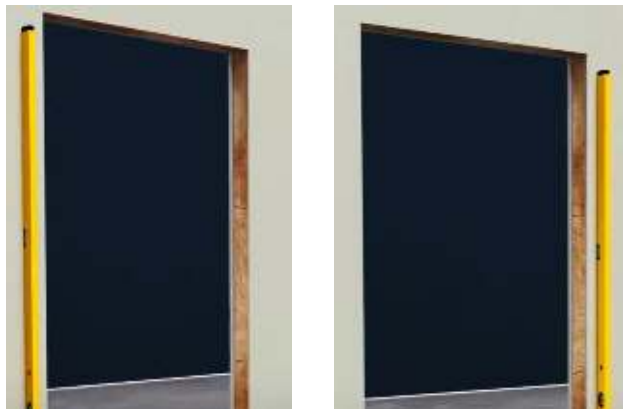
Installation Instructions

Doors and frames arrive mortised and cut to size.



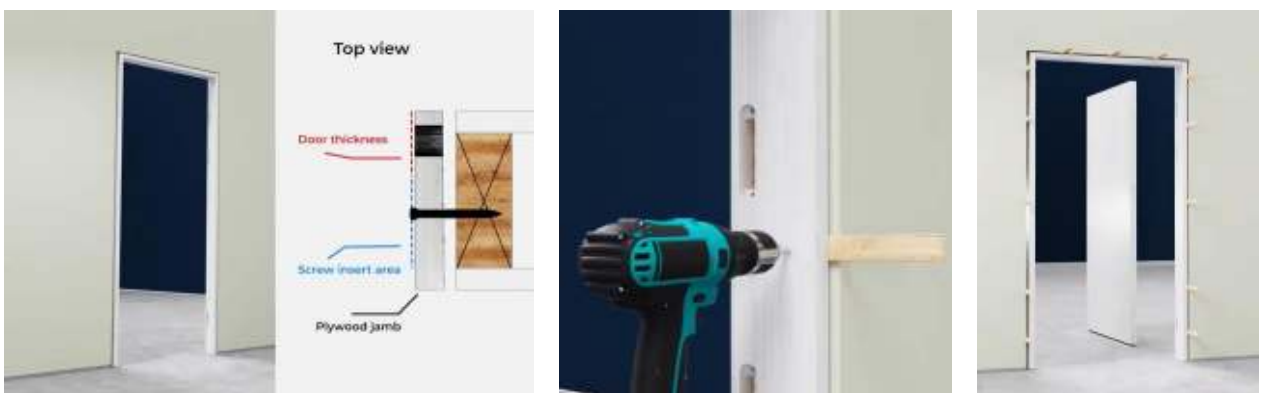
Verify the level of the wall and rough openings

Identify the furthest point out of level of the wall. (This is where the door is installed).



Installing the Plywood jamb frame

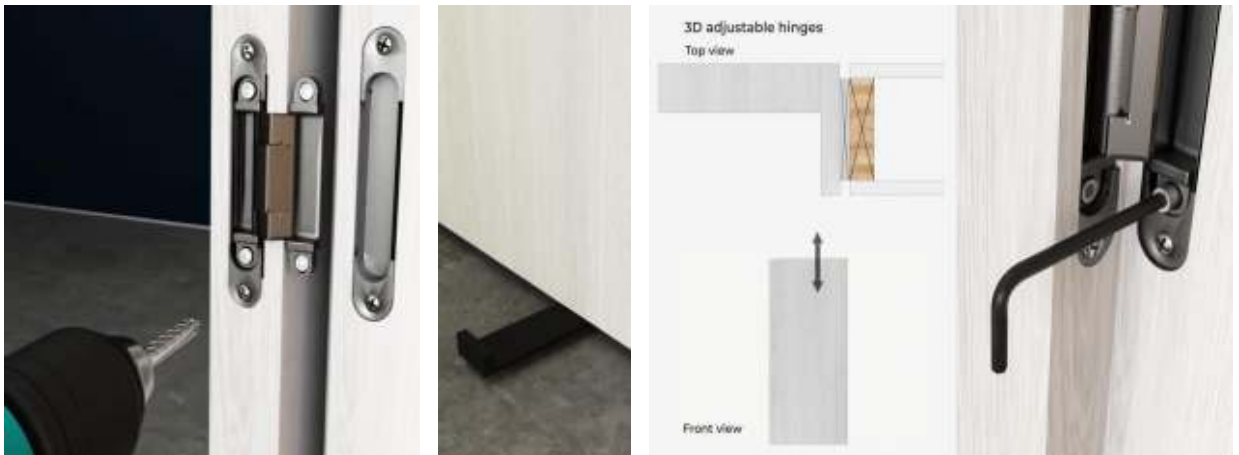
Place and screw wood shims leveling the Plywood jamb frame inside 2'x4' rough.



Ombra/ floating jamb with shadow reveal

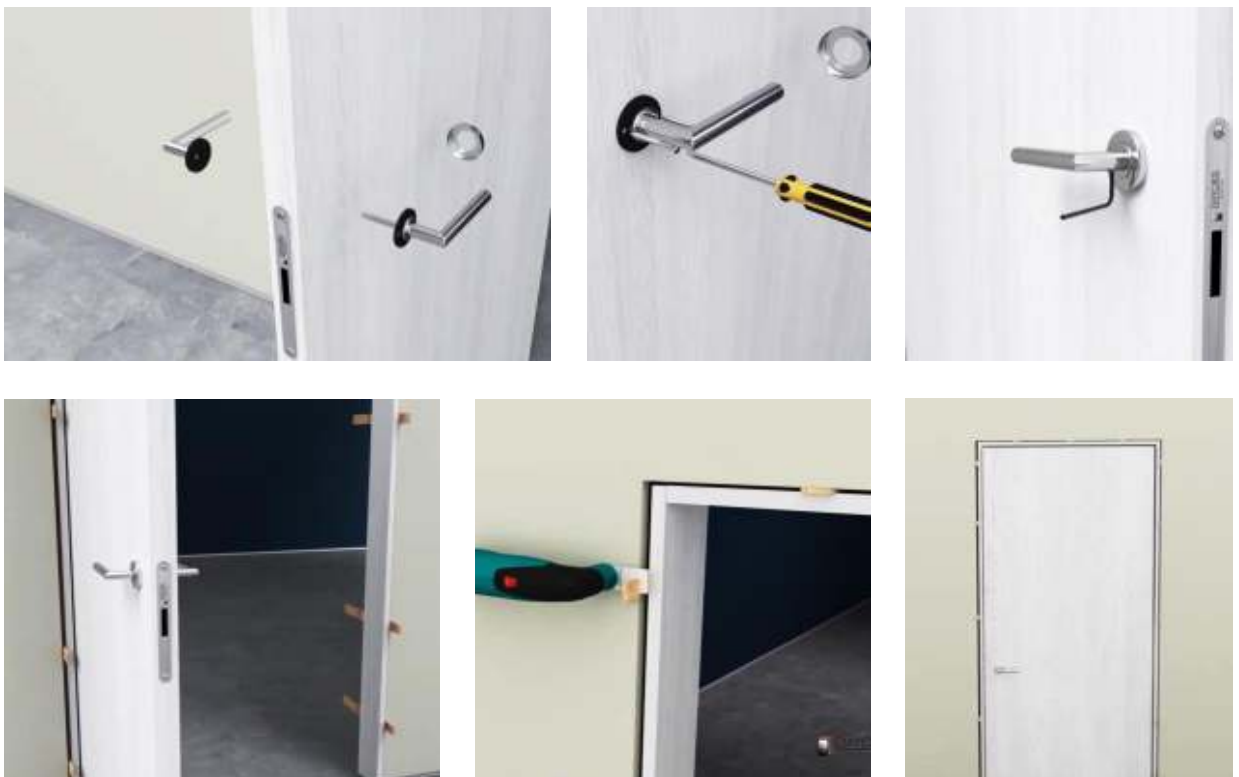
Hinge installation

Fit and screw hinges into the frame and door, then connect and screw hinges together while hanging door inside the plywood jamb frame. Use hinge adjustment screws to center door inside of the plywood jamb frame.



Handle installation

Screw handles into the mortised holes of the door and install rosettes. Proceed to cut the wood shims around the frame.



Ombra/ floating jamb with shadow reveal Finishing Technique

The Ombra Door is now installed

Shadow reveal (reglet) finish by others, must be plastered for finished appearance.

