

Filo/ flush with casing

SWING DOOR



 **DAYORIS**
DOORS

Types of Applications

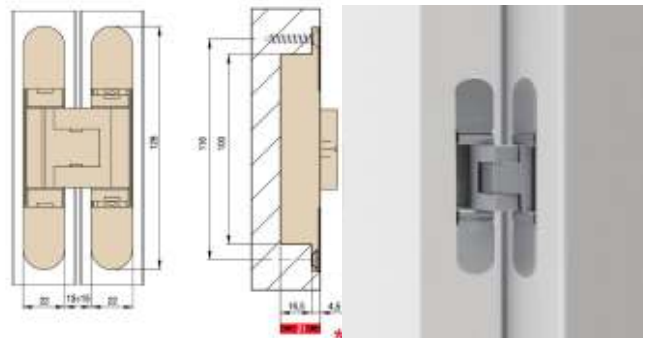


Finishes

Primed / Laminated Import

Laminated Suncrest / Matte Lacquer

Wood veneer



What's included

Technical Specifications:
 Solid Core Door Slab
 Finish – Designer's choice
 Hinges – CEAM Italia 3D adjustable
 Frame – Wood finished
 Handset – DAYORIS Italia
 Mortise – Bonaiti Magnetic
 Design – Designers Choice

Frame Profile Finishes



Clear Aluminum Frame

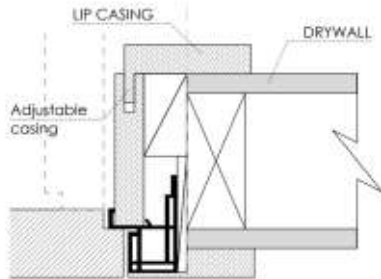


* Black Aluminum Frame

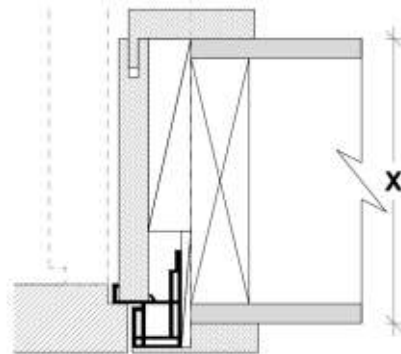
* Optional Upgrades

Benefits of Filo/ flush with casing

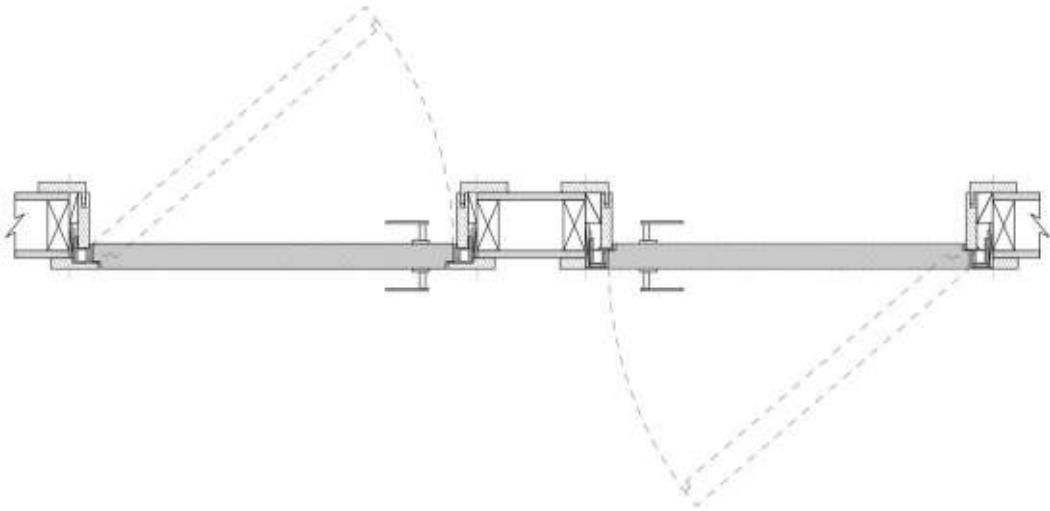
Adjustable Casing



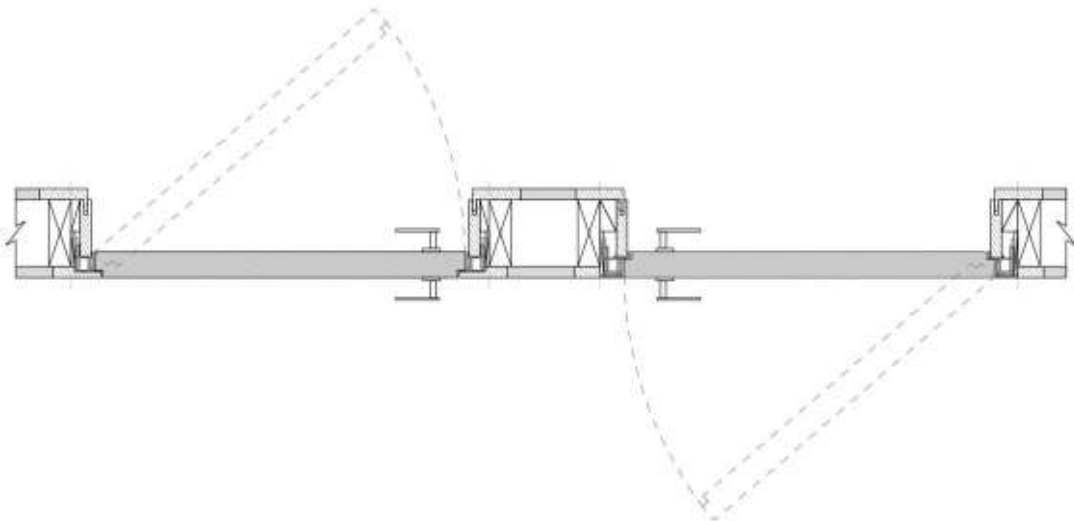
Any Wall Thickness



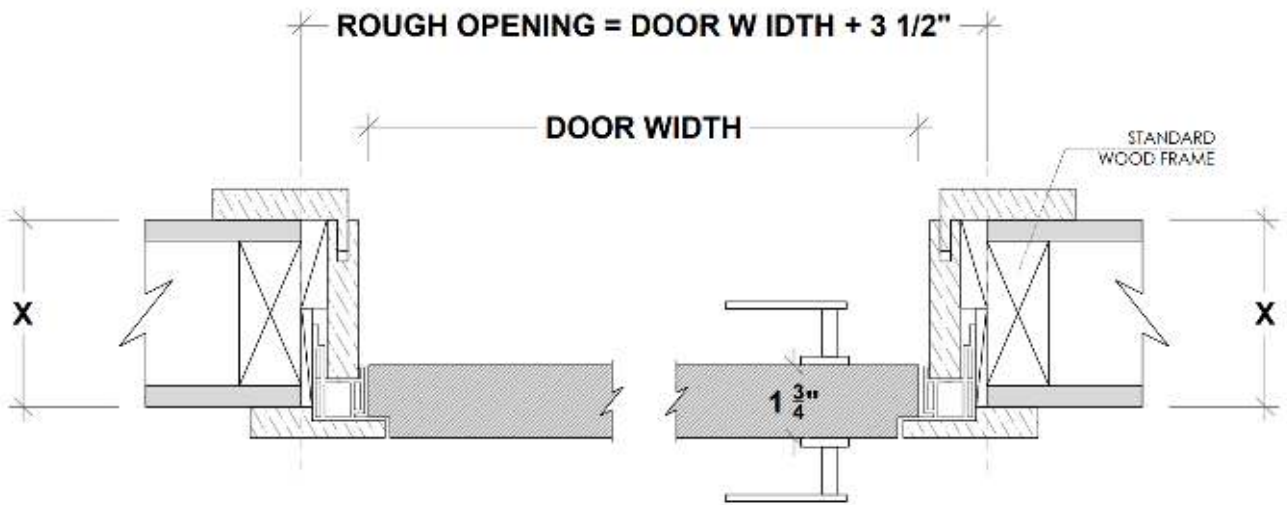
Always flush on the outside of the wall regardless of the door swing.



Can also be installed flush with the wall.

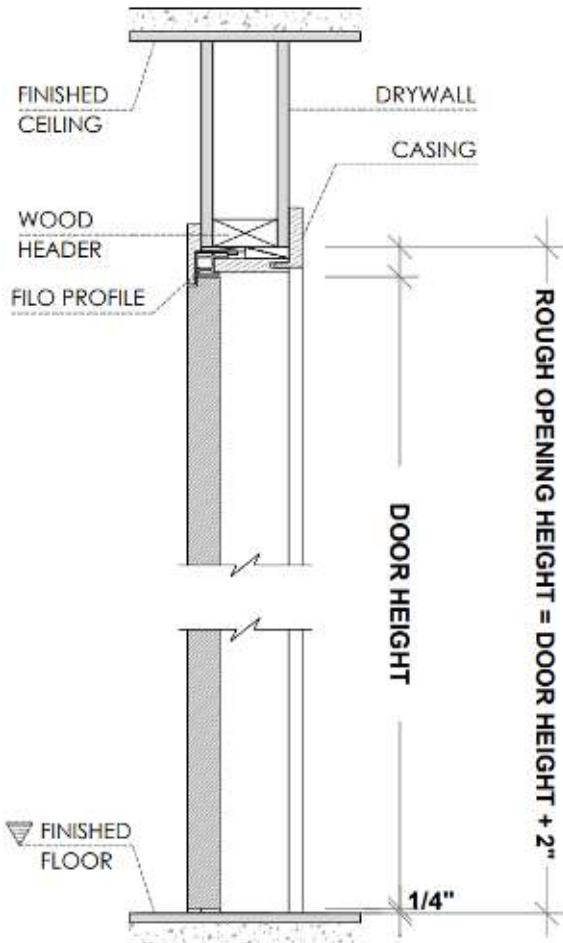


Framing Instructions Filo/ flush with casing

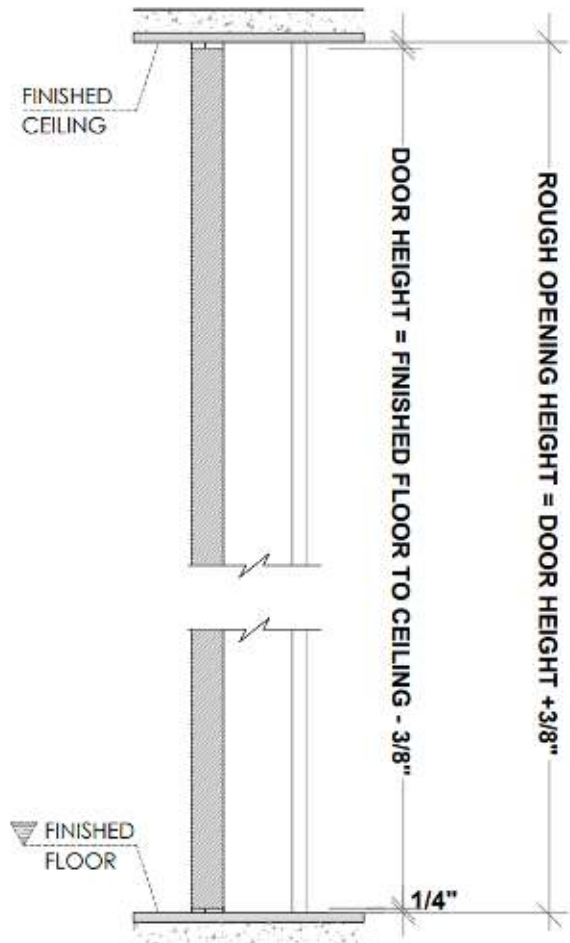


X = THE WALL CAN BE ANY THICKNESS
 ALL OPENINGS MUST HAVE WOOD SUPPORT (2" x 4", 2" x 6", 2" x 8", ...)

Standard Application



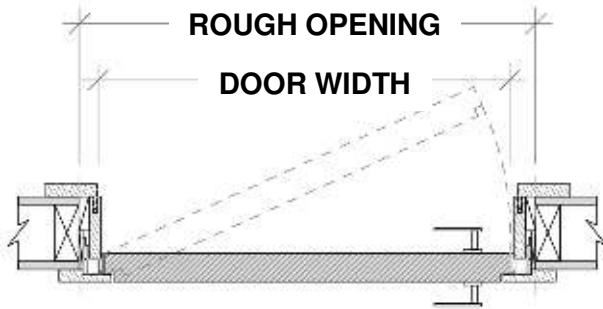
Floor to Ceiling Application



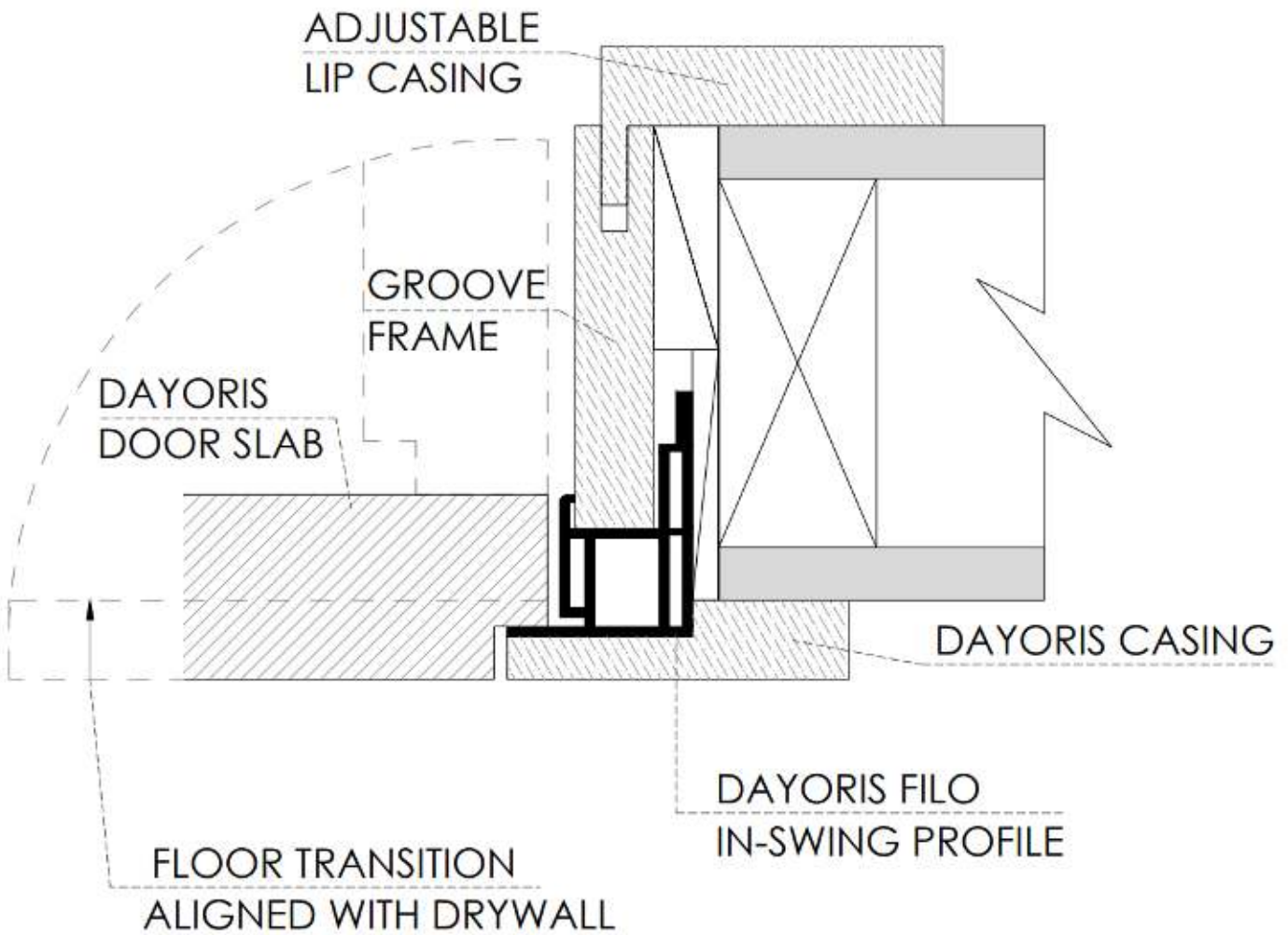
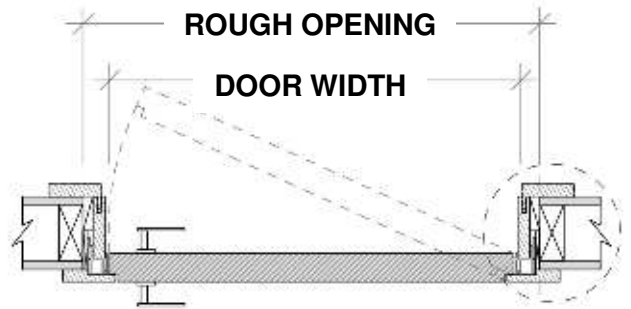
PLEASE ACCOUNT FOR FINISHED FLOOR FOR ALL MEASUREMENTS GIVEN TO DAYORIS.

Inswing Application

Left Hand Inswing

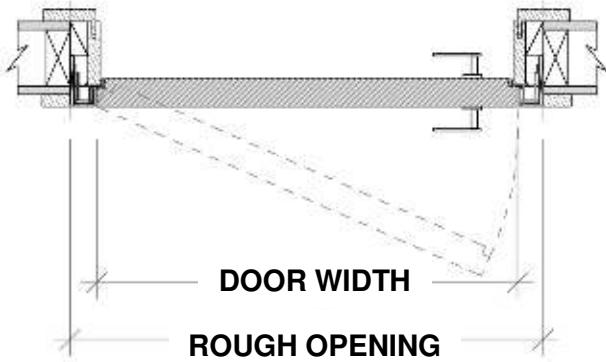


Right Hand Inswing

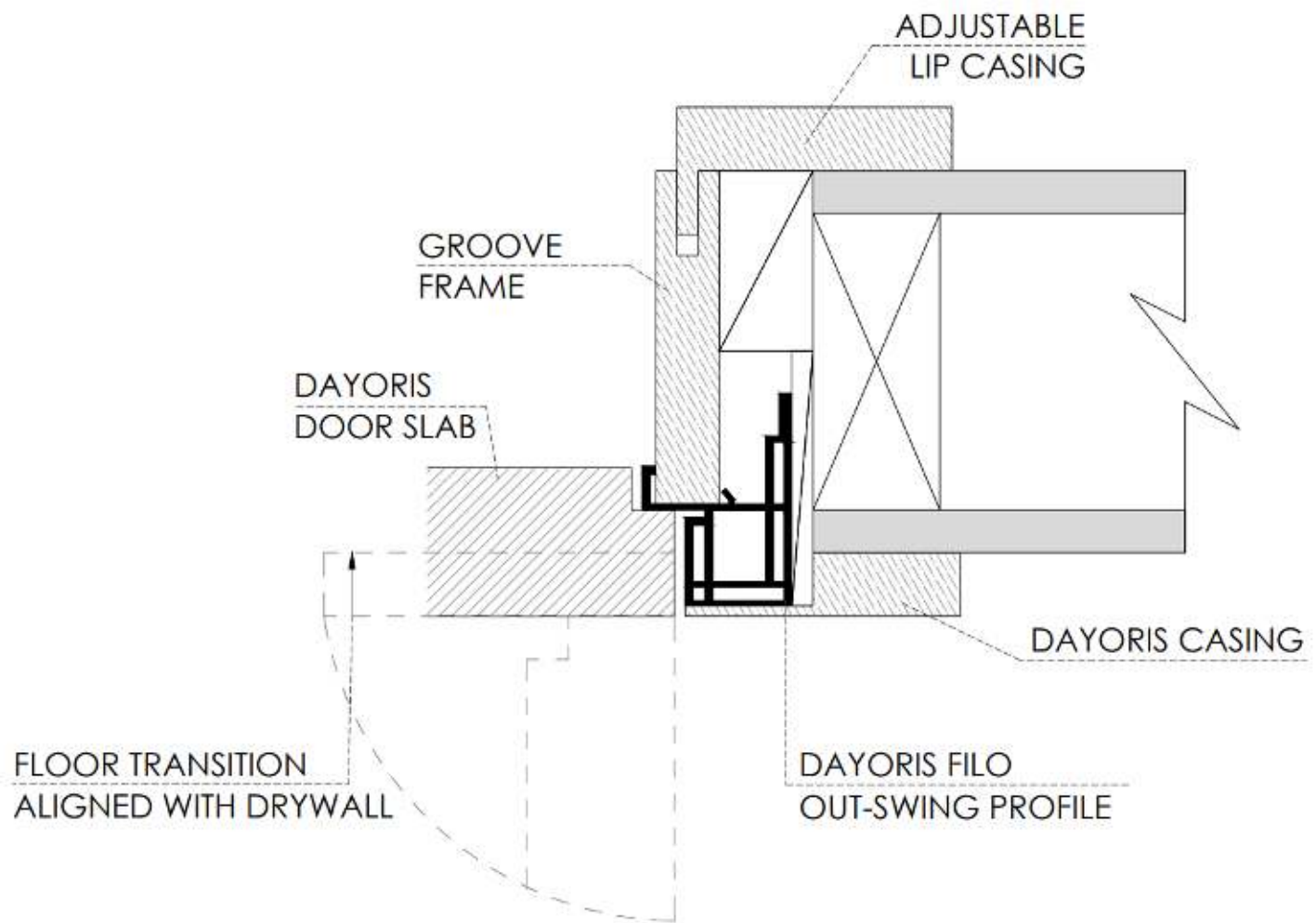
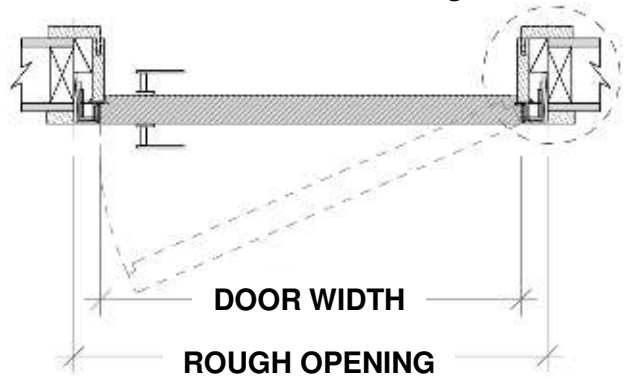


Outswing Application

Right Hand Outswing

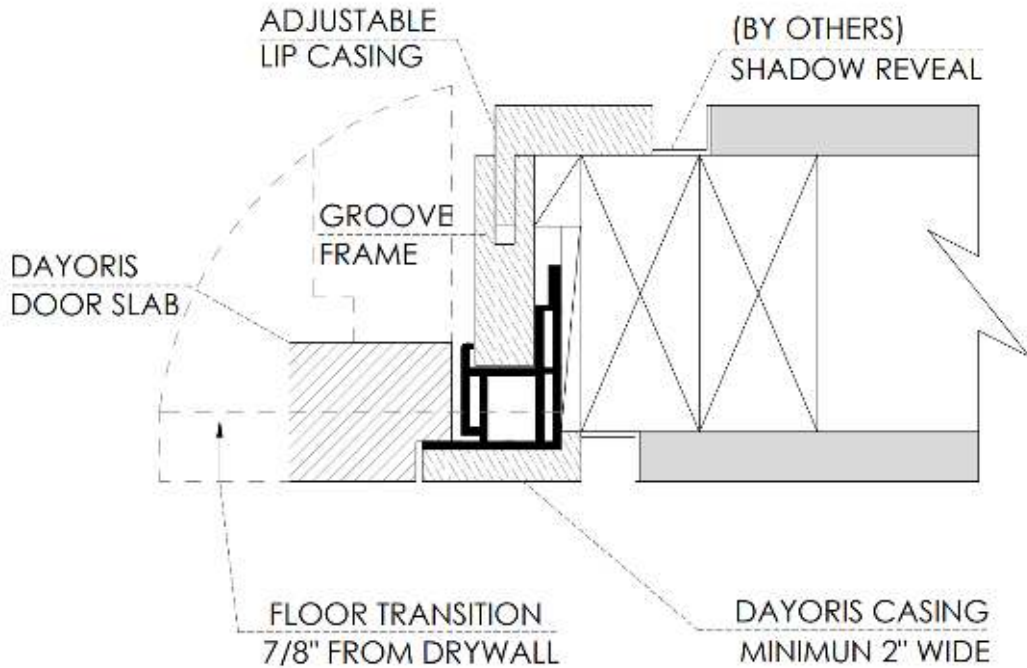


Left Hand Outswing



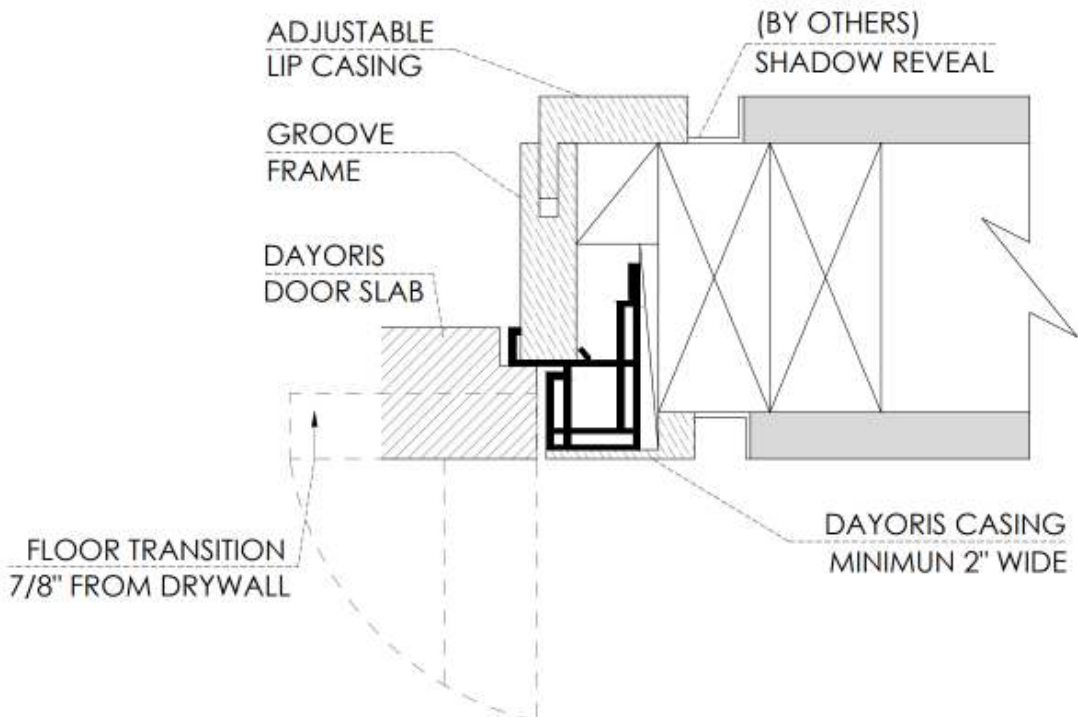
Inswing Application

Flush with drywall with floating reveal



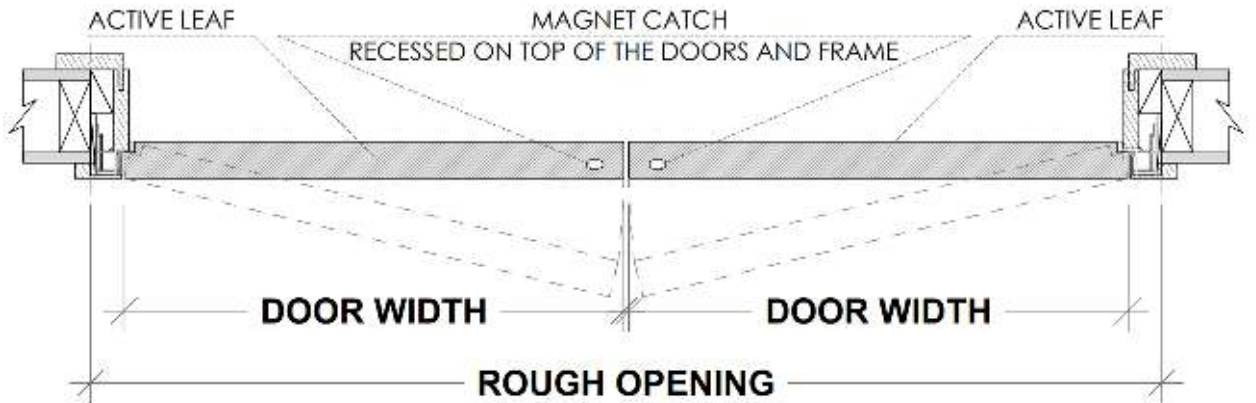
Outswing Application

Flush with drywall with floating reveal



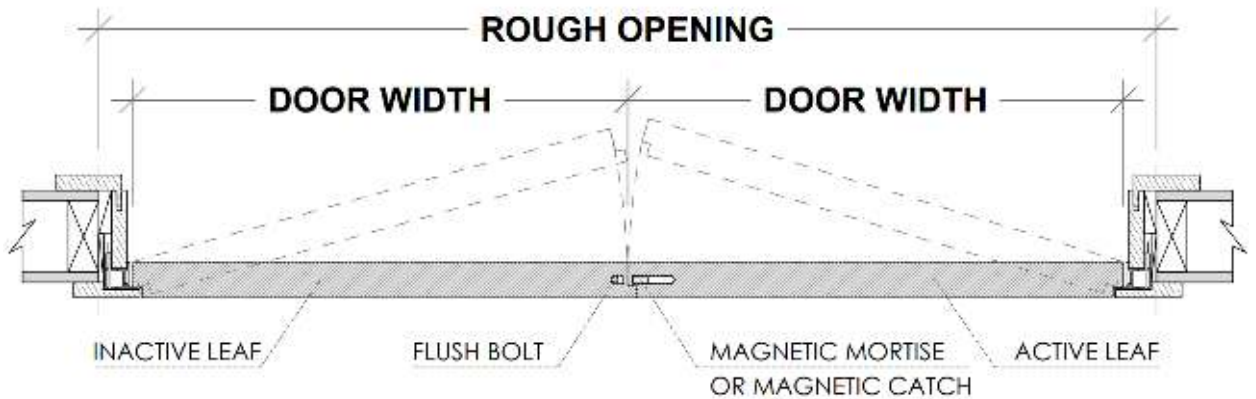
Double Door Applications Filo/ flush with casing

Double Door with Double Dummy Application with magnetic catch (both active)



$$\text{ROUGH OPENING} = (\text{DOOR WIDTH} \times 2) + 3 \frac{1}{2}"$$

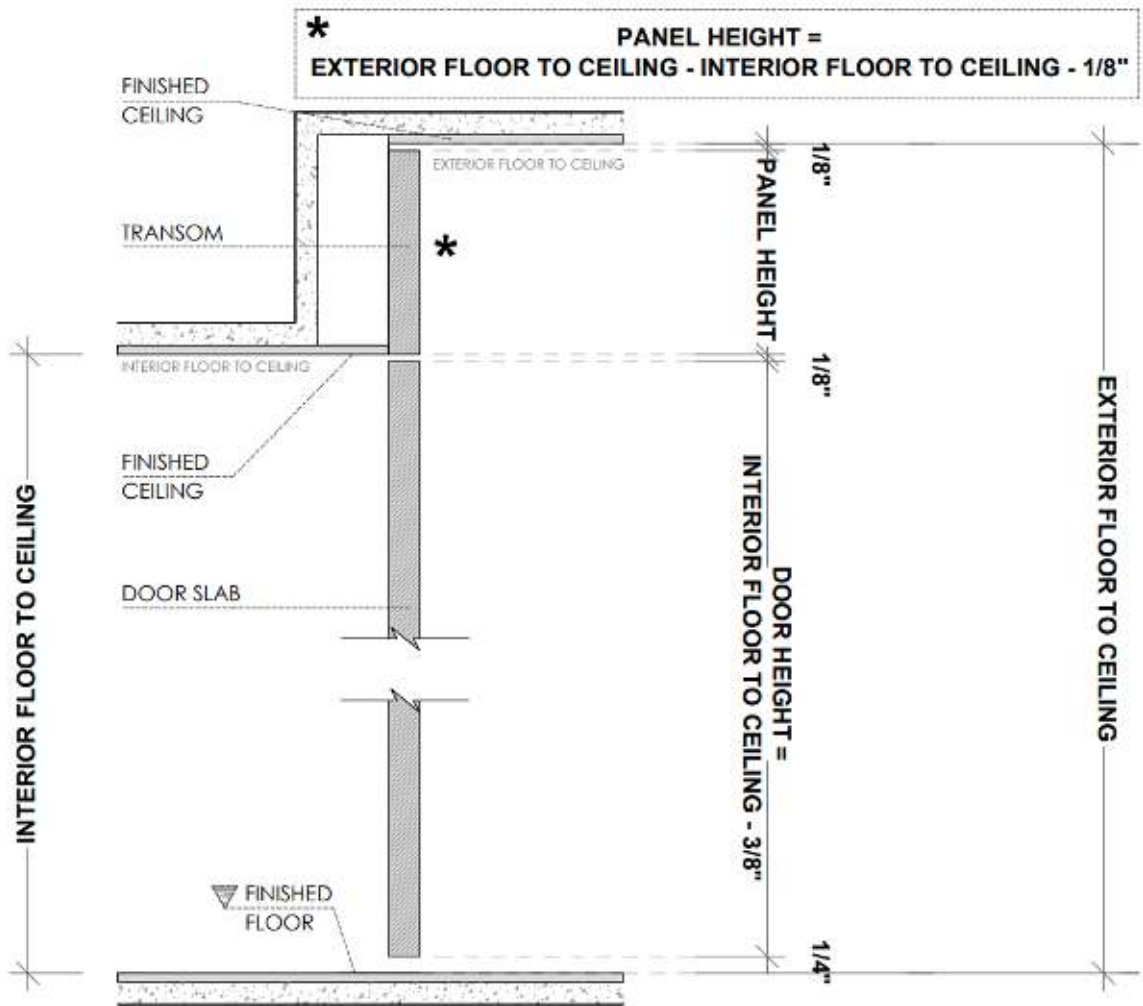
Active / Inactive Door with flush bolts



RHA (RIGHT HAND ACTIVE) SHOWN

$$\text{ROUGH OPENING} = (\text{DOOR WIDTH} \times 2) + 3 \frac{1}{2}"$$

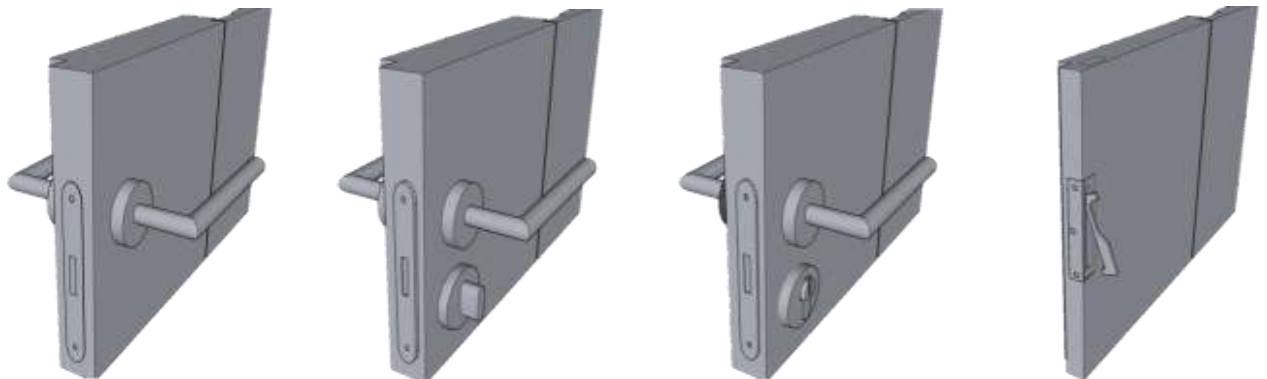
Filo with Transom Application



Hardware



Lock Types for Swing Doors



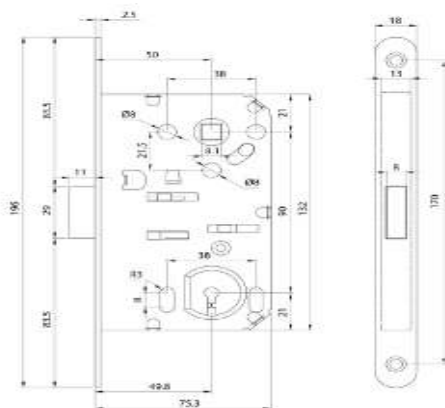
Passage (PA)

Privacy (PV)

Privacy Keyed *

Knife pull + Magnet catch

Bonaiti Magnetic Lock



* Optional Upgrades

Filo/ flush with casing

Installation Instructions

Doors and frames arrive mortised and cut to size.



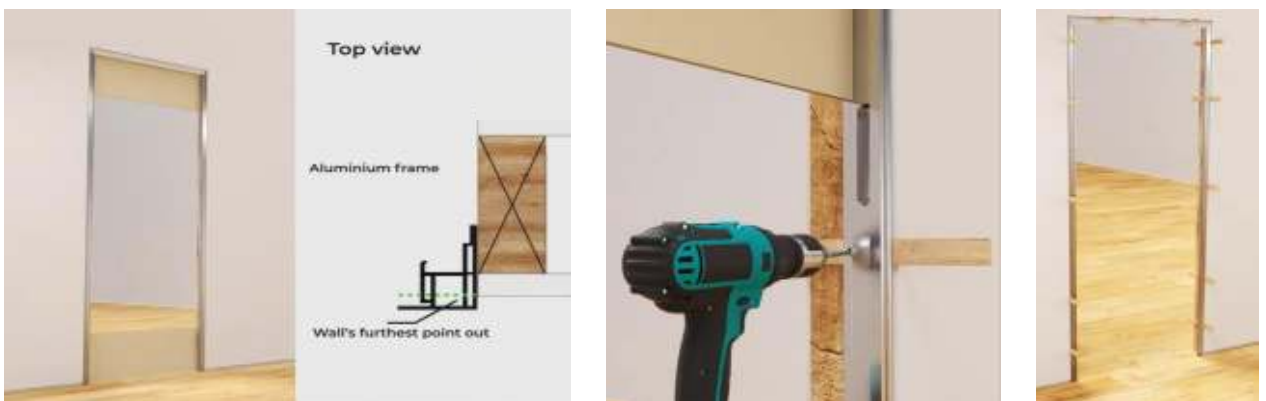
Verify the level of the wall and rough openings

Identify the furthest point out of level of the wall. (This is where the door is installed).



Installing the aluminum frame

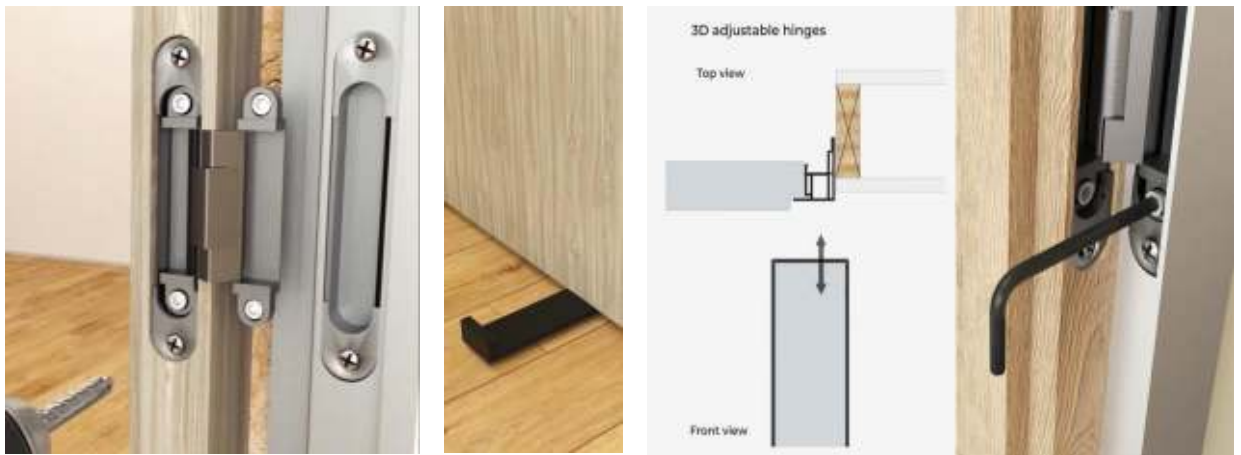
Place and screw wood shims leveling the aluminum frame inside 2'x4' rough, then remove frame stabilizers.



Filo/ flush with casing

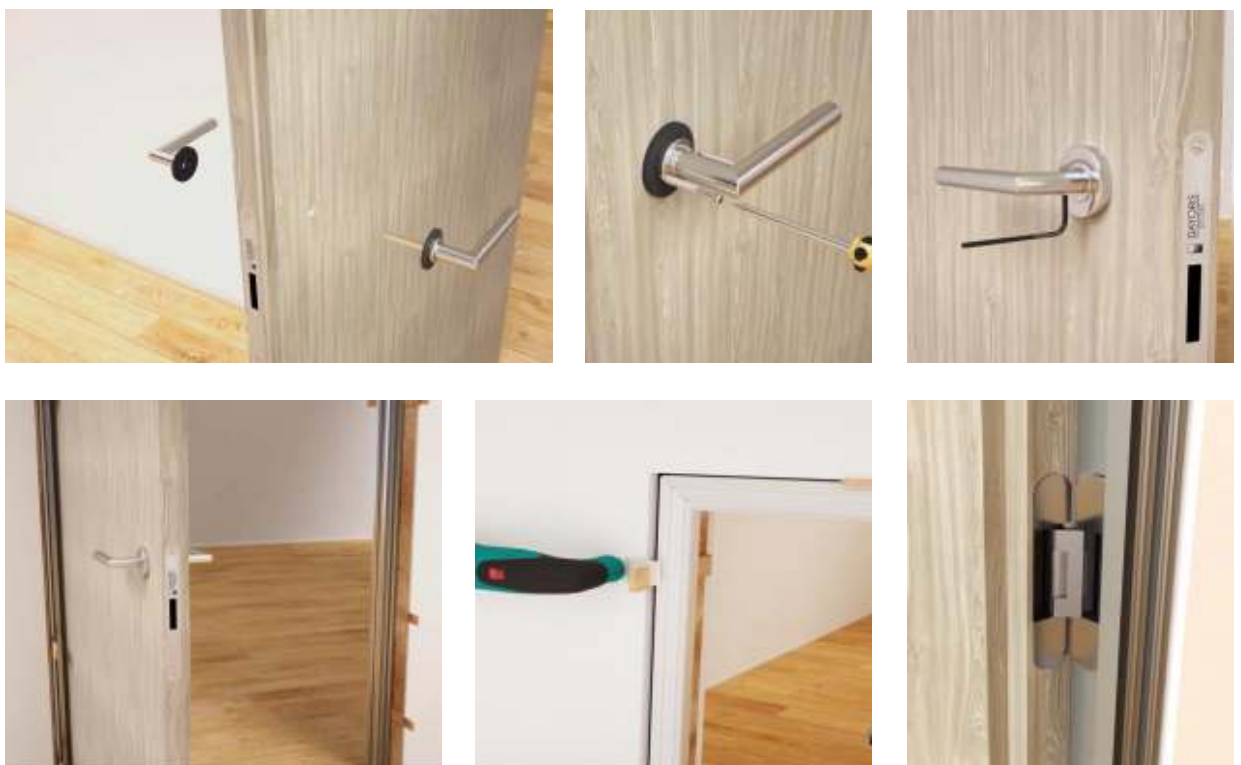
Hinge installation

Fit and screw hinges into the frame and door, then connect and screw hinges together while hanging door inside the aluminum frame. Use hinge adjustment screws to center door inside of the aluminum frame.



Handle installation

Screw handles into the mortised holes of the door and install rosettes. Proceed to cut the wood shims around the frame.



Filo/ flush with casing

Finishing Technique

Flush to the wall

Front side: Install casing tight against the door.



Rear side: Install groove piece jamb, then proceed to install the lip casing in the groove piece jamb.

