

**Filo/** flush with casing

SWING DOOR



 **DAYORIS**  
DOORS

# Types of Applications

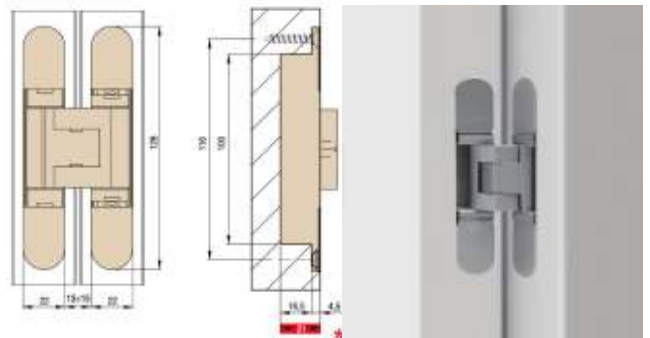


## Finishes

Primed / Laminated Import

Laminated Suncrest / Matte Lacquer

Wood veneer



## What's included

Technical Specifications:  
 Solid Core Door Slab  
 Finish – Designer's choice  
 Hinges – CEAM Italia 3D adjustable  
 Frame – Wood finished  
 Handset – DAYORIS Italia  
 Mortise – Bonaiti Magnetic  
 Design – Designers Choice

## Frame Profile Finishes



Clear Aluminum Frame

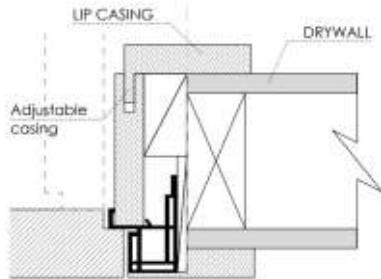


\* Black Aluminum Frame

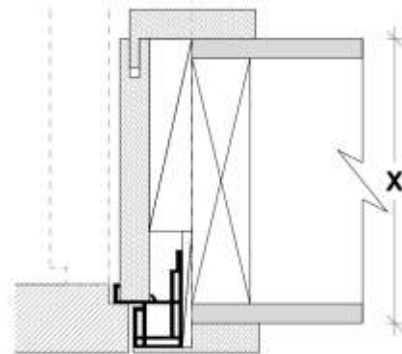
\* Optional Upgrades

# Benefits of Filo/ flush with casing

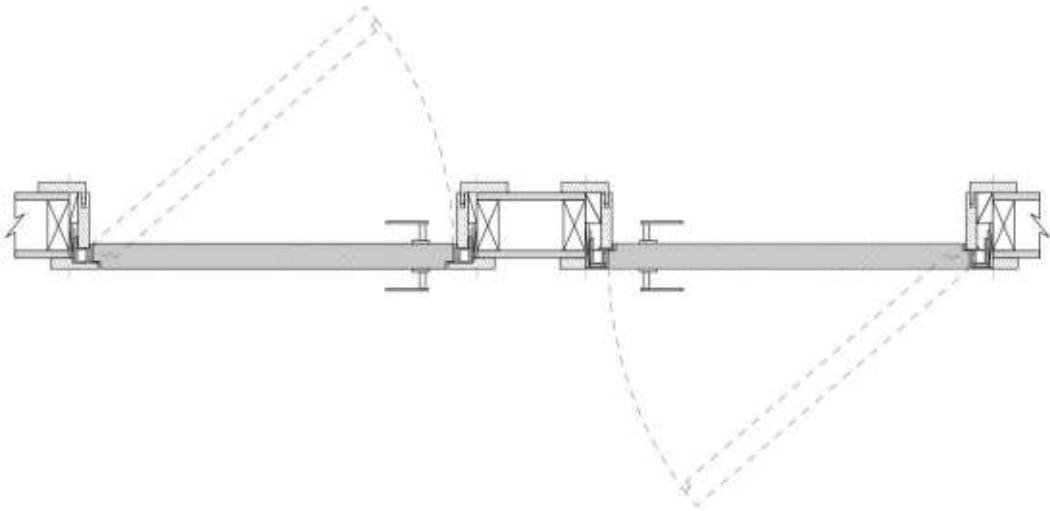
## Adjustable Casing



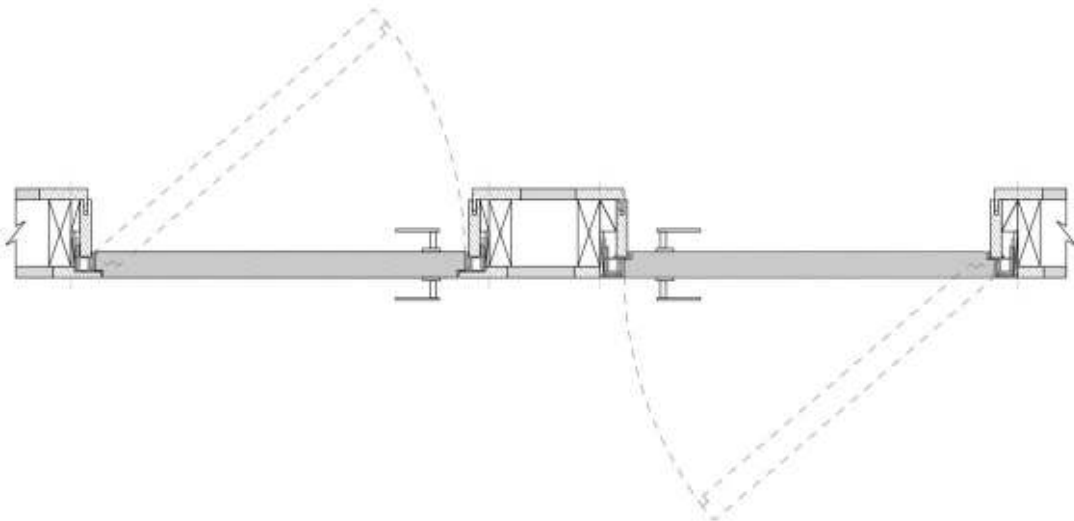
## Any Wall Thickness



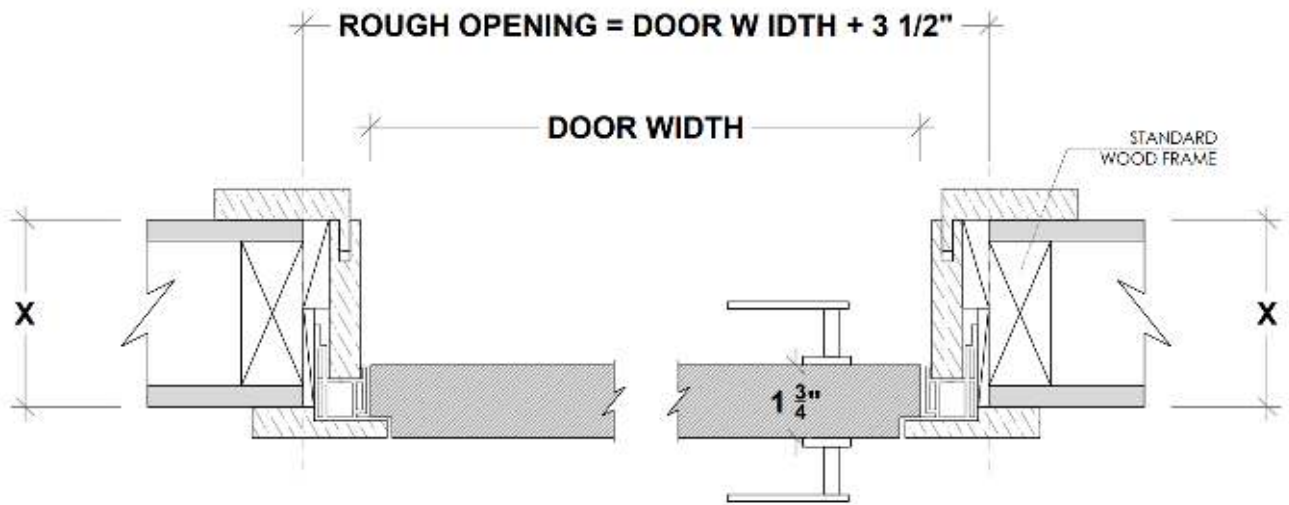
Always flush on the outside of the wall regardless of the door swing.



Can also be installed flush with the wall.

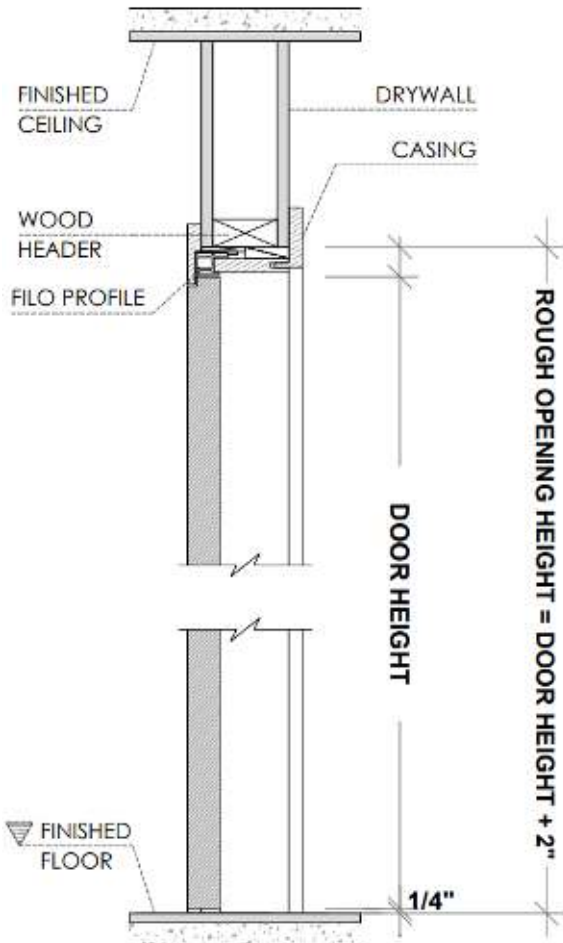


# Framing Instructions Filo/ flush with casing

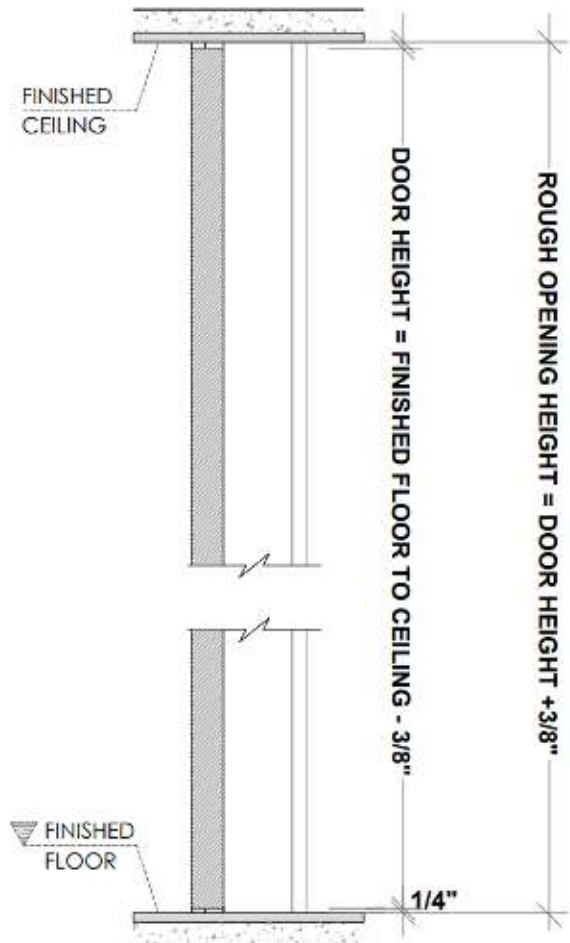


X = THE WALL CAN BE ANY THICKNESS  
 ALL OPENINGS MUST HAVE WOOD SUPPORT ( 2" x 4", 2" x 6", 2" x 8", ... )

## Standard Application



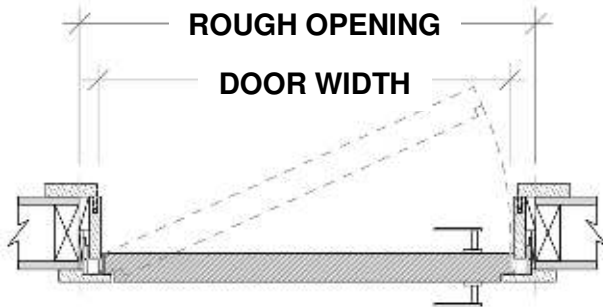
## Floor to Ceiling Application



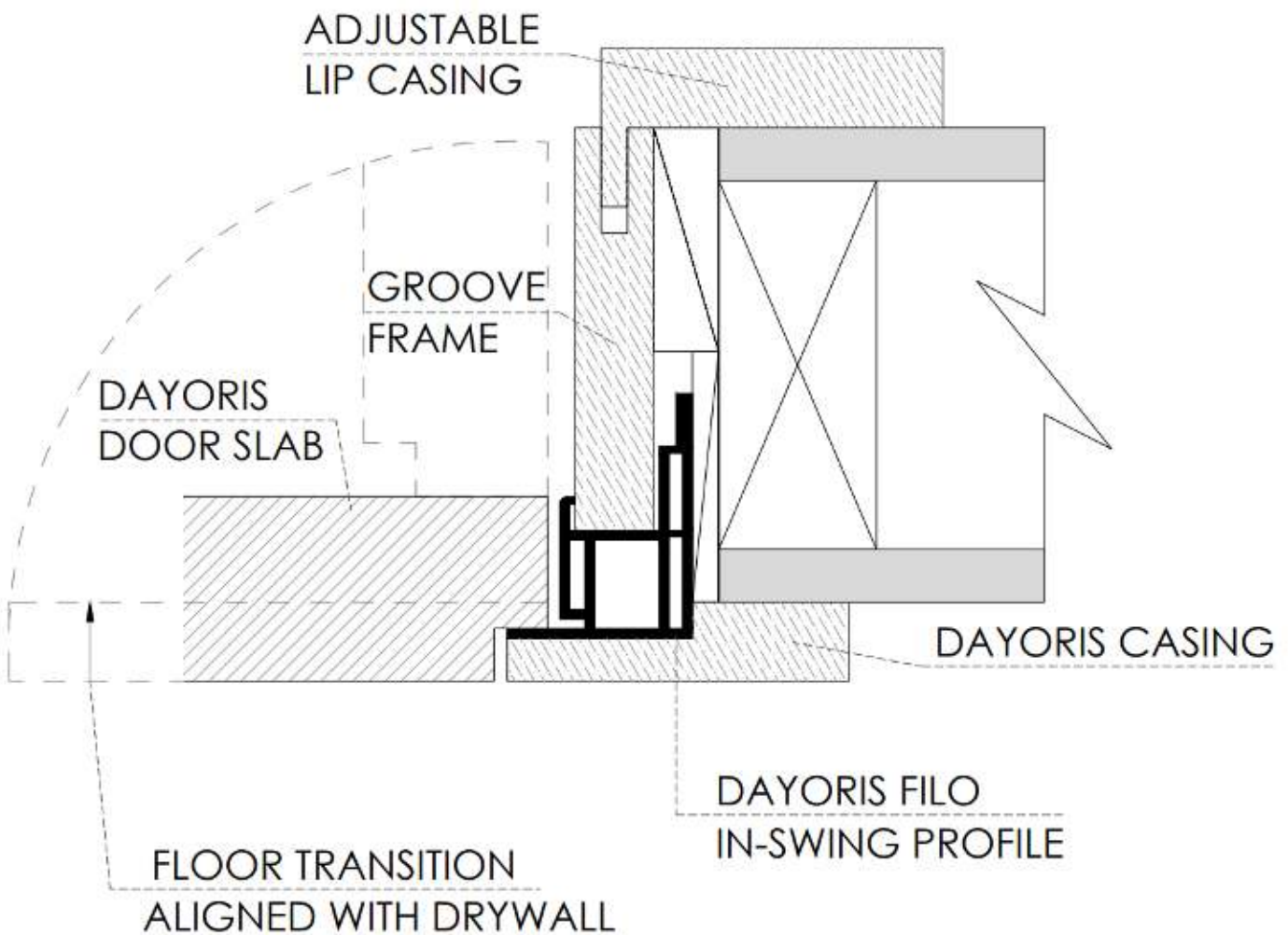
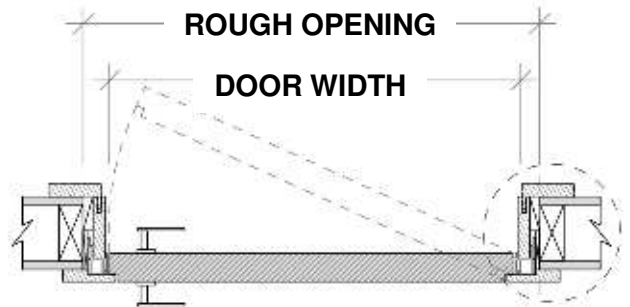
PLEASE ACCOUNT FOR FINISHED FLOOR FOR ALL MEASUREMENTS GIVEN TO DAYORIS.

# Inswing Application

## Left Hand Inswing

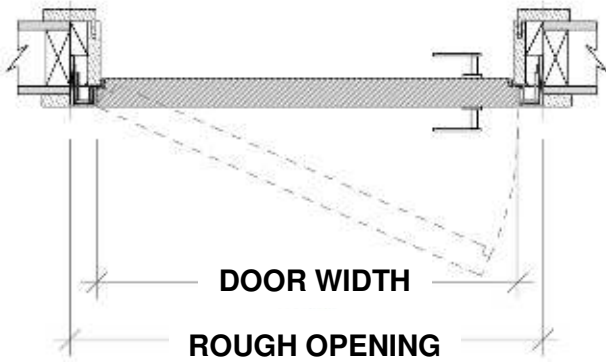


## Right Hand Inswing

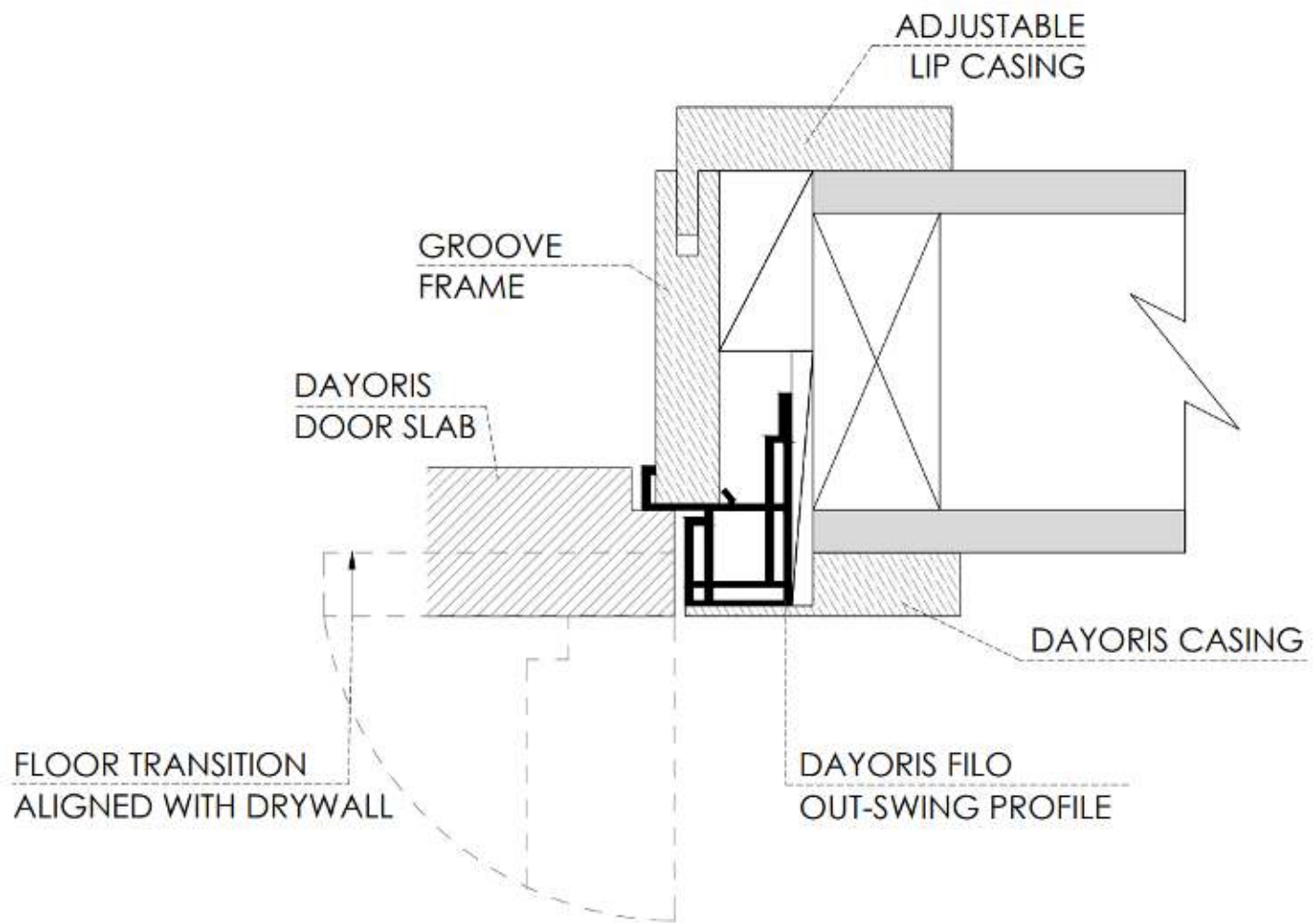
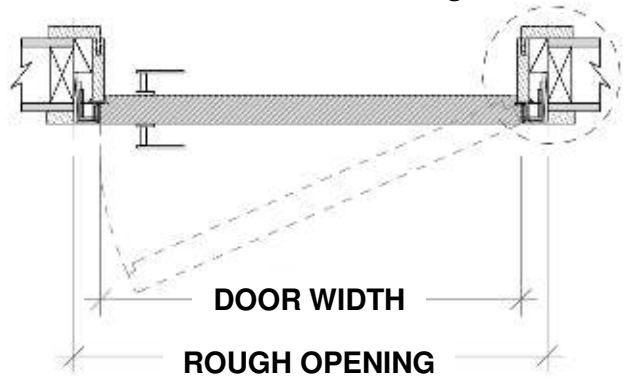


# Outswing Application

Right Hand Outswing

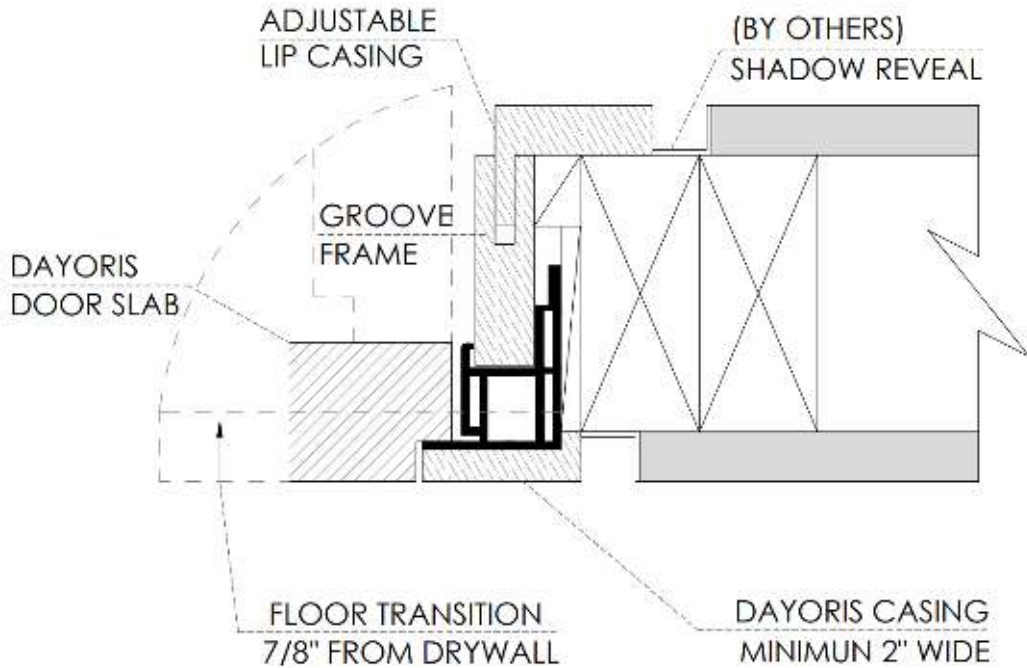


Left Hand Outswing



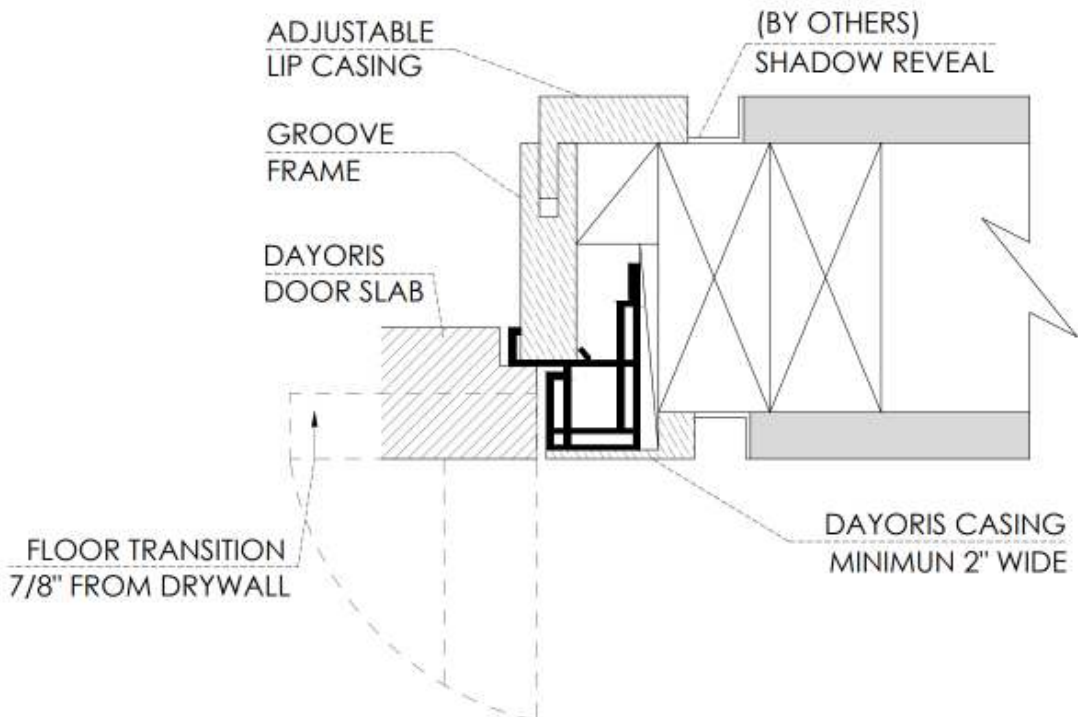
# Inswing Application

Flush with drywall with floating reveal



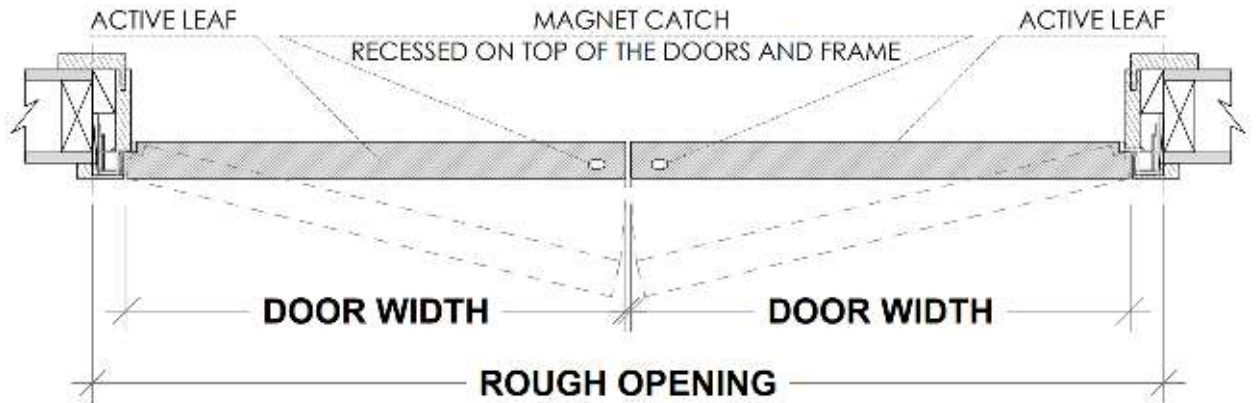
# Outswing Application

Flush with drywall with floating reveal



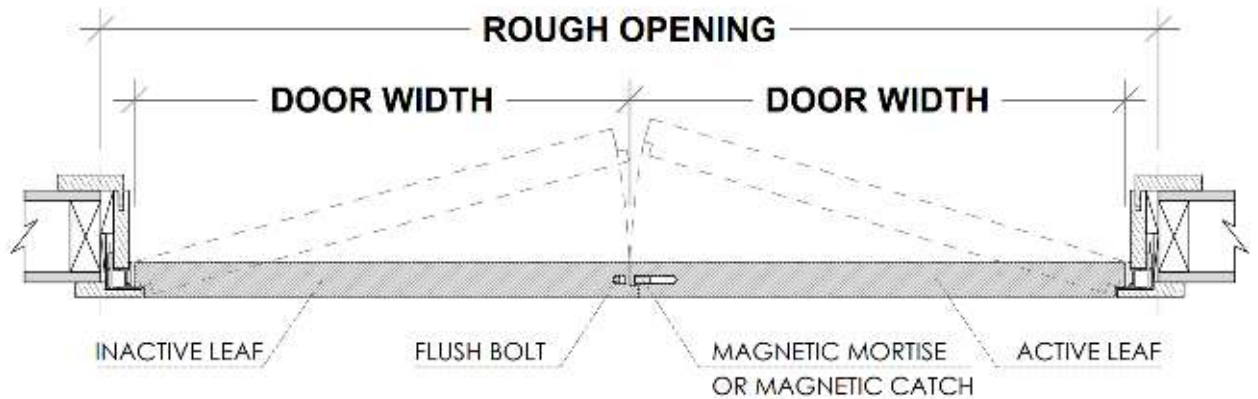
# Double Door Applications Filo/ flush with casing

Double Door with Double Dummy Application with magnetic catch ( both active )



$$\text{ROUGH OPENING} = (\text{DOOR WIDTH} \times 2) + 3 \frac{1}{2}"$$

## Active / Inactive Door with flush bolts

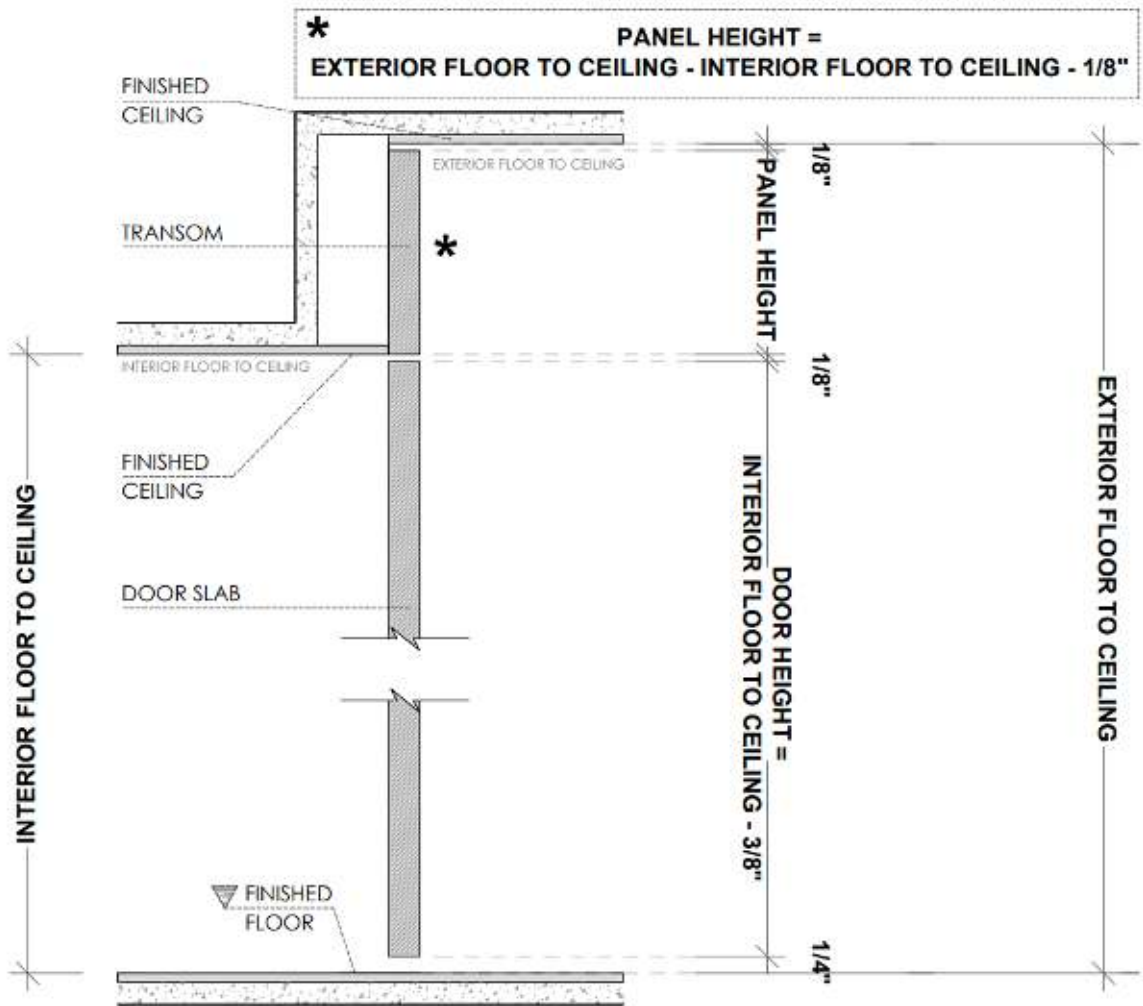


RHA (RIGHT HAND ACTIVE) SHOWN

$$\text{ROUGH OPENING} = (\text{DOOR WIDTH} \times 2) + 3 \frac{1}{2}"$$



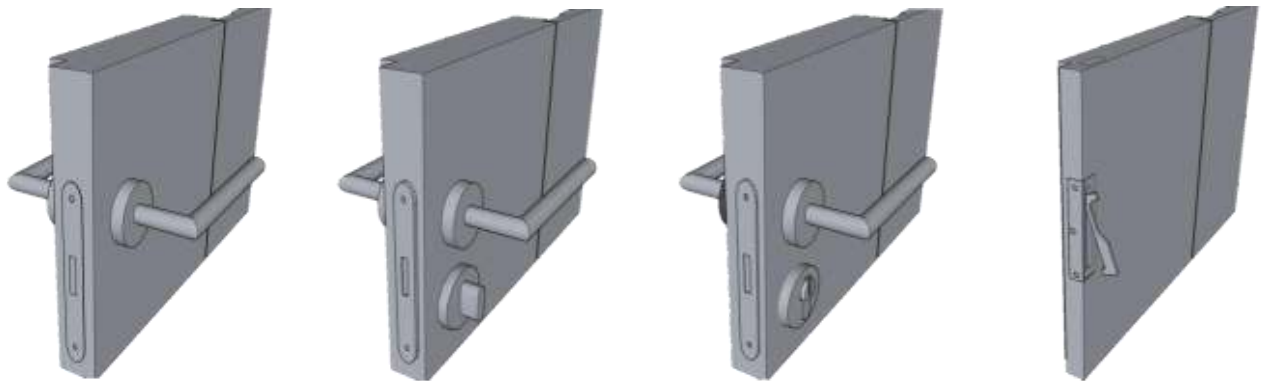
# Filo with Transom Application



# Hardware



# Lock Types for Swing Doors



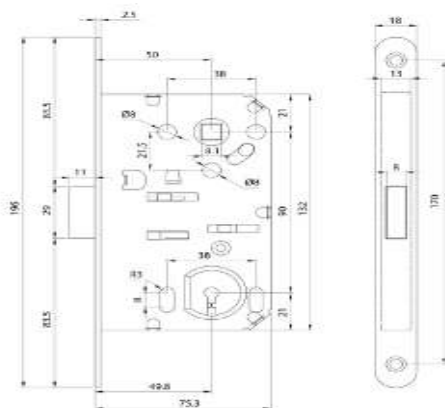
Passage (PA)

Privacy (PV)

Privacy Keyed \*

Knife pull + Magnet catch

# Bonaiti Magnetic Lock



\* Optional Upgrades

# Filo/ flush with casing

## Installation Instructions

Doors and frames arrive mortised and cut to size.



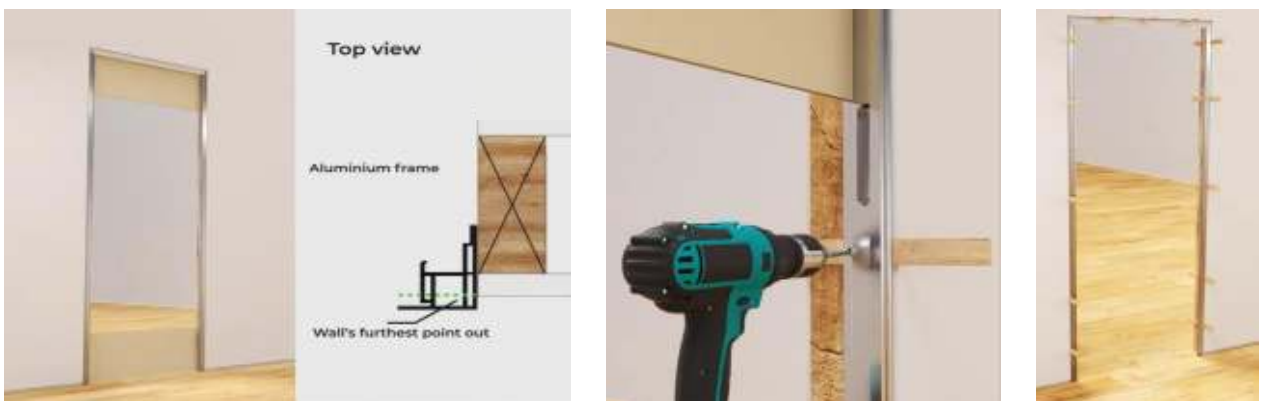
### Verify the level of the wall and rough openings

Identify the furthest point out of level of the wall. (This is where the door is installed).



### Installing the aluminum frame

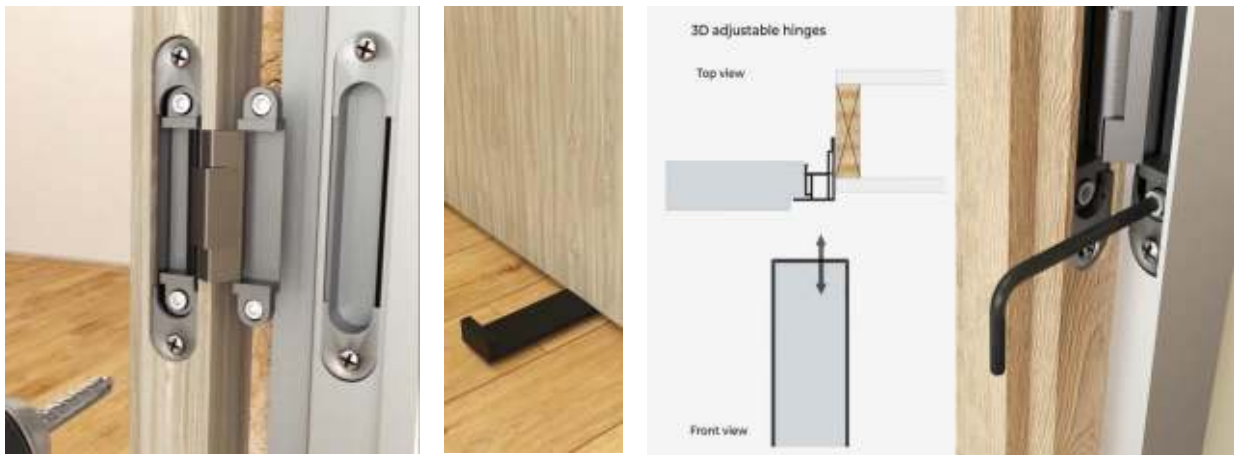
Place and screw wood shims leveling the aluminum frame inside 2'x4' rough, then remove frame stabilizers.



# Filo/ flush with casing

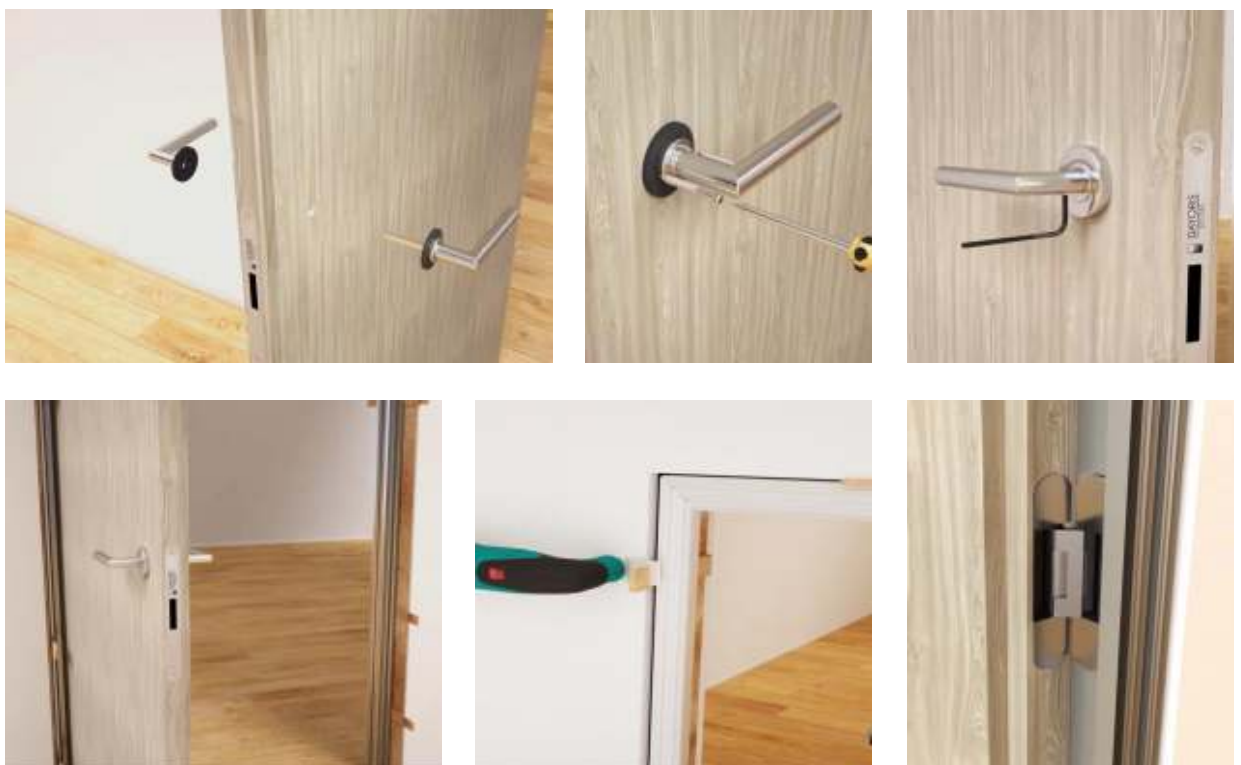
## Hinge installation

Fit and screw hinges into the frame and door, then connect and screw hinges together while hanging door inside the aluminum frame. Use hinge adjustment screws to center door inside of the aluminum frame.



## Handle installation

Screw handles into the mortised holes of the door and install rosettes. Proceed to cut the wood shims around the frame.



# Filo/ flush with casing Finishing Technique

## Flush to the wall

Front side: Install casing tight against the door.



Rear side: Install groove piece jamb, then proceed to install the lip casing in the groove piece jamb.

