

**Filo muro/** frameless

POCKET DOOR



 **DAYORIS**  
DOORS

# Types of Applications



## Finishes

- Primed / Laminated Import
- Laminated Suncrest / Matte Lacquer
- Wood veneer

## What's included

- Technical Specifications:
- Solid Core Door Slab
- Finish – Designer's choice
- Handset – DAYORIS Italia
- Design – Designers Choice

## Applications

Standard Application



Floor to Ceiling Application \*

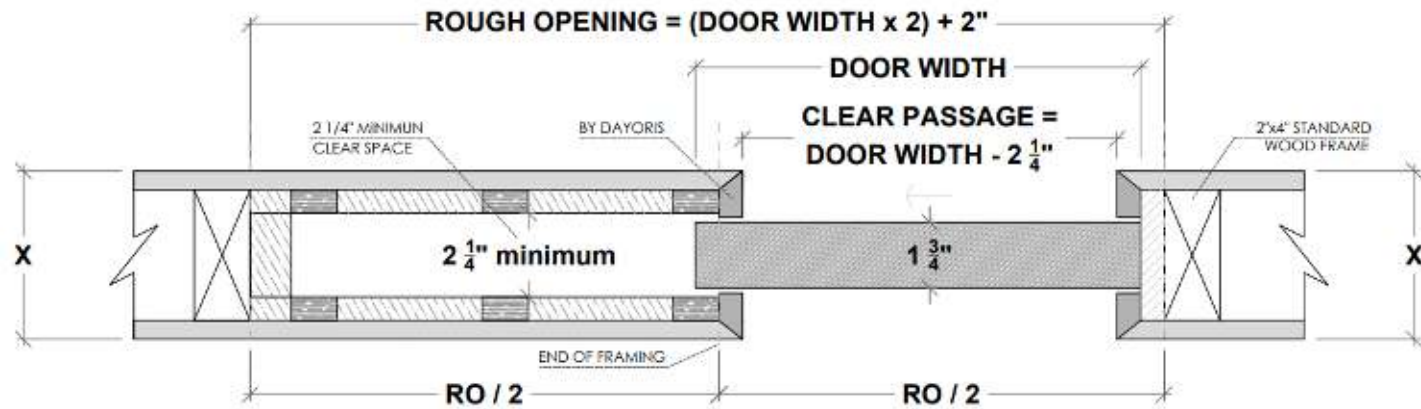


\* Optional Upgrade

# 1. Builders grade Pocket Frame Kit

## Limited to Door size up to 3' x 8'

Usually provided by others, available from Dayoris as an optional upgrade. (for optimal use, Dayoris recommend option 2, framing with 2x6).



X = THE WALL CAN BE ANY THICKNESS

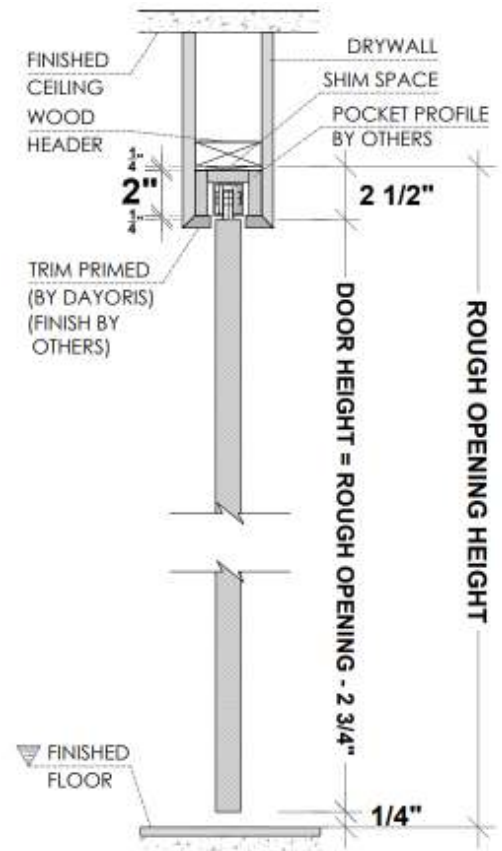
ALL OPENINGS MUST HAVE WOOD SUPPORT ( 2 x 4, 2 x 6, 2 x 8, ... )

## 1.a Standard Application with Builders Pocket Frame

**HAFELE Track**

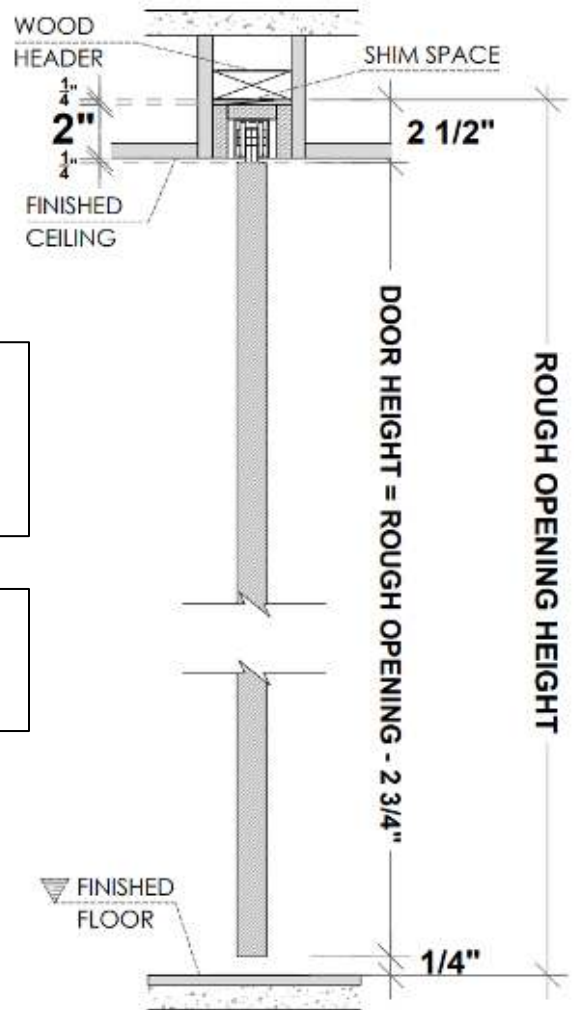
**RO = DH (Door Height) + 2 3/4"**

(from Finished Floor)



PLEASE ACCOUNT FOR FINISHED FLOOR FOR ALL MEASUREMENTS GIVEN TO DAYORIS

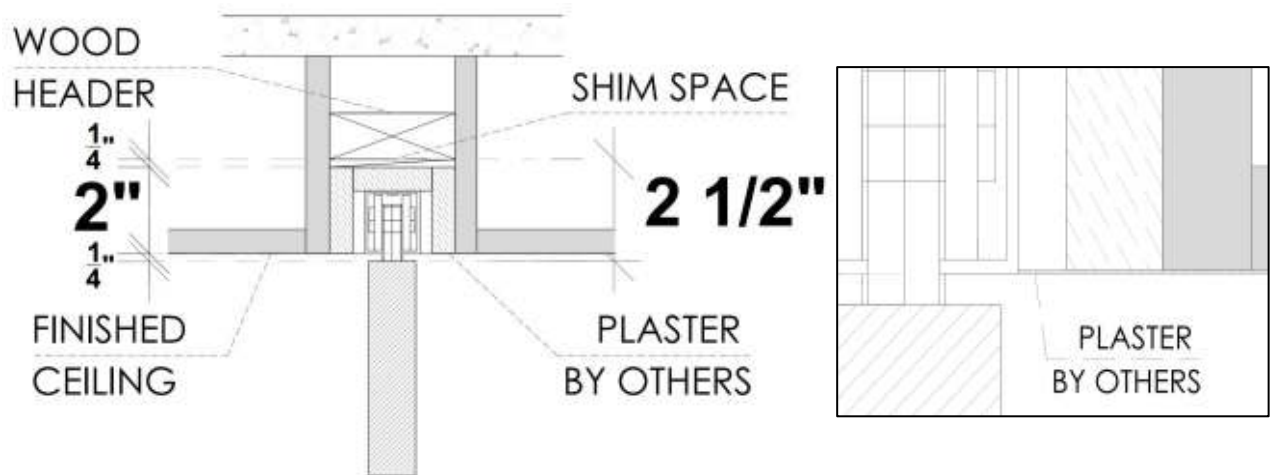
# 1.b Floor to Ceiling Application with Builders Pocket Frame Kit



**HAFELE Track**  
 $RO = DH \text{ (Door Height)} + 2 \frac{3}{4}''$   
 (from Finished Floor)

**DH (Door Height) =**  
 Finished Floor to Finished Ceiling -  $\frac{1}{2}''$

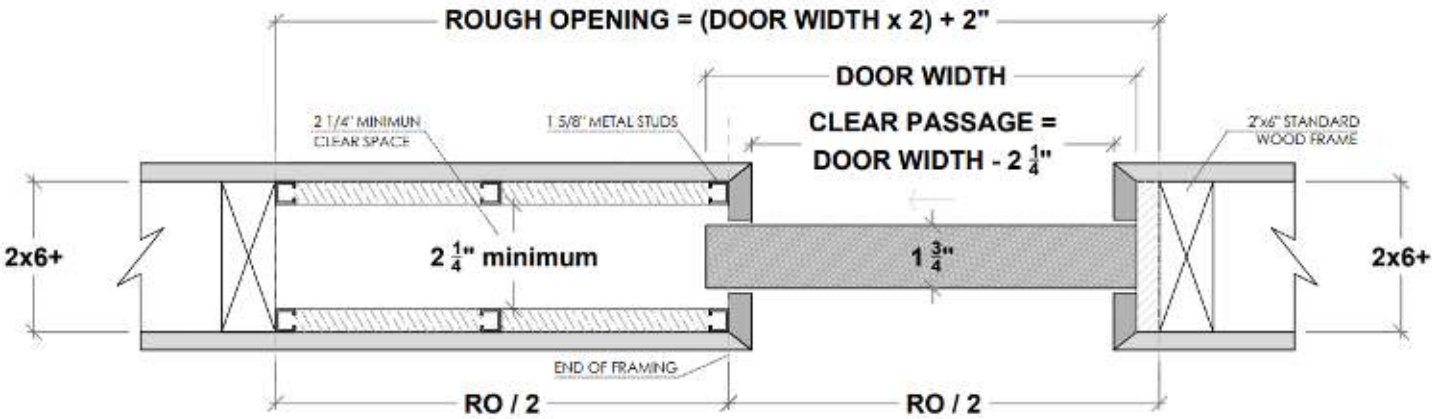
**Support at  $2 \frac{1}{4}''$  above finished ceiling**



PLEASE ACCOUNT FOR FINISHED FLOOR FOR ALL MEASUREMENTS GIVEN TO DAYORIS

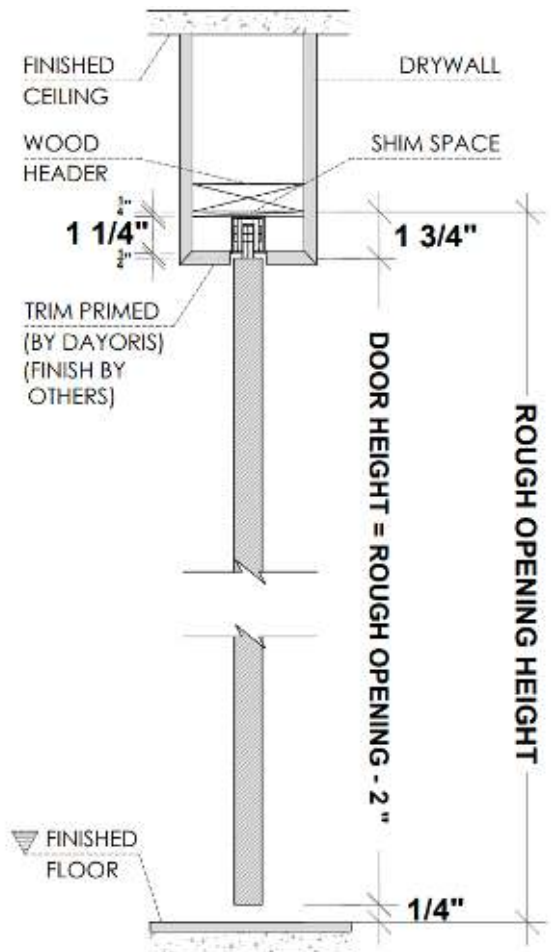
## 2. Pocket Frame with 2x6 and 1 5/8" Studs Structure (by others)

### Recommended Application



ALL OPENINGS MUST HAVE WOOD SUPPORT ( 2x6)

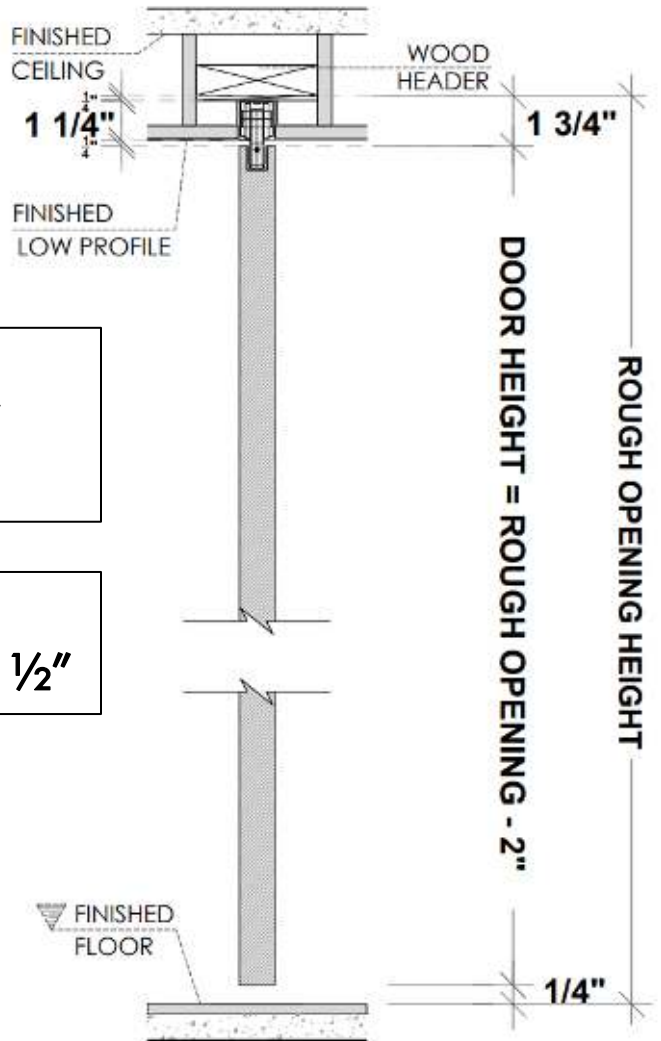
### 2.a Standard Application with 2x6 Frame and 1 5/8" Studs



**HAFELE Track**  
 $RO = DH$  (Door Height) + 2"  
 (from Finished Floor)

PLEASE ACCOUNT FOR FINISHED FLOOR FOR ALL MEASUREMENTS GIVEN TO DAYORIS

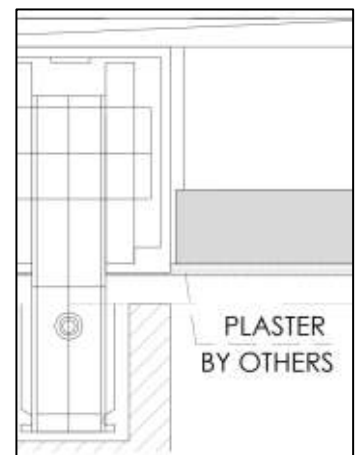
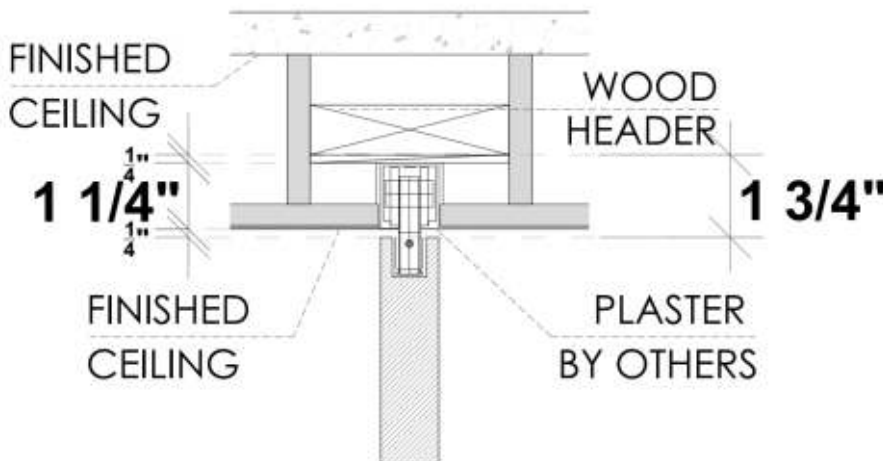
## 2.b Floor to Ceiling Application with 2x6 and 1 5/8" Studs



**HAFELE Track**  
 $RO = DH \text{ (Door Height)} + 2''$   
 (from Finished Floor)

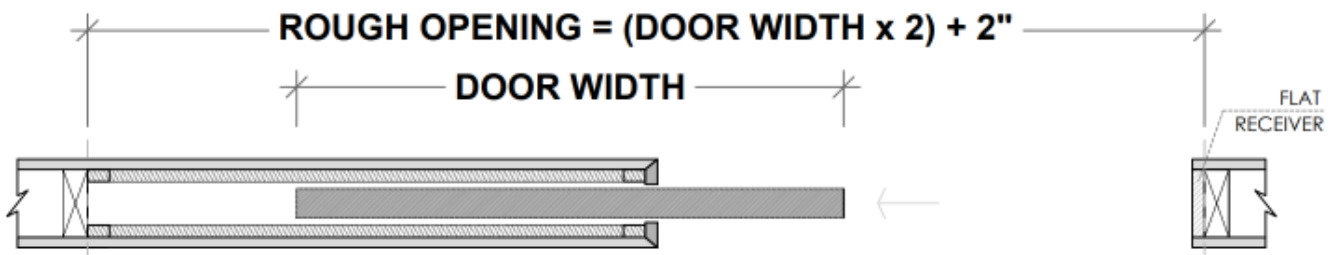
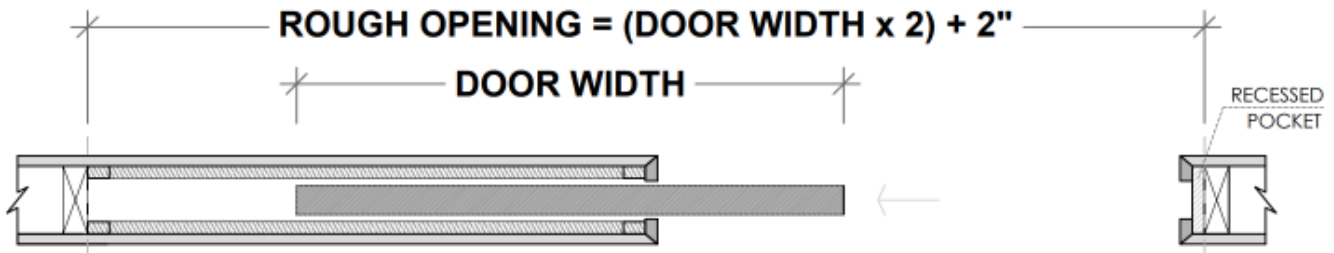
$DH \text{ (Door Height)} =$   
 Finished Floor to Finished Ceiling -  $1/2''$

**Support at 1 1/2" above finished ceiling**

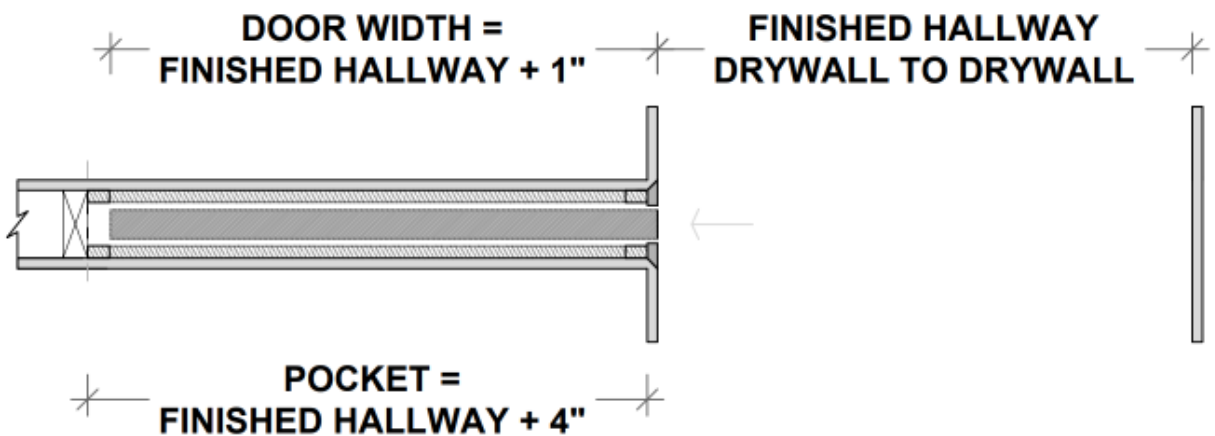


PLEASE ACCOUNT FOR FINISHED FLOOR FOR ALL MEASUREMENTS GIVEN TO DAYORIS

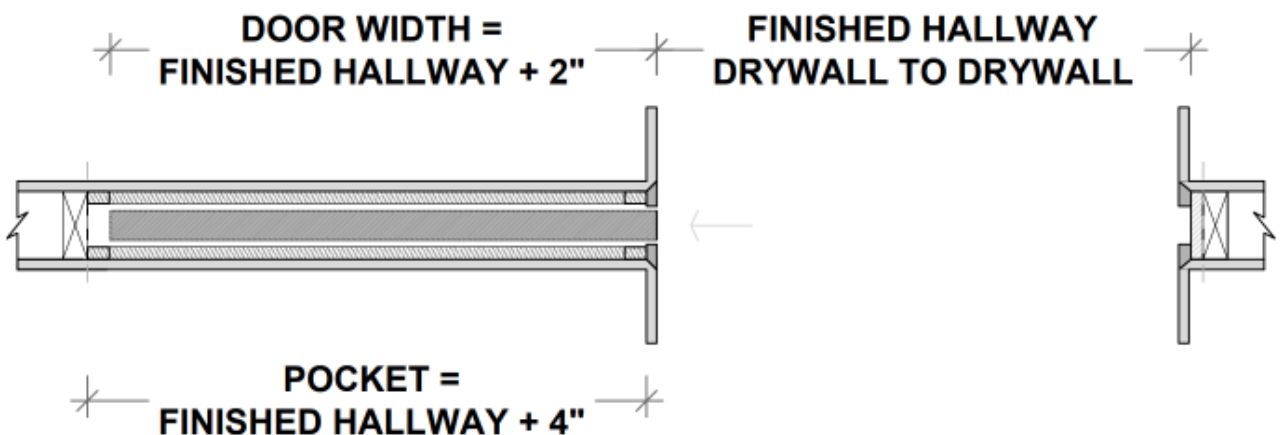
# Pocket Door Situations



## Hallway Detail 1

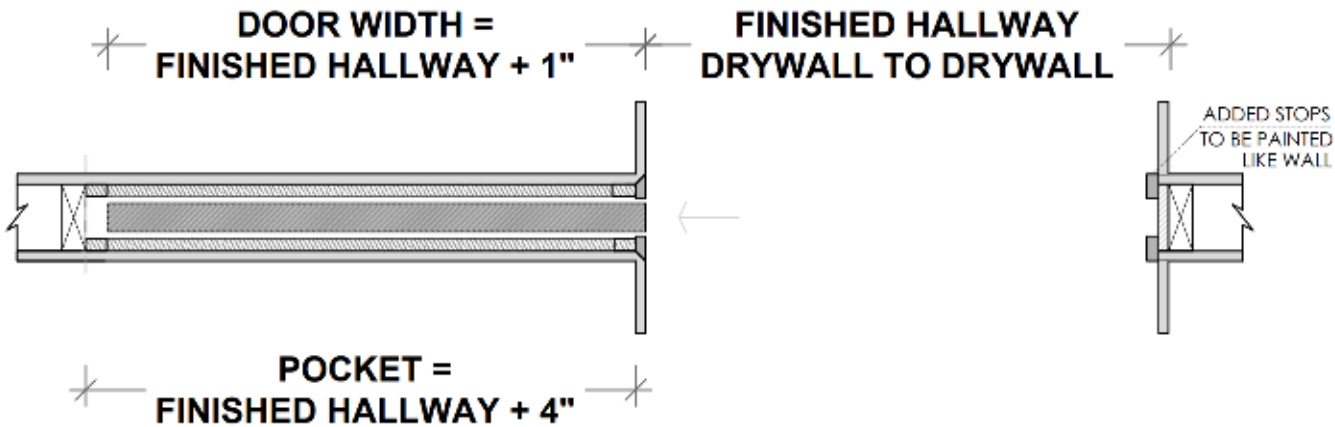


## Hallway Detail 2

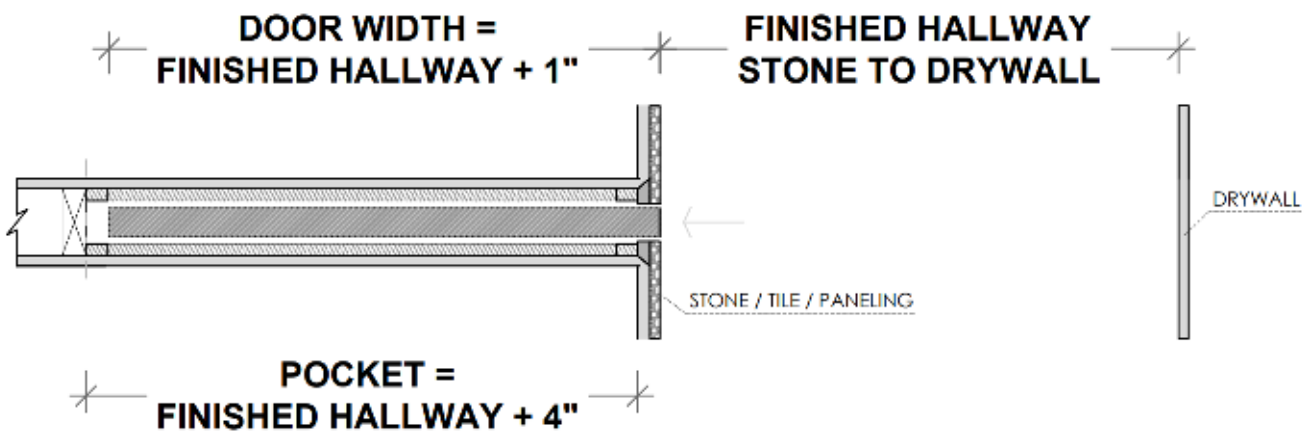


# Pocket Door Situations

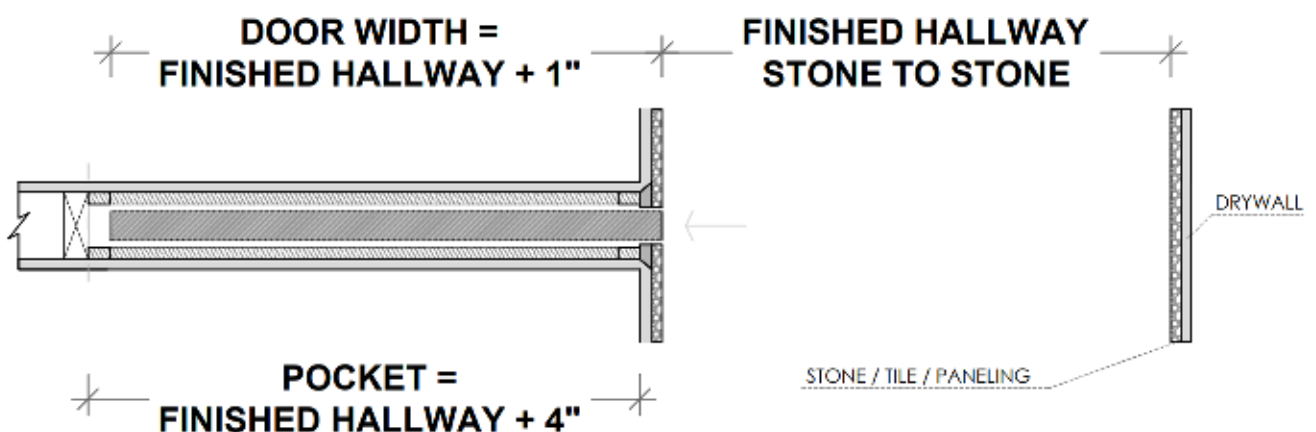
## Hallway Detail 3



## Hallway Detail 4 (with stone at one side)



## Hallway Detail 5 (with stone on both sides)

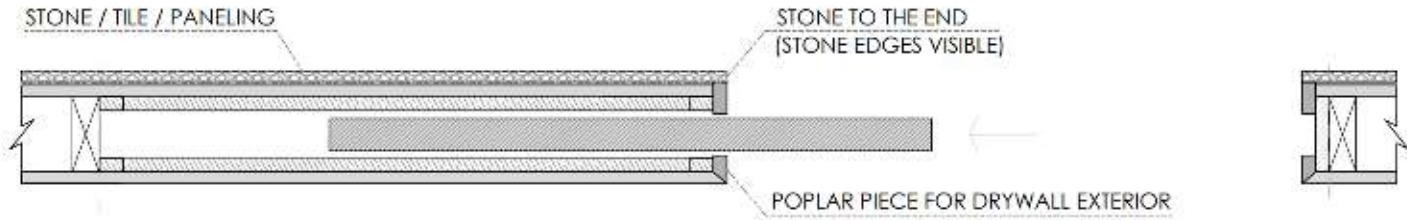




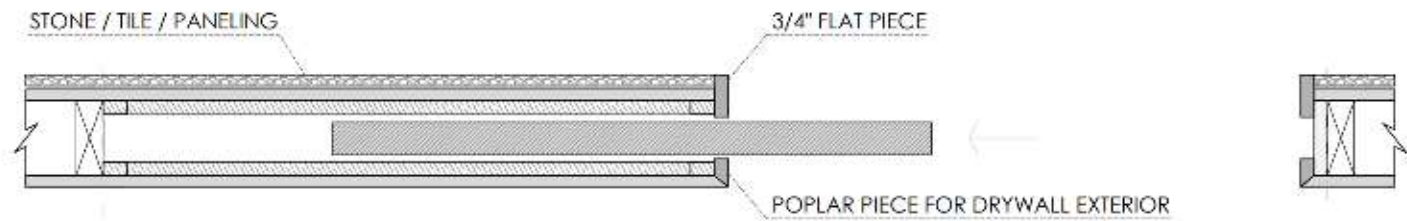
# Pocket Door Situations

## Pocket Doors in Conjunction with Stone / Tile / Paneling

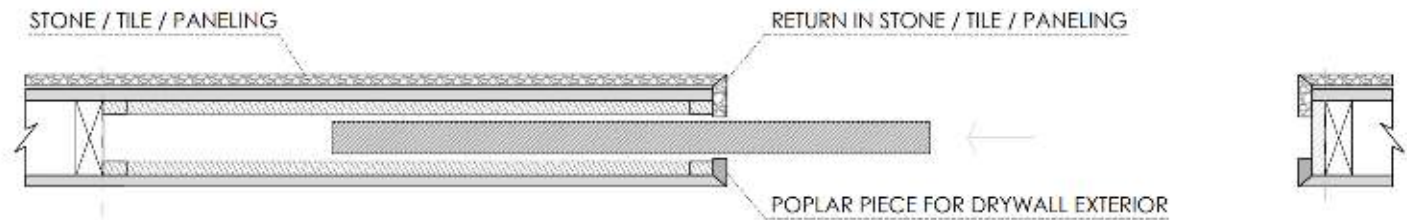
### Option A



### Option B



### Option C



## Hardware

### Pocket and Sliding Door Hardware

Satin

Polished



Black

