

Filo muro/ frameless, flush to the wall

PIVOT DOOR



Types of Applications



Finishes

Primed / Laminated Import

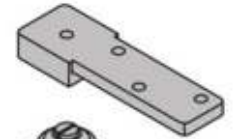
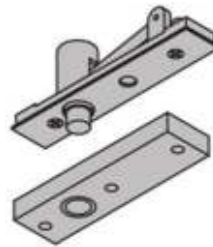
Laminated Suncrest / Matte Lacquer

Wood veneer

Ives Pivot Hinge

Ceiling / Header

Bottom of the Door



Door

Floor

What's included

Technical Specifications:

Solid Core Door Slab

Finish – Designer's choice

Hinges – IVES Pivot

Frame – Concealed aluminum

Handset – DAYORIS Italia

Mortise – Bonaiti Magnetic

Design – Designers Choice

Frame Profile Finishes



Clear Aluminum
Frame



Black Aluminum
Frame *

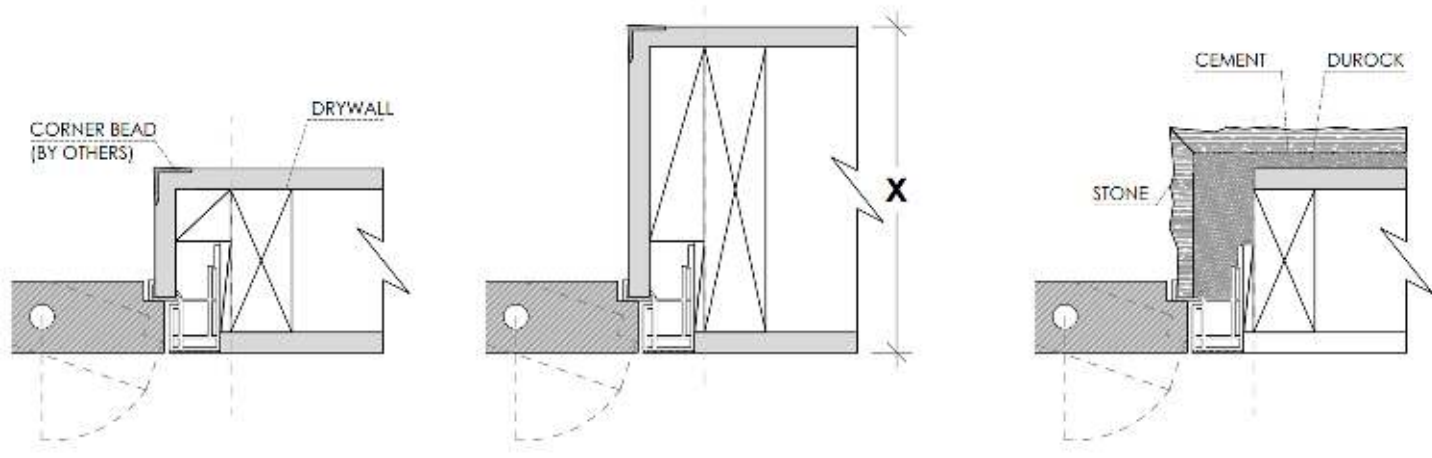
* Optional Upgrades

Benefits of Filo muro/ pivot door

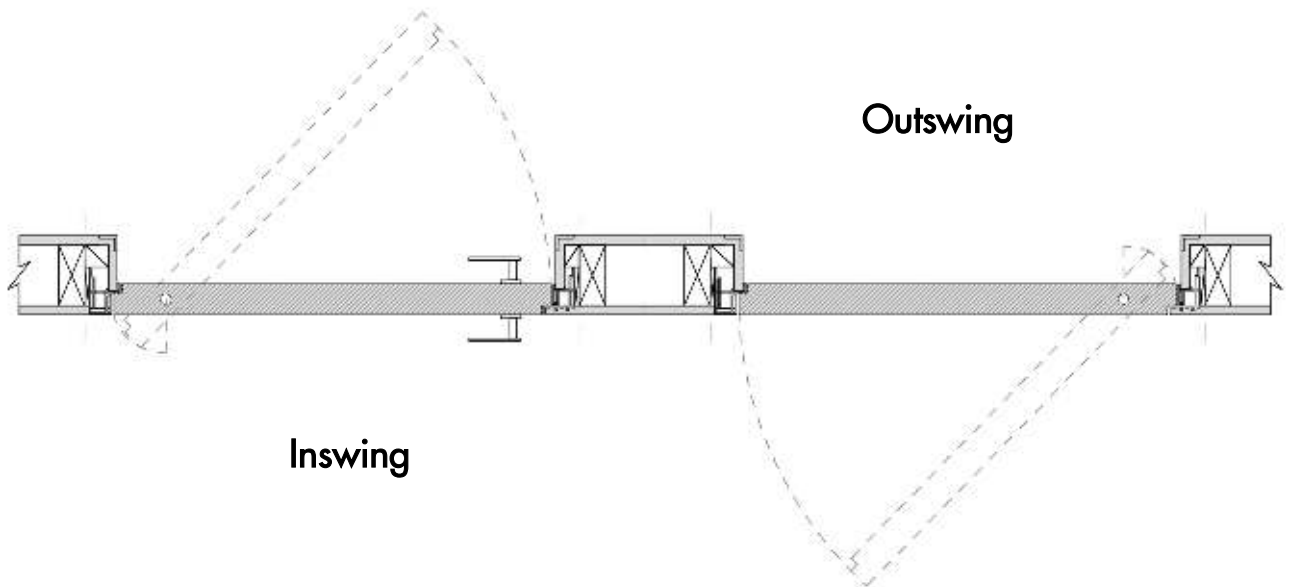
Drywall Return

Any Wall Thickness

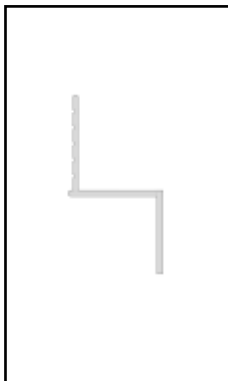
Stone Application on Jamb Return



Always flush on the outside of the wall regardless of the door swing.



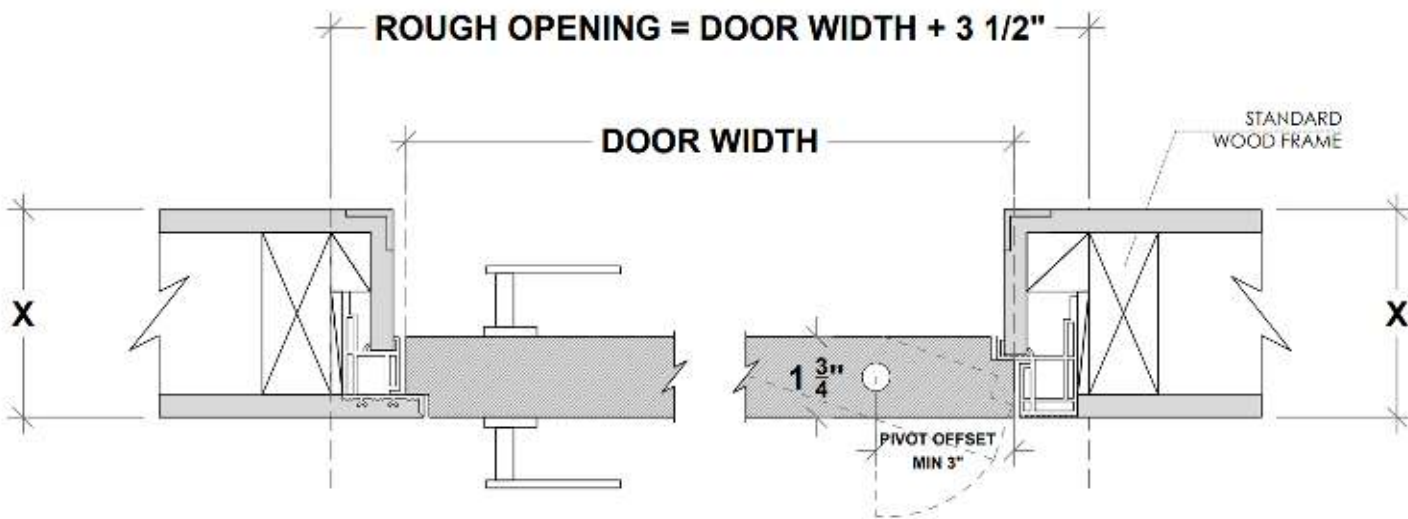
Works with 1/2" depth reglet (any height). Can be used with 5/8" drywall.



DEPTH	WIDTH	NON-VENTED
1/2"	1/8"	DRMZ-25-125
1/2"	1/4"	DRMZ-50-25
1/2"	3/8"	DRMZ-50-375
1/2"	1/2"	DRMZ-50-50
1/2"	5/8"	DRMZ-50-625
1/2"	3/4"	DRMZ-50-75
1/2"	1"	DRMZ-50-100
1/2"	1 1/2"	DRMZ-50-150
1/2"	2"	DRMZ-50-200

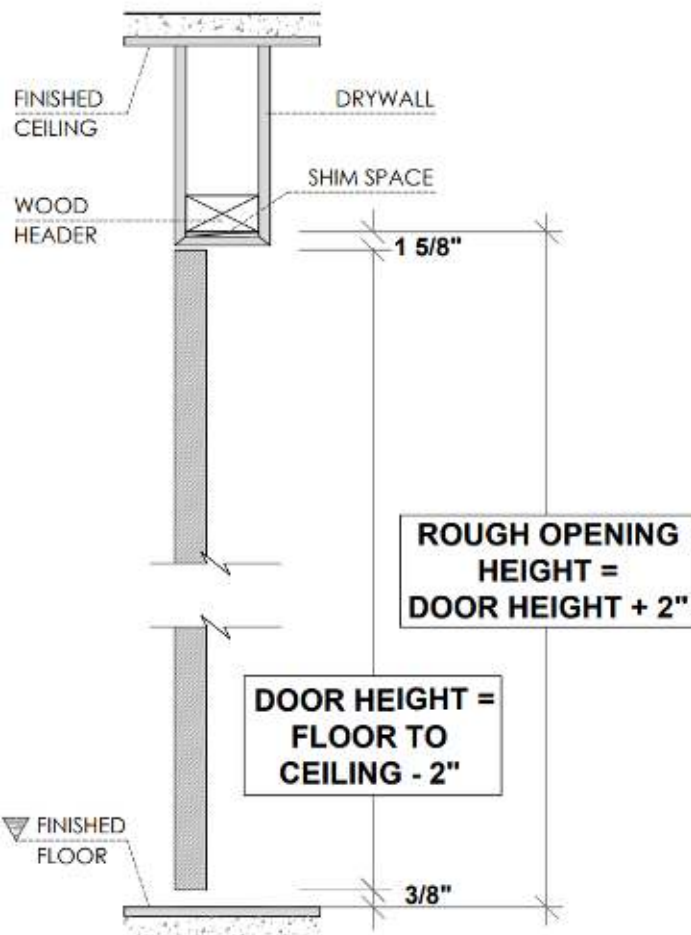
* Fry reglet for reference purposes only, not provided by Dayoris.

Framing Instructions Filo muro/ pivot door

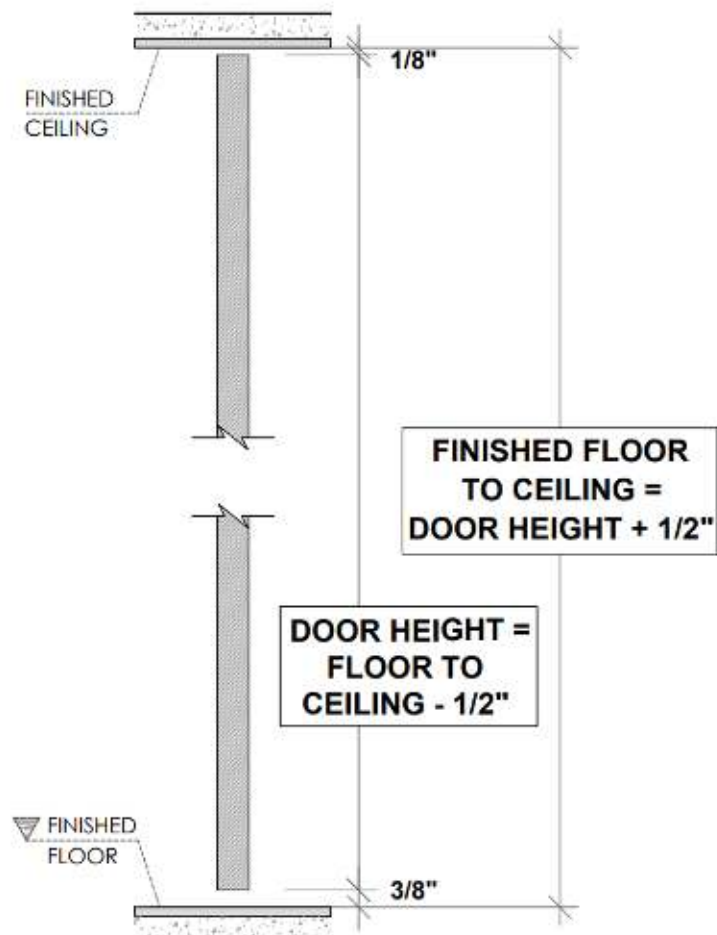


X = THE WALL CAN BE ANY THICKNESS
ALL OPENINGS MUST HAVE WOOD SUPPORT (2" x 4", 2" x 6", 2" x 8", ...)

Standard Application



Floor to Ceiling Application

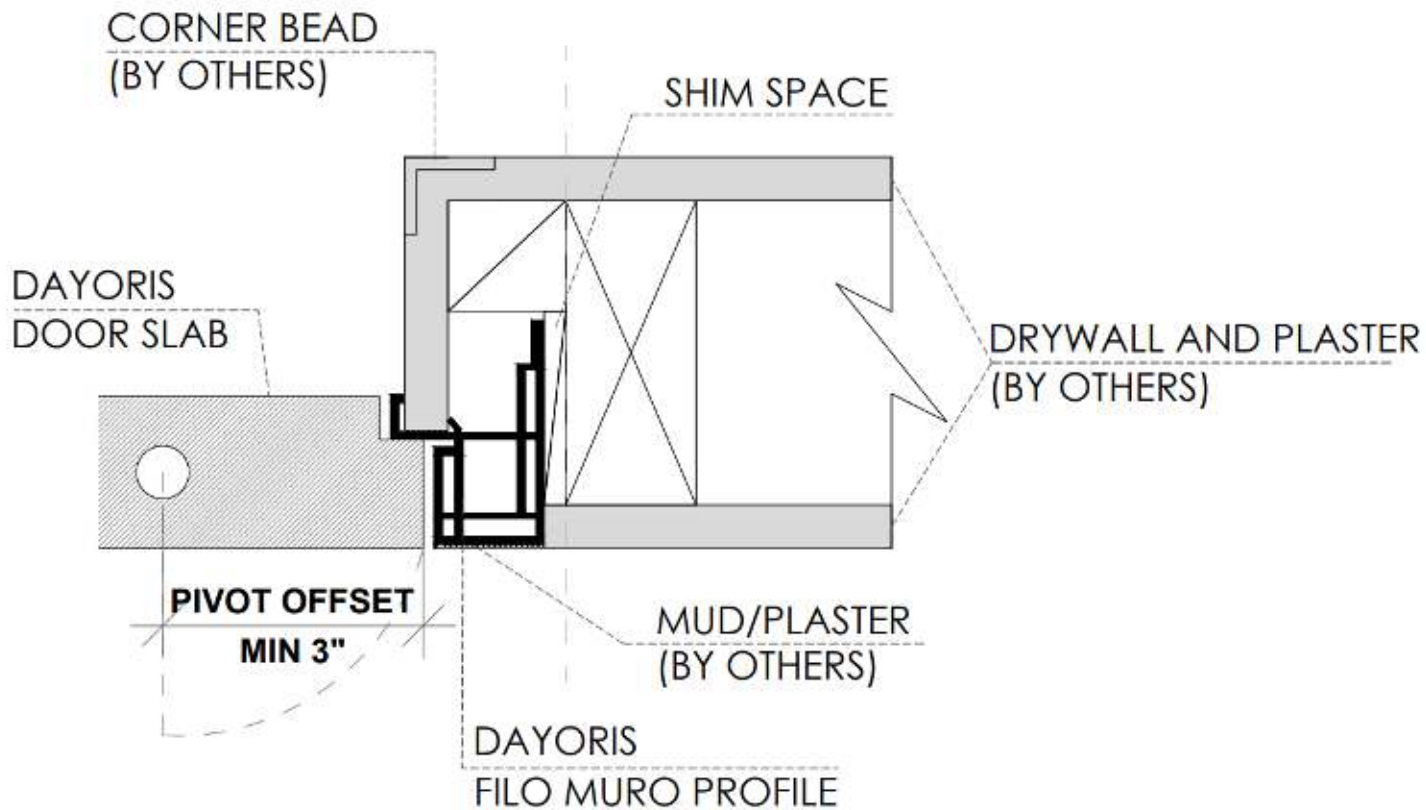
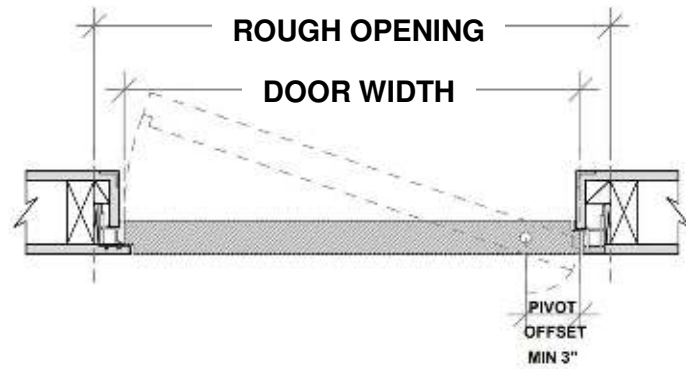
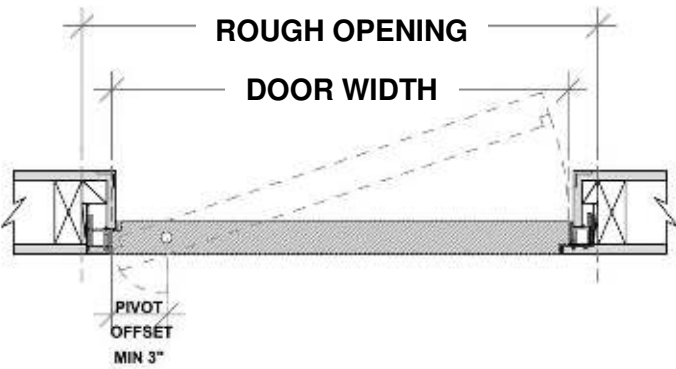


PLEASE ACCOUNT FOR FINISHED FLOOR FOR ALL MEASUREMENTS GIVEN TO DAYORIS.

Inswing Application

Left Hand Inswing

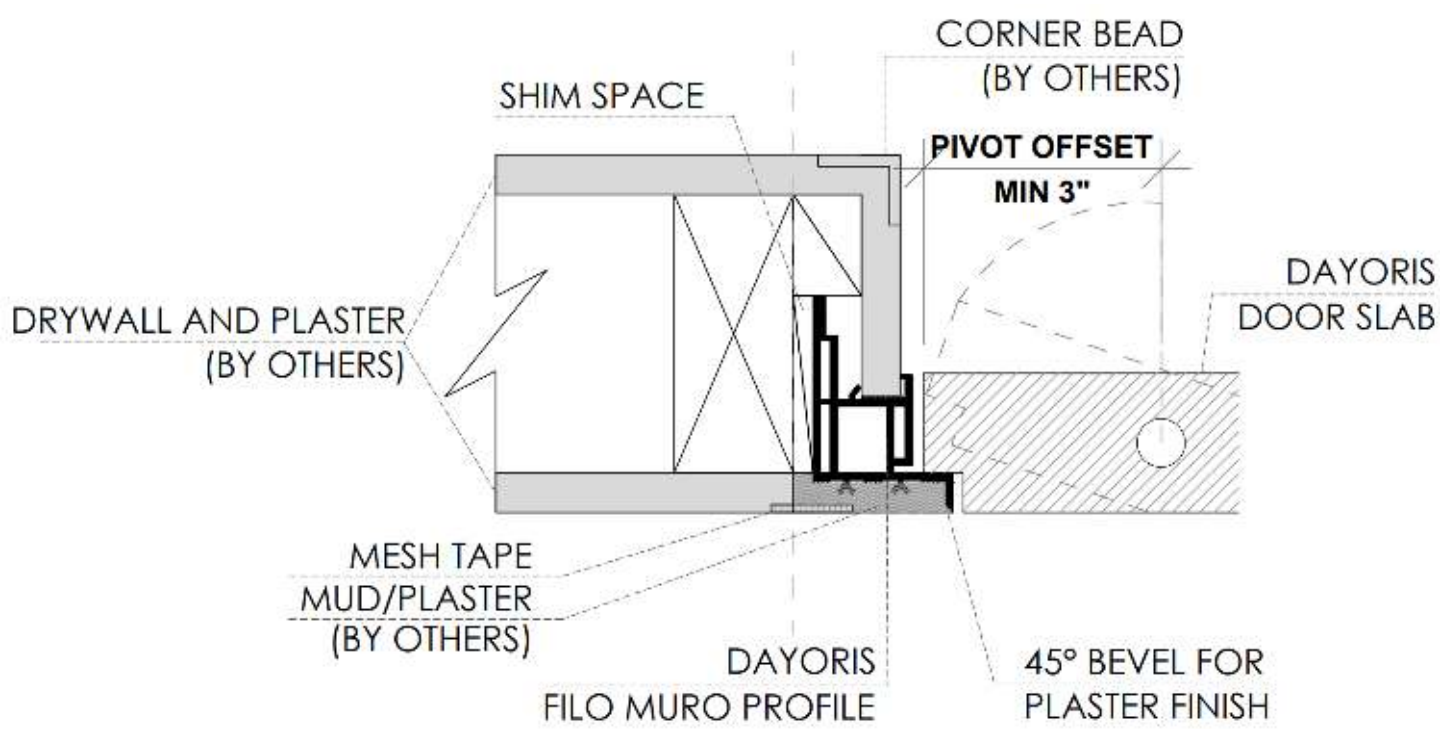
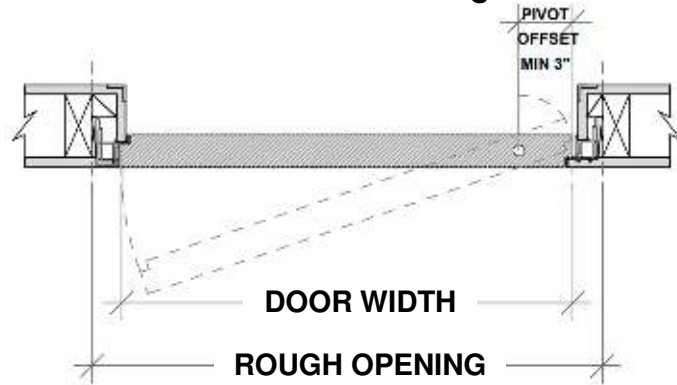
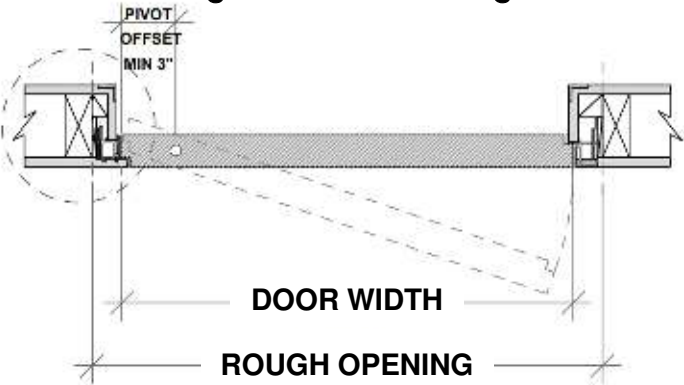
Right Hand Inswing



Outswing Application

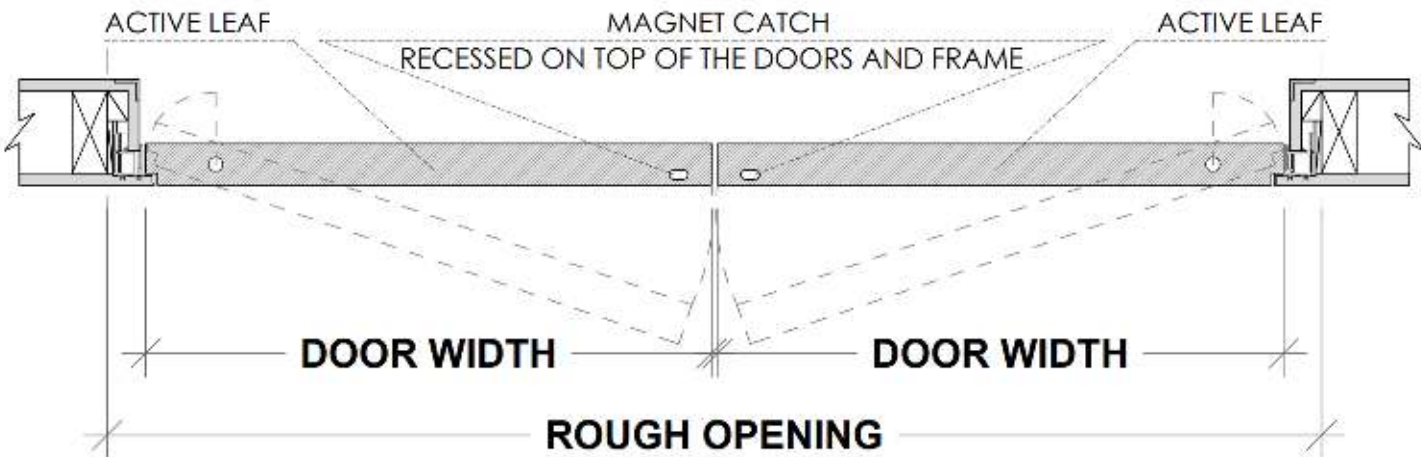
Right Hand Outswing

Left Hand Outswing

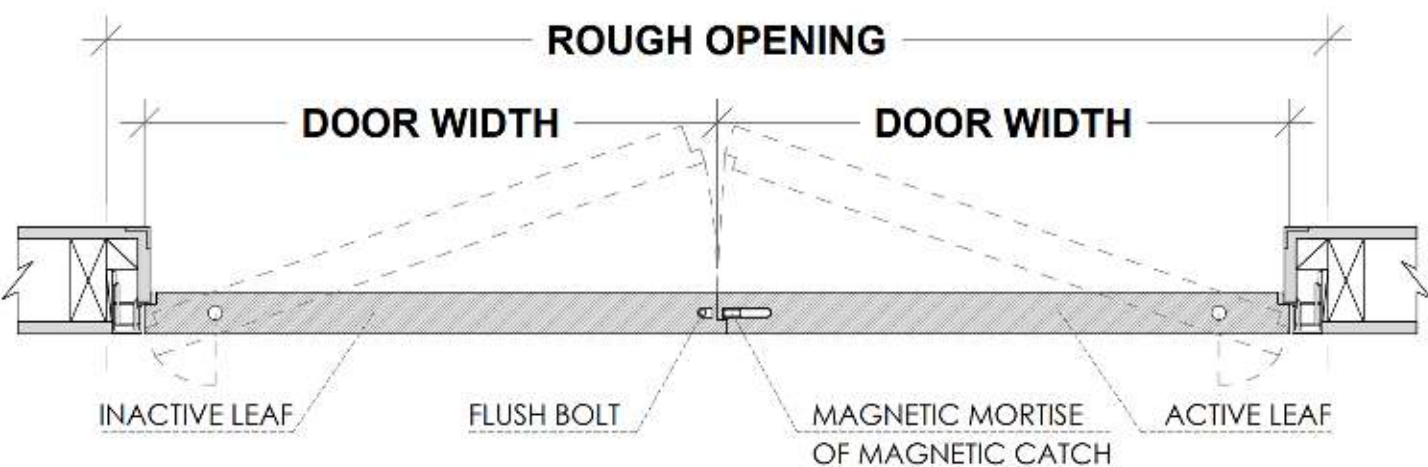


Double Door Applications

Double Dummy Application with top magnetic catch (both active)



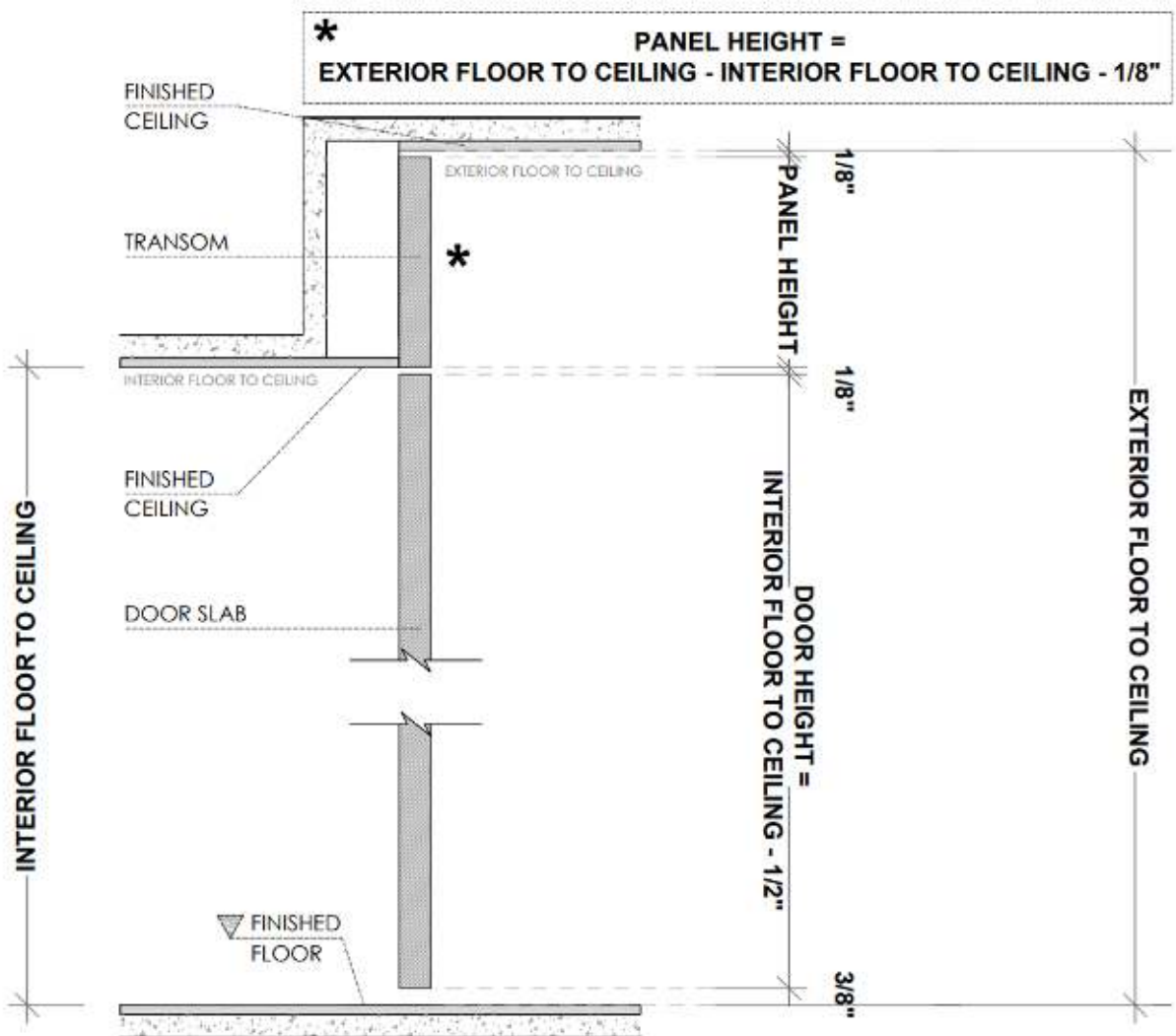
Active / Inactive Door with flush bolts



RHA (RIGHT HAND ACTIVE) SHOWN

$$\text{ROUGH OPENING} = (\text{DOOR WIDTH} \times 2) + 3 \frac{1}{2}"$$

Filo with Transom Application



Hardware



ROUND SATIN



SQUARE SATIN



FLAT ROUND SATIN



TWIST SATIN



ROUND POLISHED



SQUARE POLISHED



FLAT ROUND POLISHED



TWIST POLISHED



* ROUND BLACK



* SQUARE BLACK

Door Pull



ROUND POLISHED



ROUND SATIN



* ROUND BLACK



SQUARE POLISHED



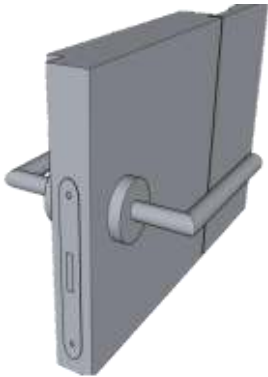
SQUARE SATIN



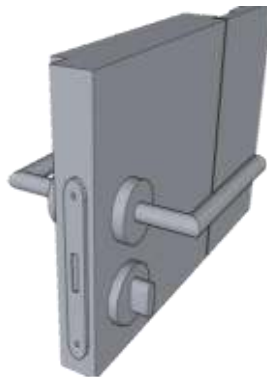
* SQUARE BLACK

* Optional Upgrades

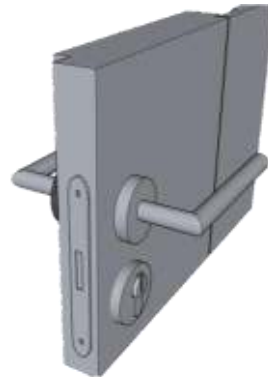
Lock Types for Pivot Doors with handles



Passage
Magnetic (PA)



Privacy
Magnetic (PV)

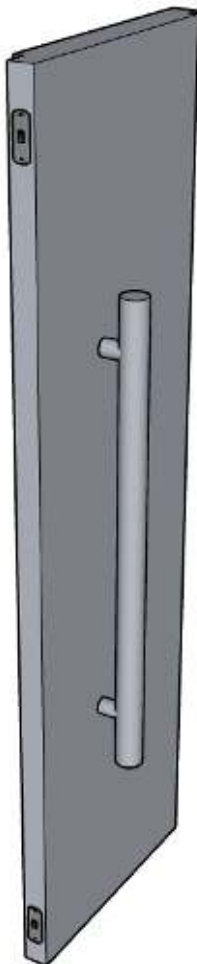


Keyed
Magnetic

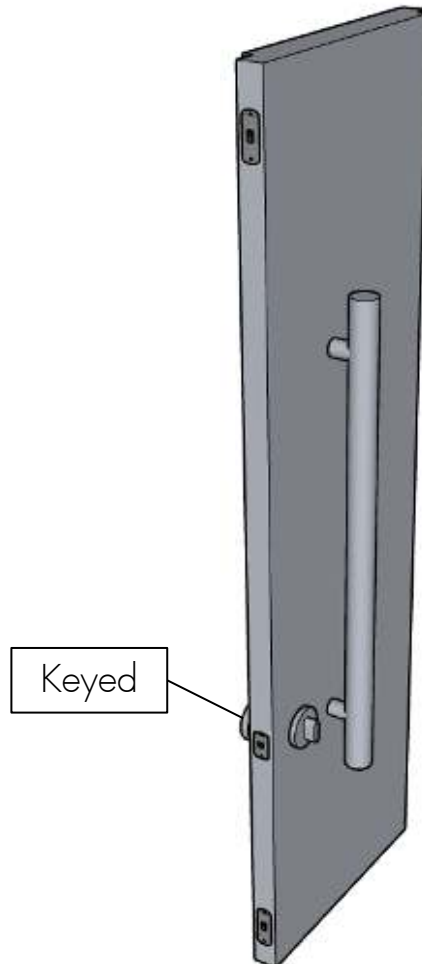


* Knife pull +
Magnet catch
(Outswing doors only)

Lock Types for Pivot Doors with pulls



Door Pull +
Magnet Catch +



Door Pull +
Magnet Catch + Dead Bolt