

Filo/ with casing

EURO BIFOLD DOOR



 **DAYORIS**
DOORS

Types of Applications



Finishes

- Primed / Laminated Import
- Laminated Suncrest / Matte Lacquer
- Wood veneer

Cabinet Knob



L Profile



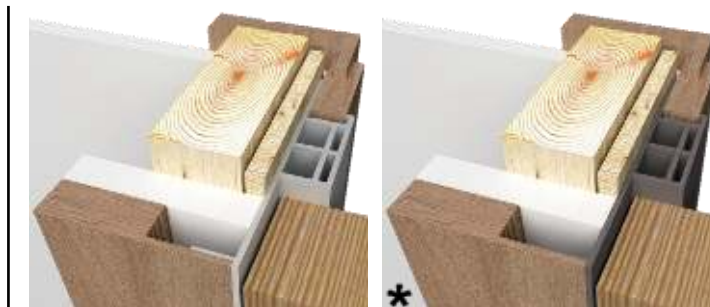
Cabinet Style Hinge



What's included

- Technical Specifications:
- 1" Solid Core MDF Door
- Finish – Designer's choice
- Frame – Concealed aluminum
- Design – Designers Choice

Frame Profile Finishes



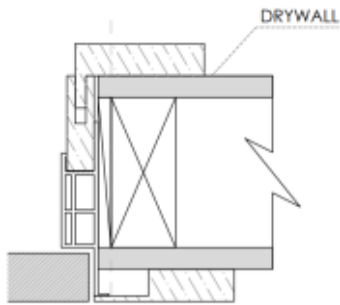
Clear Aluminum Frame

* Black Aluminum Frame

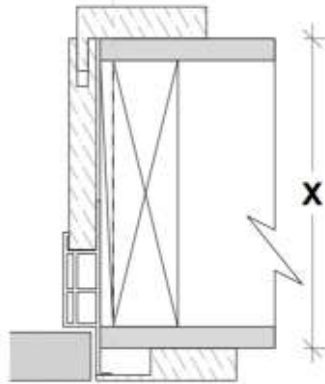
* Optional Upgrades

Benefits of Filo/ euro bifold door

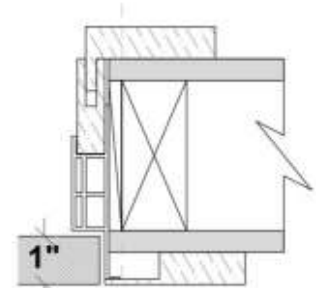
Drywall Return



Any Wall Thickness



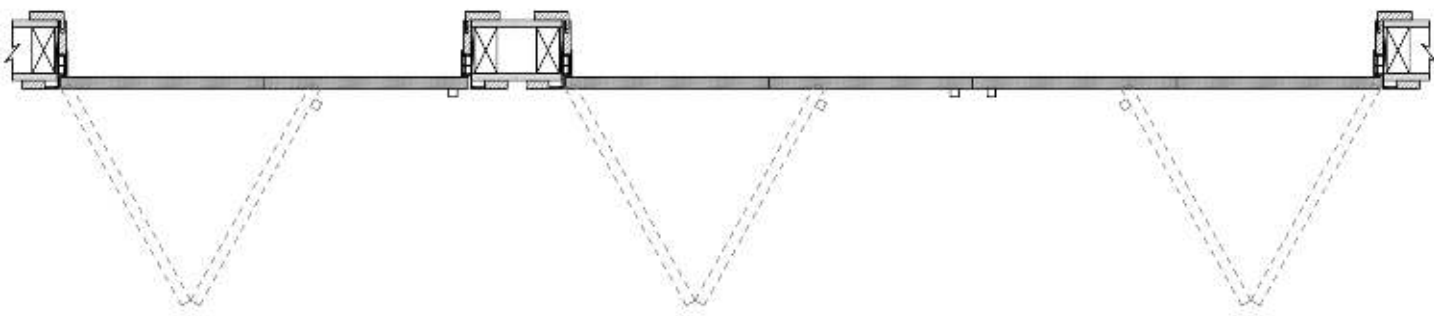
Lighter Door and Space saver



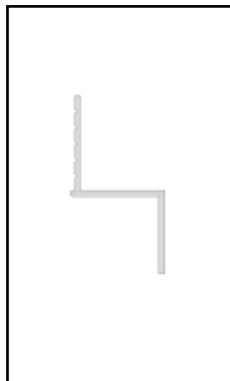
A thinner, economical application for non walk-in closets

Single

Double



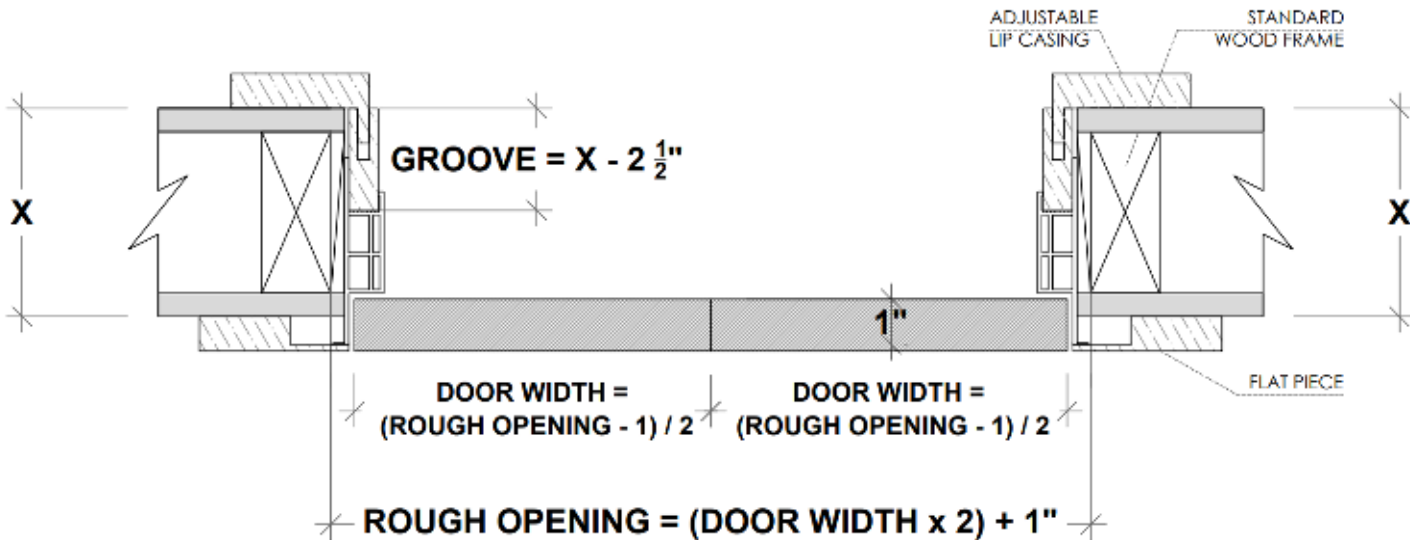
Works with 1/2" depth reglet (any height). Can be used with 5/8" drywall.



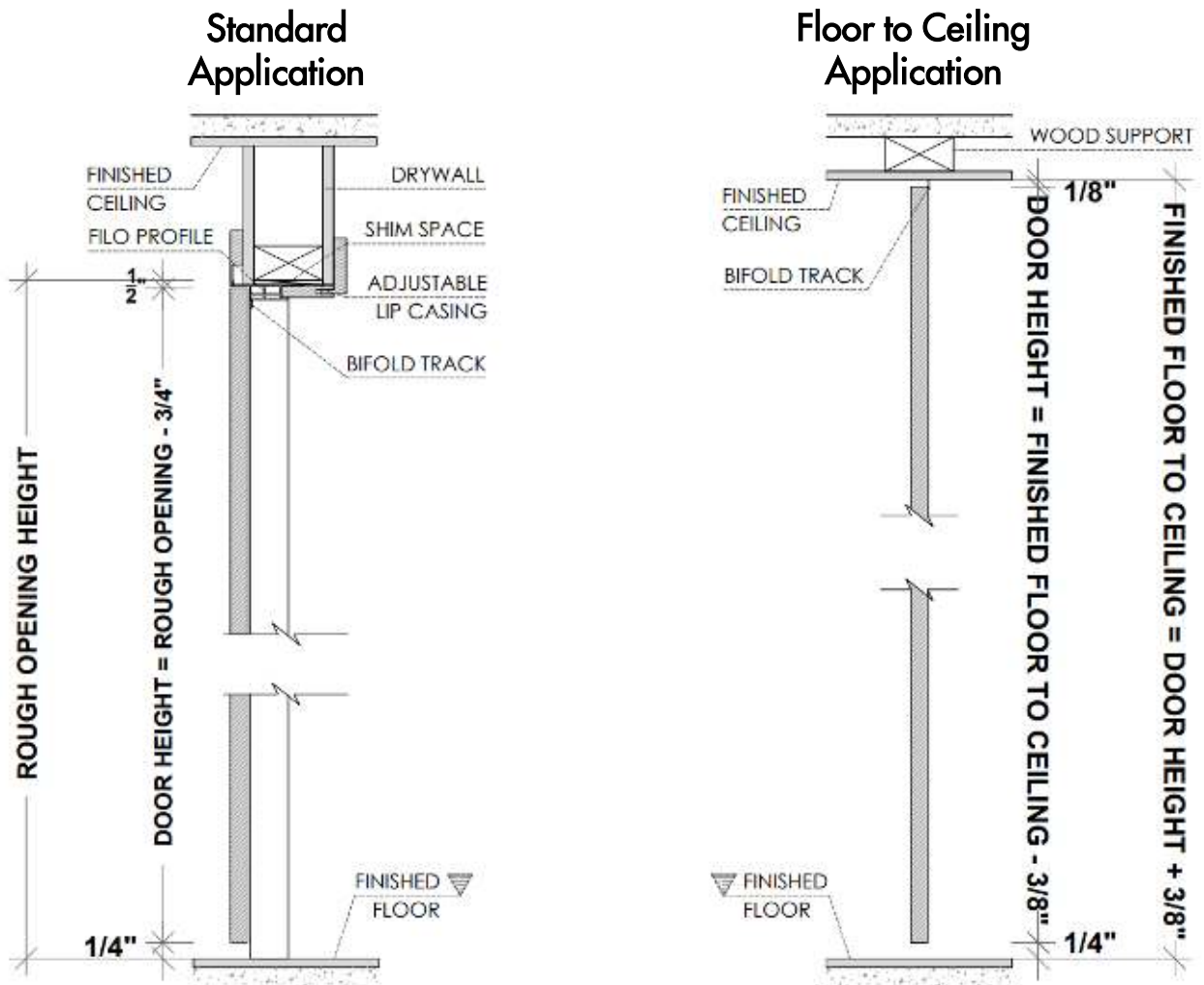
| DEPTH | WIDTH | NON-VENTED |
|-------|--------|-------------|
| 1/2" | 1/8" | DRMZ-25-125 |
| 1/2" | 1/4" | DRMZ-50-25 |
| 1/2" | 3/8" | DRMZ-50-375 |
| 1/2" | 1/2" | DRMZ-50-50 |
| 1/2" | 5/8" | DRMZ-50-625 |
| 1/2" | 3/4" | DRMZ-50-75 |
| 1/2" | 1" | DRMZ-50-100 |
| 1/2" | 1 1/2" | DRMZ-50-150 |
| 1/2" | 2" | DRMZ-50-200 |

* Fry reglet for reference purposes only, not provided by Dayoris.

Framing Instructions Filo/ euro bifold door



X = THE WALL CAN BE ANY THICKNESS
ALL OPENINGS MUST HAVE WOOD SUPPORT (2" x 4", 2" x 6", 2" x 8", ...)

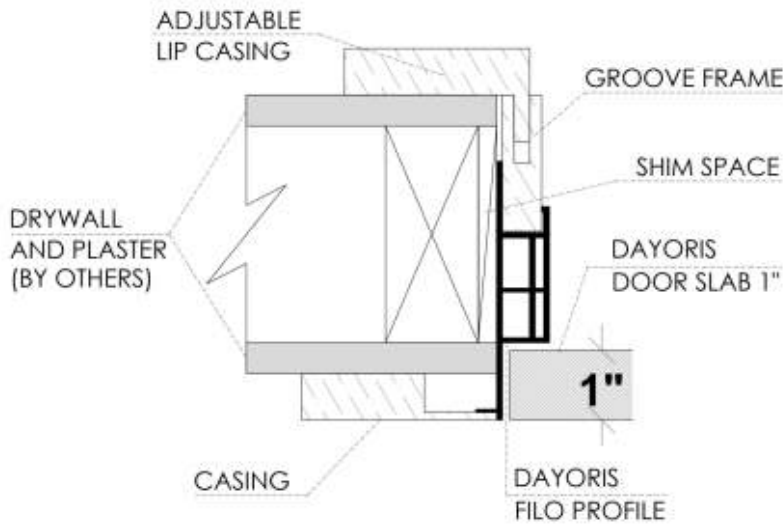
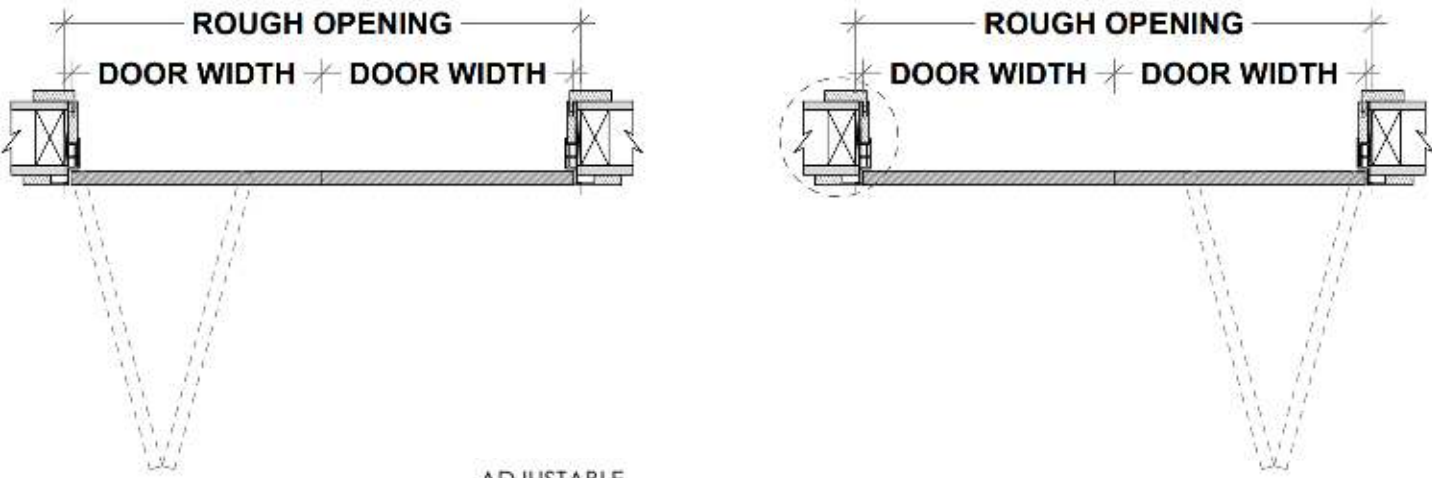


PLEASE ACCOUNT FOR FINISHED FLOOR FOR ALL MEASUREMENTS GIVEN TO DAYORIS.

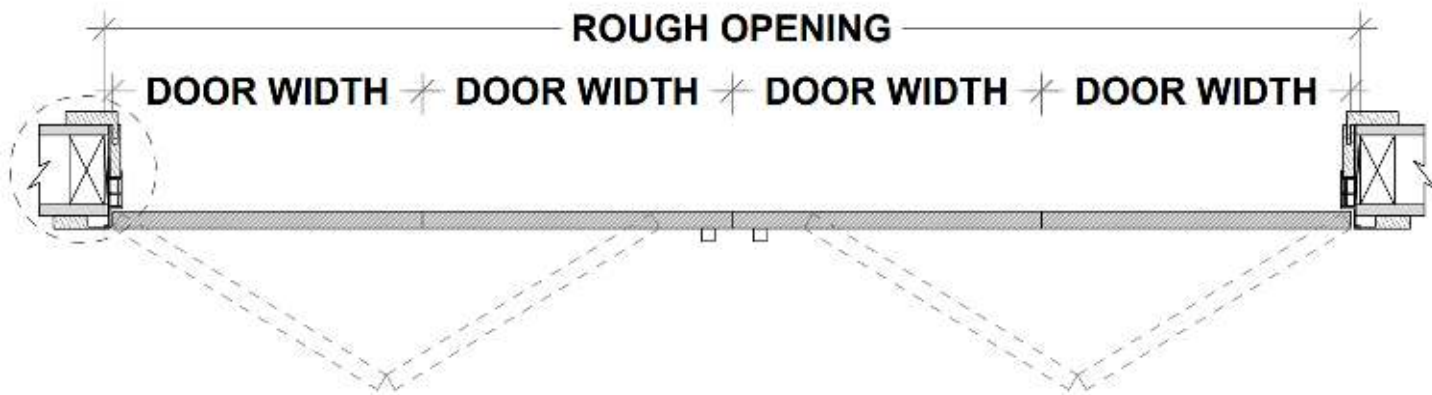
Outswing Application (bifold door only available outswing)

Right Hand Outswing

Left Hand Outswing



Double Door Applications



$$\text{DOOR WIDTH} = (\text{ROUGH OPENING} - 1") / 4$$

$$\text{ROUGH OPENING} = (\text{DOOR WIDTH} \times 4) + 1"$$

Flush with Drywall with Floating Reveal Application

