

Filo muro/ frameless, flush to the wall

EURO BIFOLD DOOR



DAYORIS
DOORS

Types of Applications



Finishes

- Primed / Laminated Import
- Laminated Suncrest / Matte Lacquer
- Wood veneer

Cabinet Knob



L Profile



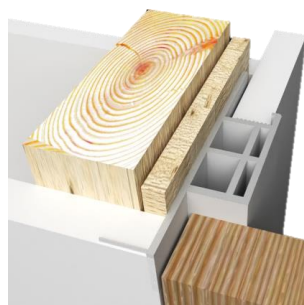
Cabinet Style Hinge



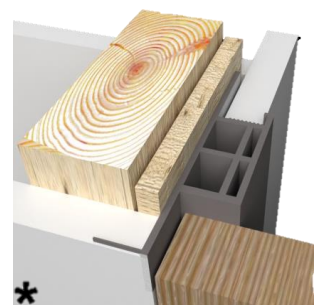
What's included

Technical Specifications:
 1" Solid Core MDF Door
 Finish – Designer's choice
 Frame – Concealed aluminum
 Design – Designers Choice

Frame Profile Finishes



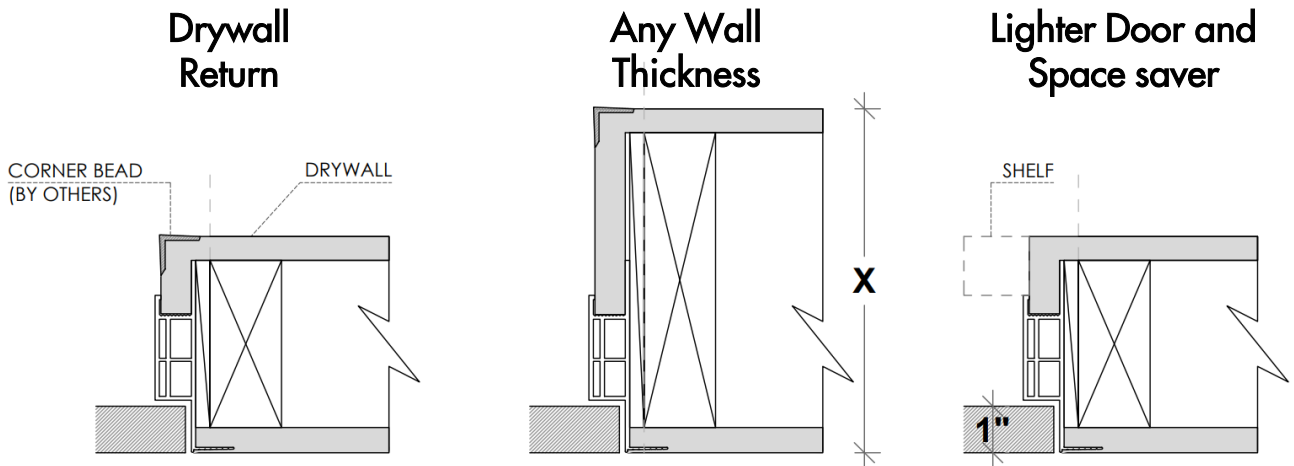
Clear Aluminum Frame



* Black Aluminum Frame

* Optional Upgrades

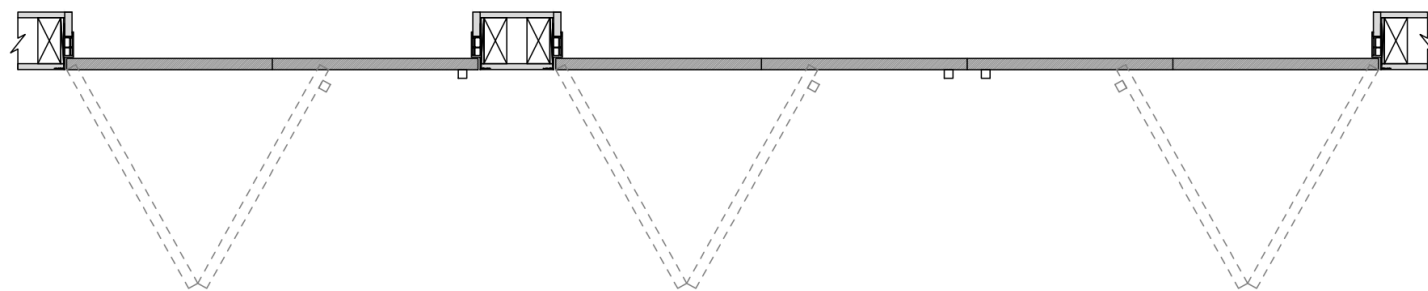
Benefits of Filo muro/ bifold door



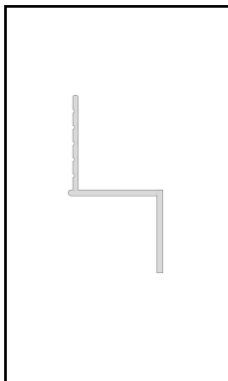
A thinner, economical application for non walk-in closets

Single

Double



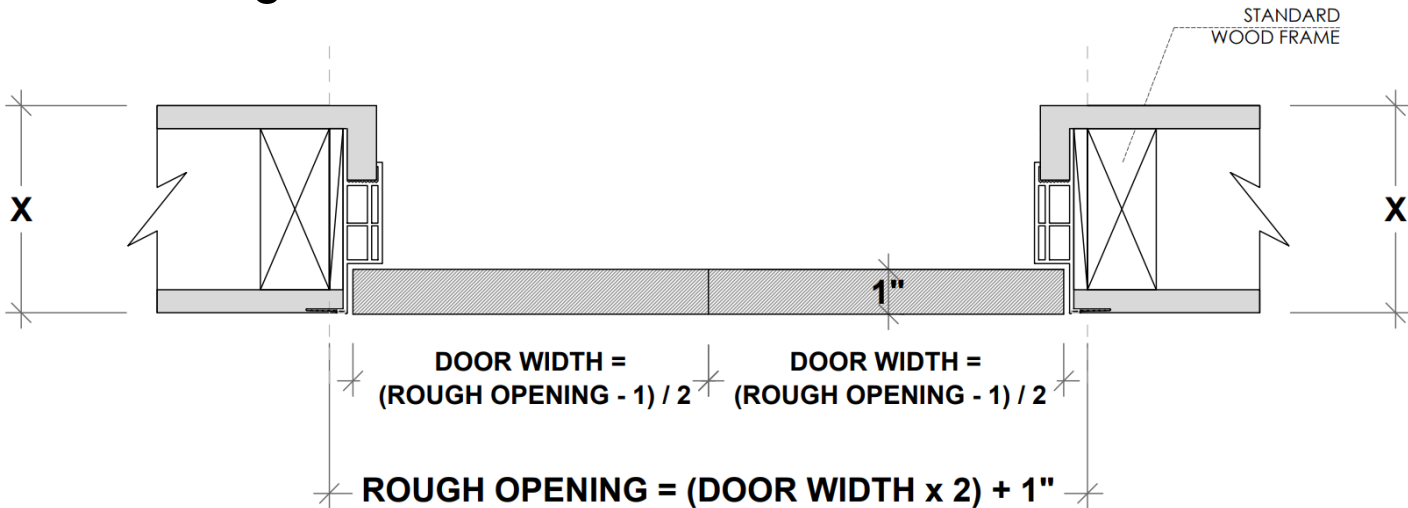
Works with 1/2" depth reglet (any height). Can be used with 5/8" drywall.



DEPTH	WIDTH	NON-VENTED
1/2"	1/8"	DRMZ-25-125
1/2"	1/4"	DRMZ-50-25
1/2"	3/8"	DRMZ-50-375
1/2"	1/2"	DRMZ-50-50
1/2"	5/8"	DRMZ-50-625
1/2"	3/4"	DRMZ-50-75
1/2"	1"	DRMZ-50-100
1/2"	1 1/2"	DRMZ-50-150
1/2"	2"	DRMZ-50-200

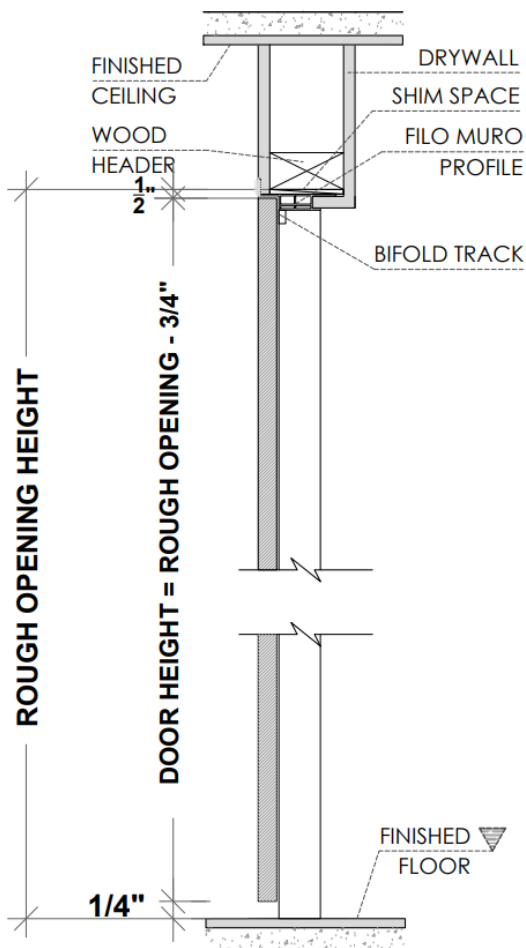
* Fry reglet for reference purposes only, not provided by Dayoris.

Framing Instructions Filo muro/ bifold door

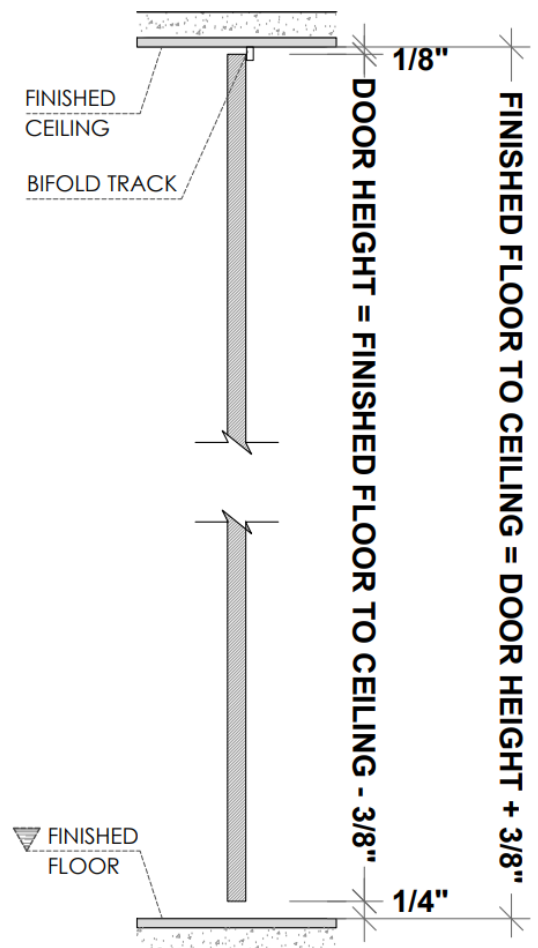


X = THE WALL CAN BE ANY THICKNESS
ALL OPENINGS MUST HAVE WOOD SUPPORT (2" x 4", 2" x 6", 2" x 8", ...)

Standard Application



Floor to Ceiling Application

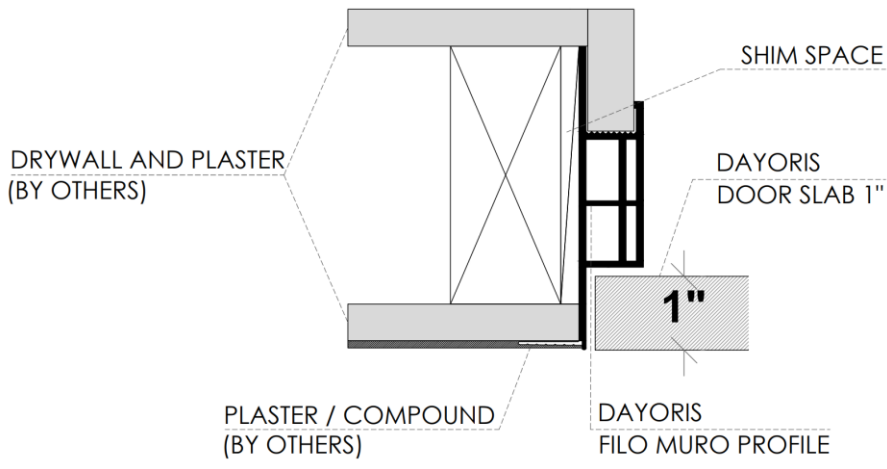
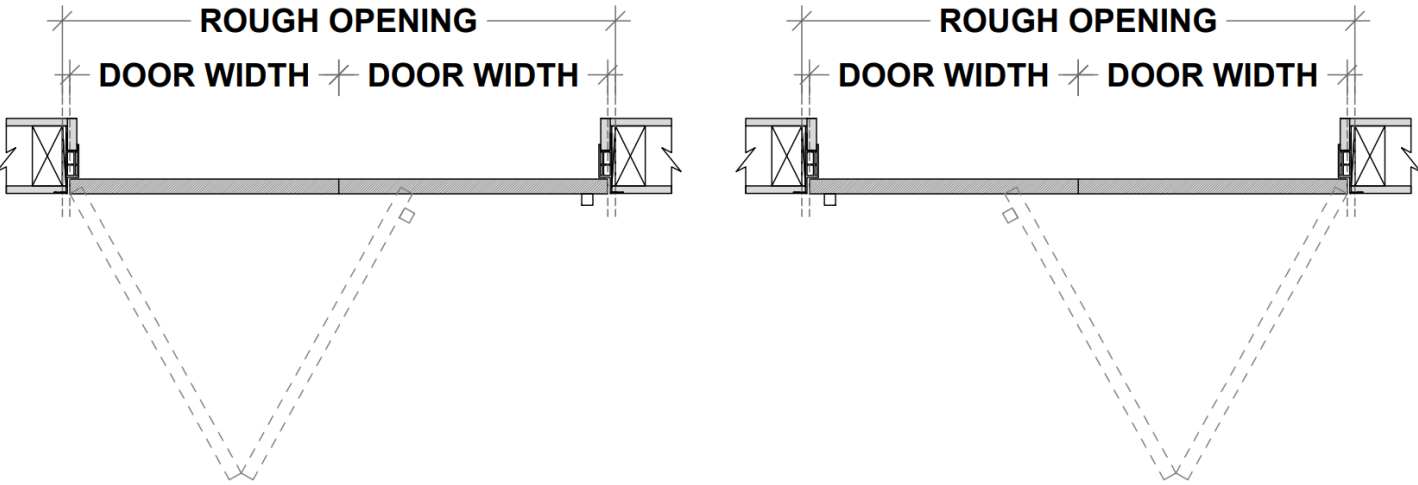


PLEASE ACCOUNT FOR FINISHED FLOOR FOR ALL MEASUREMENTS GIVEN TO DAYORIS.

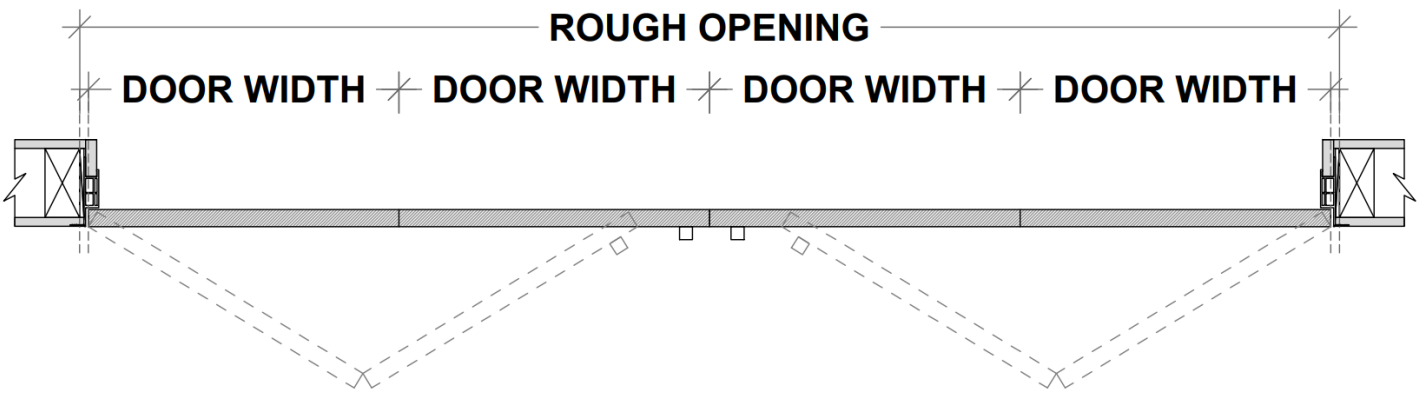
Outswing Application (bifold door only available outswing)

Right Hand Outswing

Left Hand Outswing



Double Door Applications



$$\text{DOOR WIDTH} = (\text{ROUGH OPENING} - 1") / 4$$

$$\text{ROUGH OPENING} = (\text{DOOR WIDTH} \times 4) + 1"$$