

**Filo/** with casing

BYPASS DOOR



 **DAYORIS**  
DOORS

# Types of Applications



## Finishes

- Primed / Laminated Import
- Laminated Suncrest / Matte Lacquer
- Wood veneer

## What's included

- Technical Specifications:
- Solid Core Door Slab
- Finish – Designer's choice
- Design – Designers Choice

## Hardware



Satin



Polished



Black

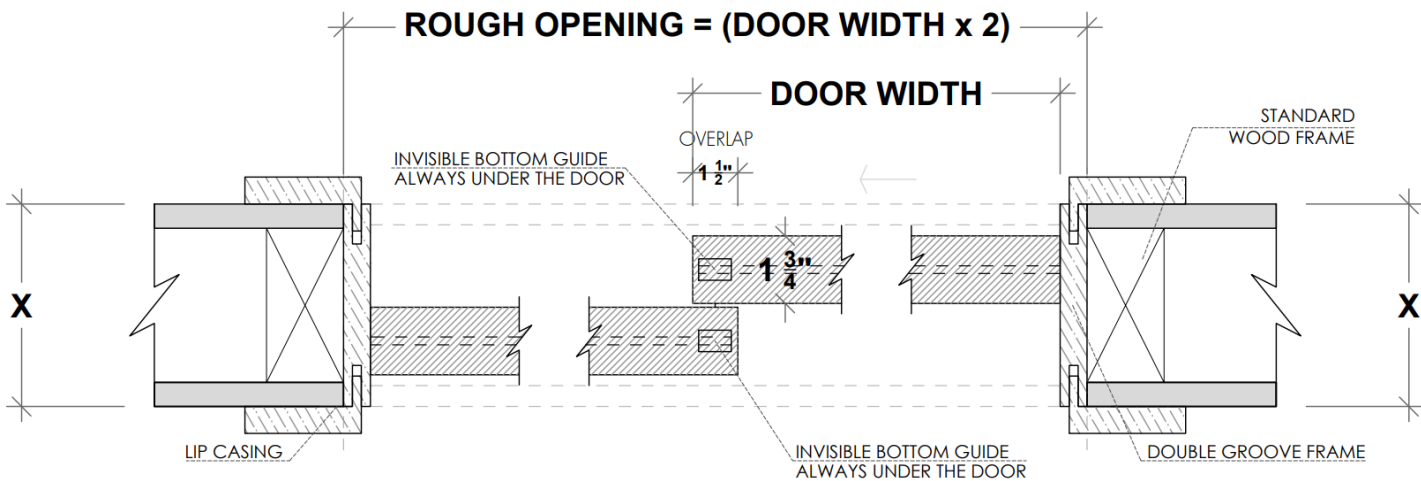
## Application



Standard Application

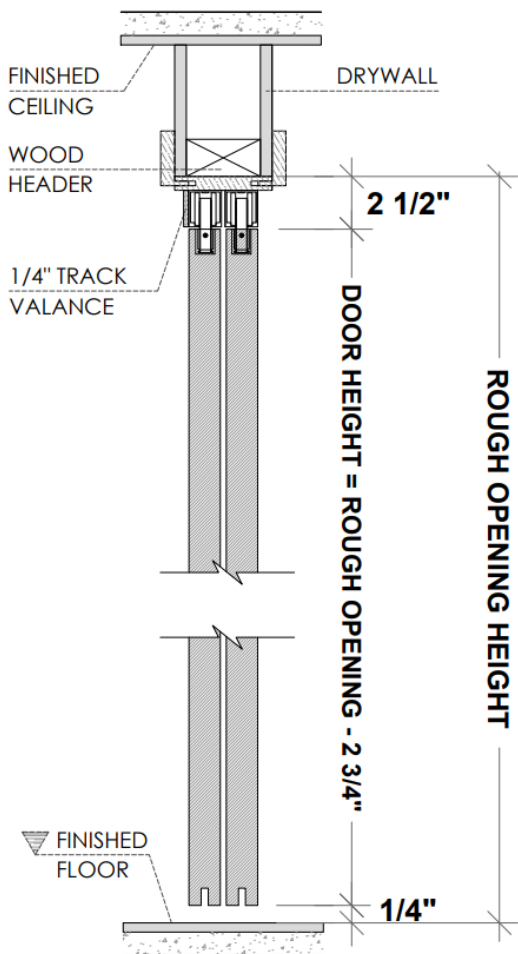
\* Optional Upgrade

# Framing Instructions Filo/ bypass door

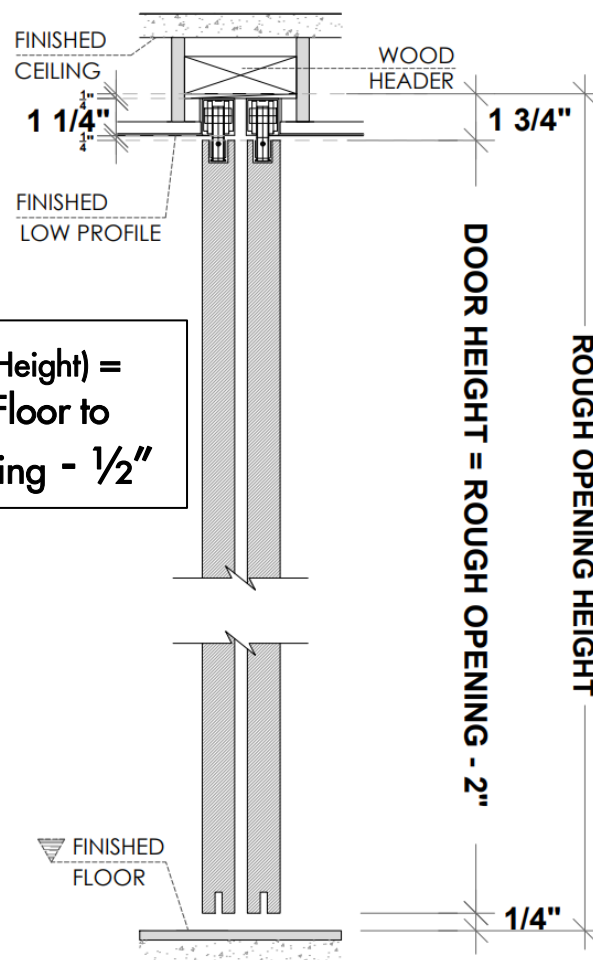


**X = THE WALL CAN BE ANY THICKNESS  
ALL OPENINGS MUST HAVE WOOD (2" x 4")**

## Floor to Header Application



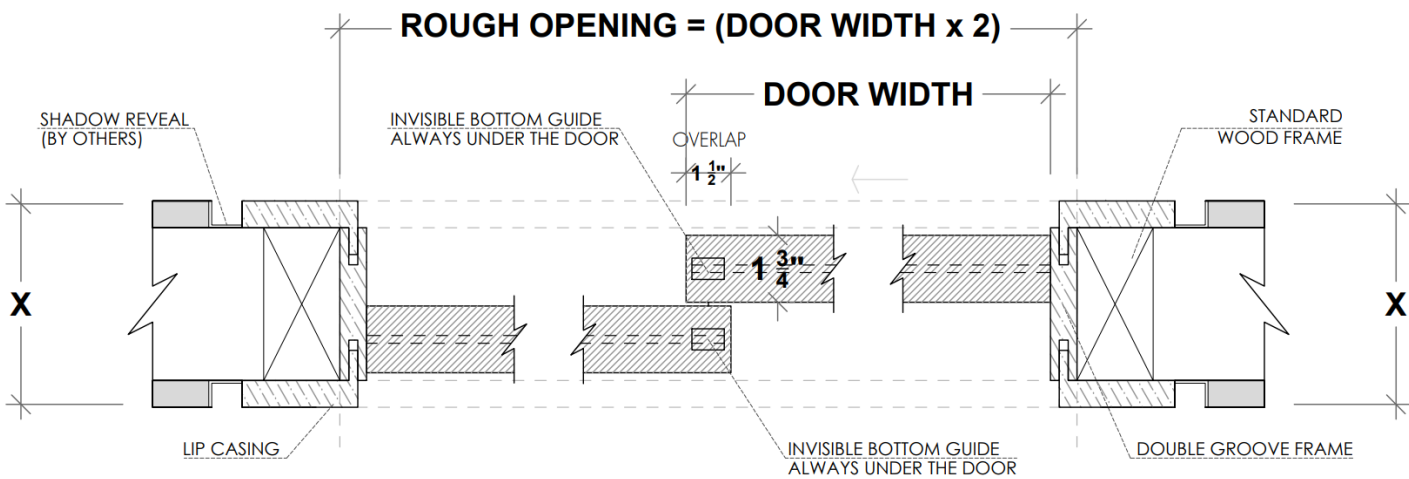
## Floor to Ceiling Application



**DH (Door Height) =  
Finished Floor to  
Finished Ceiling -  $1/2''$**

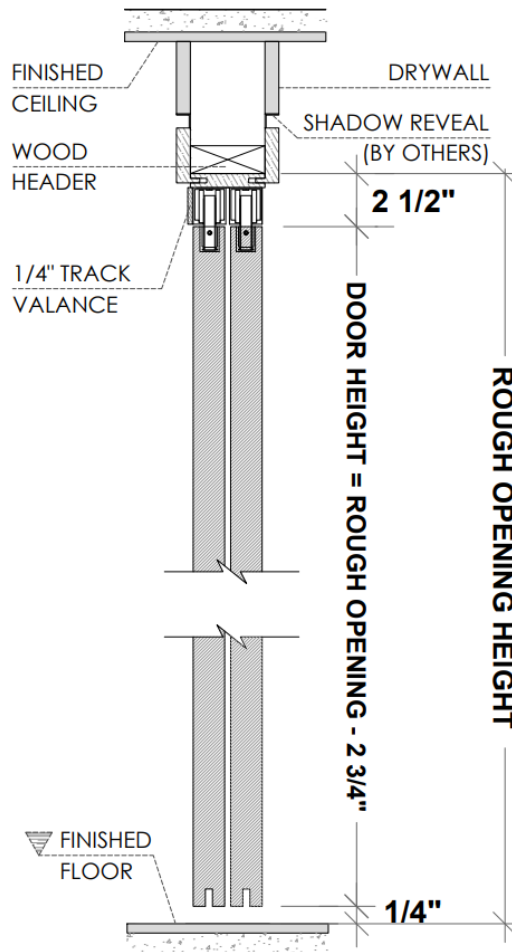
**PLEASE ACCOUNT FOR FINISHED FLOOR FOR ALL MEASUREMENTS GIVEN TO DAYORIS**

# Framing Instructions Filo/ bypass door with floating reveal



**X = THE WALL CAN BE ANY THICKNESS  
ALL OPENINGS MUST HAVE WOOD (2" x 4")**

## Floor to Header Application



**PLEASE ACCOUNT FOR FINISHED FLOOR FOR ALL MEASUREMENTS GIVEN TO DAYORIS**